

■ Features

- Single output to 600W
- Input voltage range: 90-264V
- Configurable outputs
- Wide output voltage adjustment range
- 3"x5" Form Factor
- Efficiency to 89%
- Constant current or voltage operation
- Parallel & series connection of modules
- Intelligent fan control
- User and field configurable
- 2-year Warranty



*Product images are for illustrative purposes only and may vary from actual design.

[2D model](#)
[Remote Voltage and Current Control](#)

■ Applications

- Suitable for critical applications

■ Technical Data

AC Input Voltage	90-264Vac
AC Input Frequency	47-63Hz; 50/60Hz typical
DC Input Voltage	120-370Vdc
Output Power Rating	600Watts
Input Current	600W output at 120Vac input; 6A
Input Current Limit	8A
Inrush Current	265Vac, 25°C(cold start); 20A
Fusing	Each line fused (5x20 Fast acting); 8A
Efficiency	86%-89%
No Load Power Consumption	All output fitted and disabled/enabled; 21/28W
Power Factor	0.96, 0.99
Hold up	600W output@120Vac input Min.: 17mS, Typ.:20mS, Max.: 21mS
UVLO	Turn on under voltage protection 78-84Vac
Over Temperature	Internally monitored 115-125°C
Reliability	40° 80% load 2 FPMH
Size	77x133.7x41mm
Weight	360+60(per output module)
Mounting	Bottom or side mounting(see diagram for details)

■ Installation

Parameter	Details	Parameter	Details
Equipment Class	I	Flammability rating	94V-2
Installation category	II	IP rating	IP10
Pollution degree	2	ROHS Compliance	2002/95/EC
Material group	IIIb (indoor use only)		

Technical Sales / Customer Service: +1-818-338-7788 • Email: sales@autec.com
31328 Via Colinas Suite 102 • Westlake Village, CA 91362 USA • www.autec.com

■ Global Signals Specifications

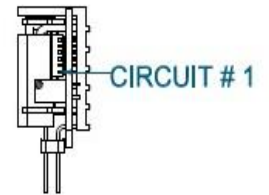
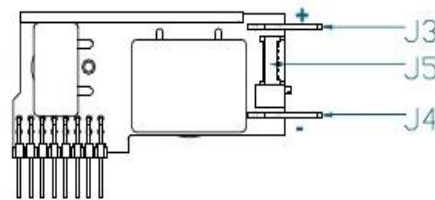
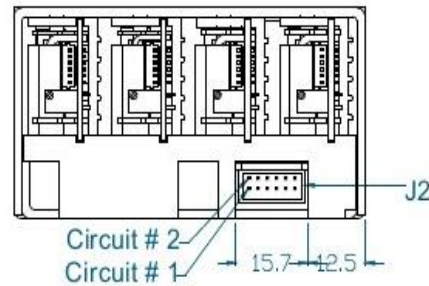
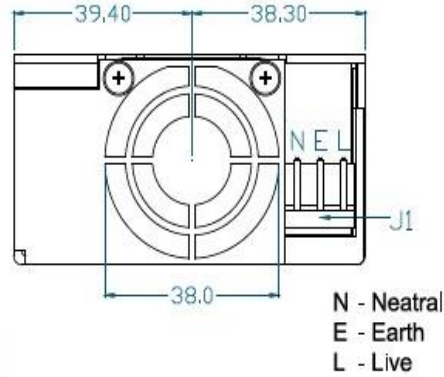
Bias Voltage	Min.: 4.8V, Typ.: 5V, Max.:5.2V
Bias Current	200mA
Power Good Voltage	PNP open collector with internal 10k pull down resistor; Min: 8, Typ: 10, Max: 15V
Power Good Current	0-20mA
Inhibit Voltage	Min: 2V, Max: 15V
Inhibit Current	10k ohm input impedance Min: 0.2mA Max:1.5mA
Global inhibit voltage	Min: 3V, Max: 15V
Global inhibit current	5k ohm input impedance Min: 0.6mA Max: 3mA
AC_OK Voltage	Min: 1V, Max: 4V
AC_OK Current	Min: -10mA, Max: 20mA
AC_OK warning	See user manual for exceptions 5mS

■ Safety and EMC

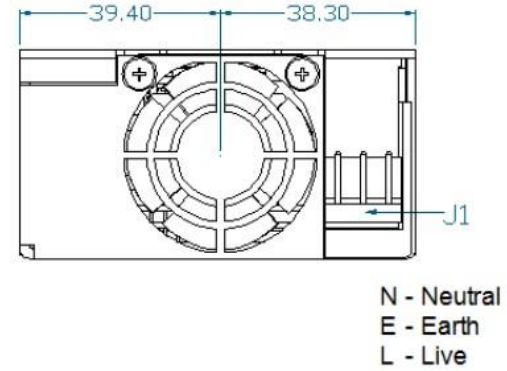
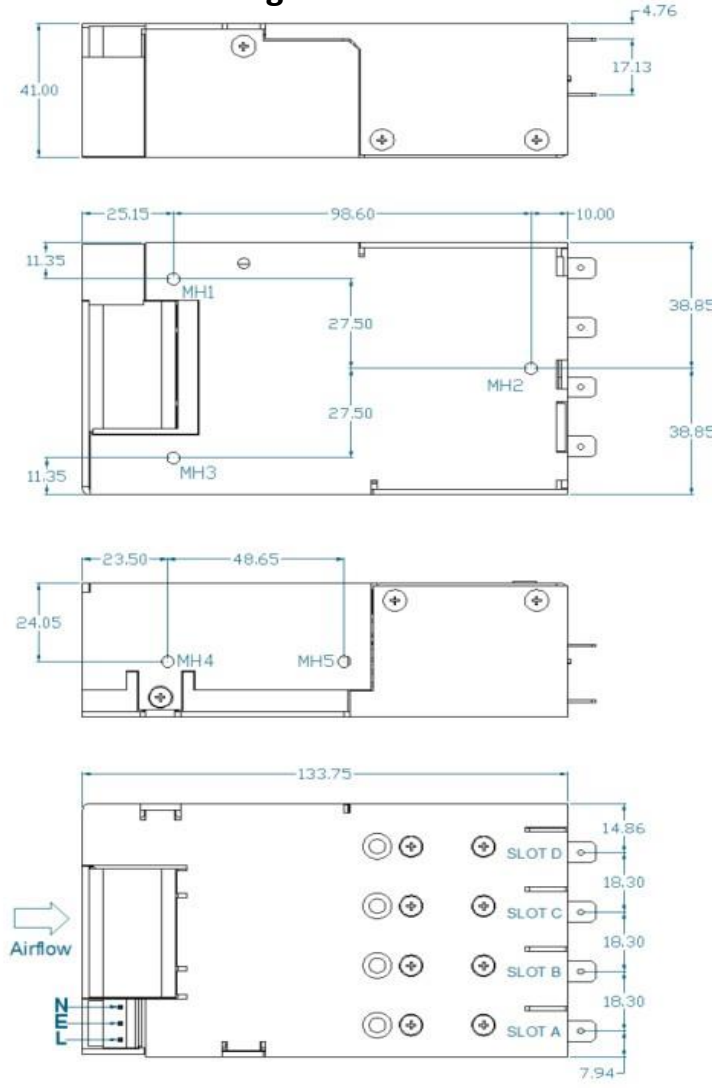
UL60950-1	UL60950-1 2 nd edition revised December 19, 2011
IEC/EN60950-1	IEC60950-1:2005(2 nd edition); AM 1:2009
CSA-C22.2 No. 60950-1 A-07	2 nd edition
CE Mark	LVD 2011/65/EU

■ Connectors

Circuit	Details
J1	
1	Live
2	Earth
3	Neutral
J2	
1	Power Good
2	Inhibit
3	Power Good
4	Inhibit
5	Power Good
6	Inhibit
7	Power Good
8	Inhibit
9	Global Inhibit
10	AC OK
11	+5V 200mA bias supply
12	COM
J3	
Positive output	
J4	
Negative output	
J5	
1	-Sense
2	+Sense
3	Voltage Control
4	Current control/share/out
5	COM
6	+5V local bias supply



■ Mechanical Diagram



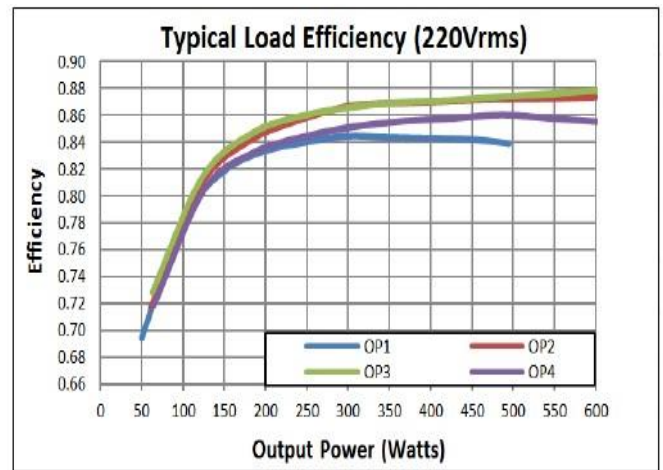
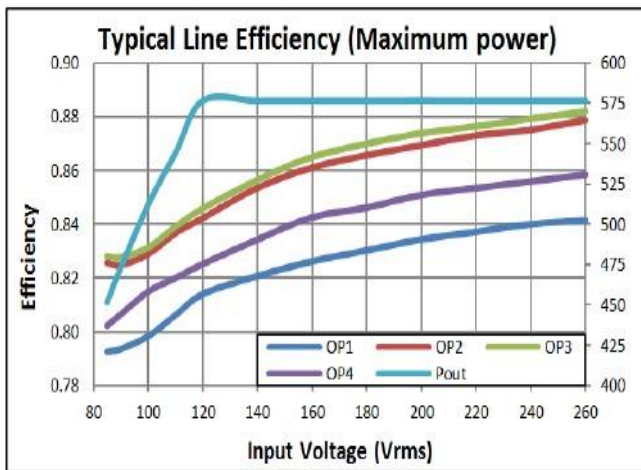
Screws	
Mounting Holes MH1, MH2, MH3, MH4, MH5	
Screw type	M4
Tightening	Tighten to 0.55Nm(1)
Penetration depth	4.00mm max including chassis
Output Modules x 8	
Screw Type	M3x5, C/Sink, Posi, Stainless steel
Tightening	Tighten to 0.35Nm(1)
Penetration depth	Defined by screw
Chassis x 5	
Screw Type	M3x5, C/Sink, Posi, Stainless steel
Tightening	Tighten to 0.35Nm(1)
Penetration depth	Defined by screw
FAN x 2	
Screw Type	M3x30, C/Sink, Posi, Stainless steel
Tightening	Tighten to 0.35Nm(1)
Penetration depth	Defined by screw
1. Torque settings are for general reference only. The torque setting shown in the datasheet are the insert manufactures recommended values.	

Mating Connectors				
Ref.	Details	Man.	Housing	Terminal
J1	Mains input: 3 Pin, 5.08mm, with Friction lock, 18-24 AWG	Molex	10013036	0008701031
J2	Global Signals: 12Pin, 2mm, without friction lock, 24-30 AWG	Molex	0510210200	0503948051
J3/4(1)	Output power terminal: TAB size 6.35mmx0.8mm	Various		Various
J5	Output signals: 6 Pin, 1.25mm, with friction lock, 28-32 AWG	Molex	0510210600	0500588000

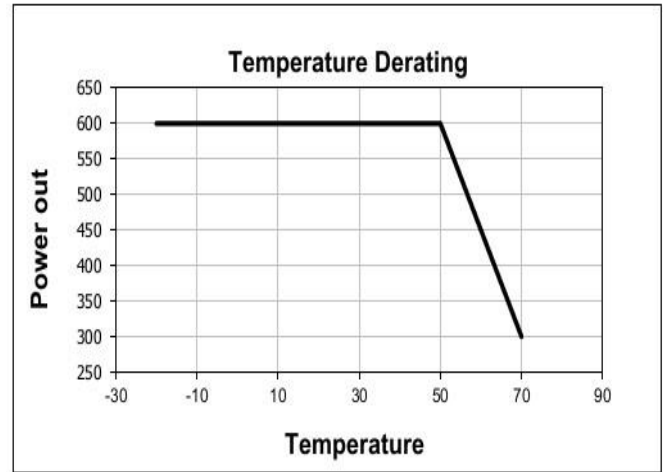
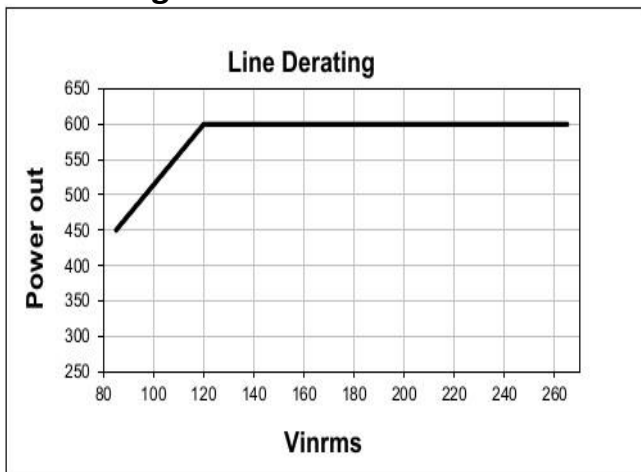
Notes:

1. Terminal and wire current rating must exceed maximum short circuit output current. EG. Output 1=25A*1.25=31.25Amps.
2. Direct equivalents may be used for any connector parts.
3. All cables must be rated 105°C min, equivalent to UL1015

■ Efficiency vs Load

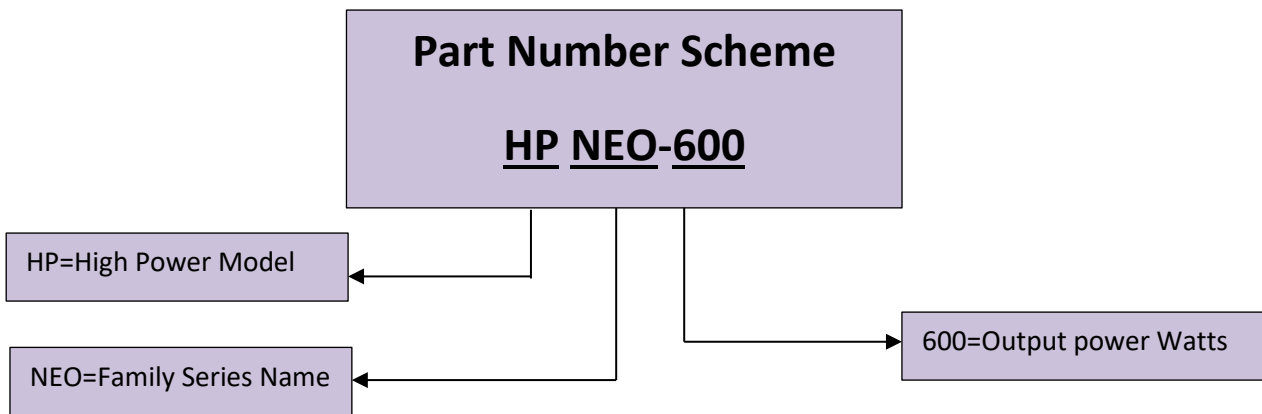
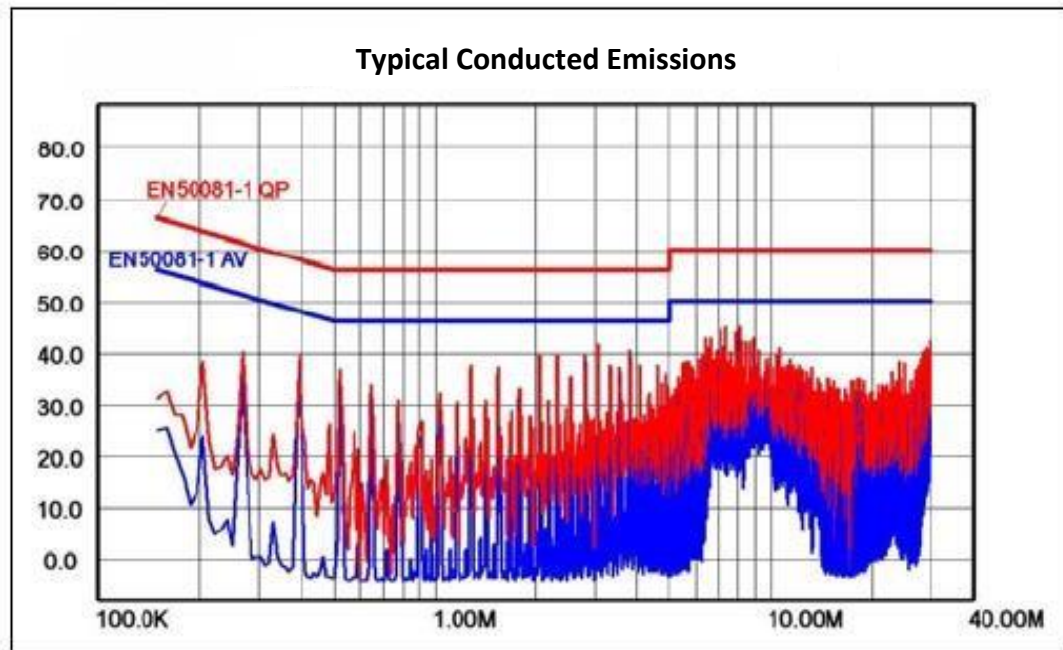


■ Derating Curve



Technical Sales / Customer Service: +1-818-338-7788 • Email: sales@autec.com
 31328 Via Colinas Suite 102 • Westlake Village, CA 91362 USA • www.autec.com

■ Typical Conducted Emissions



*Product images are for illustrative purposes only and may vary from actual design.

*Specifications are subject to change without notice. Autec is not responsible for issues arising from errors or omissions.

Technical Sales / Customer Service: +1-818-338-7788 • Email: sales@autec.com
 31328 Via Colinas Suite 102 • Westlake Village, CA 91362 USA • www.autec.com