

■ Features

- Single output to 320W
- Input voltage range: 90-264V
- Output current(6700mA-55000mA)
- Built-in Active PFC function, PF>0.95
- Efficiency to 87.5%
- Protections: OLP, SCP, and OPP
- High efficiency, long life and high reliability
- 3-year Warranty
- Withstand 300Vac surge input for 5 secs.
- Built-in cooling fan speed control



*Product images are for illustrative purposes only and may vary from actual design.

■ Applications

- Suitable for critical applications

■ Model List*(See part number scheme for model number details)

Model Number	Input Voltage	Output Power	Output Voltage	Output Current Min.	Output Current Max.(NOTE 1)	Efficiency	Certifications
SPL-320-1051	90–264Vac	320W	5V	0	55A	79%	UL/cUL
SPL-320-1121	90–264Vac	320W	12V	0	25A	84.5%	UL/cUL
SPL-320-1241	90–264Vac	320W	24V	0	13A	87%	UL/cUL
SPL-320-1361	90–264Vac	320W	36V	0	8.8A	87%	UL/cUL
SPL-320-1481	90–264Vac	320W	48V	0	6.7A	87.5%	UL/cUL

■ Technical Data

Ripple and Noise	≤150mV(5V, 12V) ≤200mV(24V-48V) (NOTE 2)
Voltage adjustment range	-5%~+10% of rated output voltage
Voltage Accuracy	±1%
Line Regulation	±0.5%
Load Regulation	±1%
Set-up Time	≤2S @230Vac
Hold up Time	≥10mS (230Vac input, Full load)
Temperature Coefficient	±0.03%°C
Overshoot and Undershoot	<5%
Voltage Range	85Vac~264Vac, 120Vdc-370Vdc
Frequency Range	47Hz~63Hz
Power factor (typical)	PF>0.98@115Vac, PF>0.95@230Vac
AC Current (max.)	<4.5A
Inrush Current (Typical)	<30A@115Vac, <50A@230Vac Cold start
Leakage Current	Input—output: ≤0.25mA Input—PG: ≤1mA
Over Load	105%~150% of rated output current, hiccup mode, auto recovery

Technical Sales / Customer Service: +1-818-338-7788 • Email: sales@autec.com
 31328 Via Colinas Suite 102 • Westlake Village, CA 91362 USA • www.autec.com

■ Technical Data(cont.)

Over power	105%~150% of rated output current, hiccup mode, auto recovery
Short Circuit	Long-term mode, auto recovery
Operating amb. Temp. & Hum.	-25°C~70°C; 20%~90%RH No condensing (refer to the derating curve)
Vibration	10 ~ 500Hz, 2G 10min./1cycle, period for60min. each along X,Y, Z axes
Storage Temp. & Hum.	-40°C~85°C; 10%~95%RH No condensing
MTBF (MIL-HDBK-217F)	More than 200,000Hrs (25°C, Full load)
Dimension (L*W*H)	199×99×50mm
Packing	12PCS/CTN, 9.8KGS, 0.04CBM
Cooling method	Cooling by forced air (built-in DC fan)

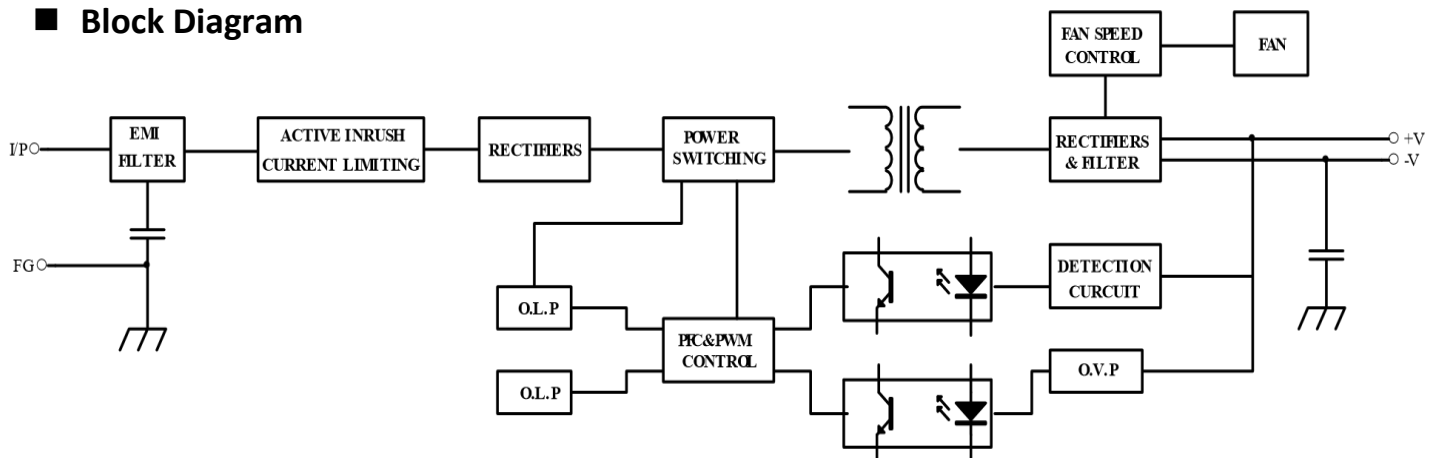
■ Safety and EMC Approval(NOTE 3)

Safety Standards	UL60950-1 2nd Ed; IEC 60950-1:2005(2nd Ed) ;EN60950-1:2006
Withstand Voltage	Primary-Secondary: 3.0KVac; ≤10mA .Primary-PG:1.5KVac; ≤10mA. Secondary-PG: 0.5KVDC;≤10mA.
Isolation Resistance	≥100M ohms
EMI Conduction & Radiation	Compliance to EN55022,EN55024 Class B
Harmonic Current	Compliance to EN61000-3-2,-3
EMS Immunity	Compliance to EN61000-4-2,3,4,5,6,8,11;EN55024,EN61000-6-2 heavy industry level

Notes:

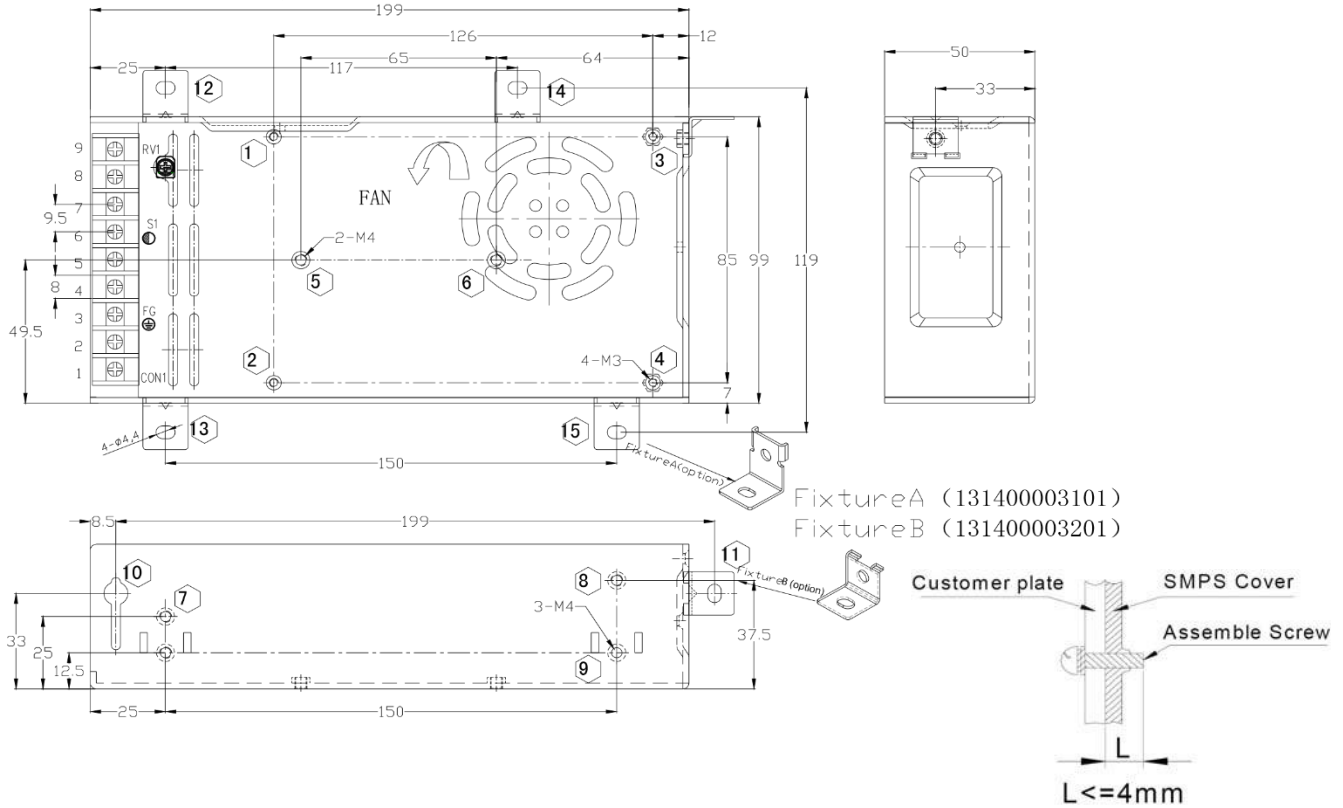
1. All parameters not specifically mentioned are measured at rated input, rated load and 25°C of ambient temperature
2. Measured at 20MHz of bandwidth
3. The power supply is considered a component which will be installed into the final equipment. The unit must be re-confirmed that it still meets EMC directives.

■ Block Diagram

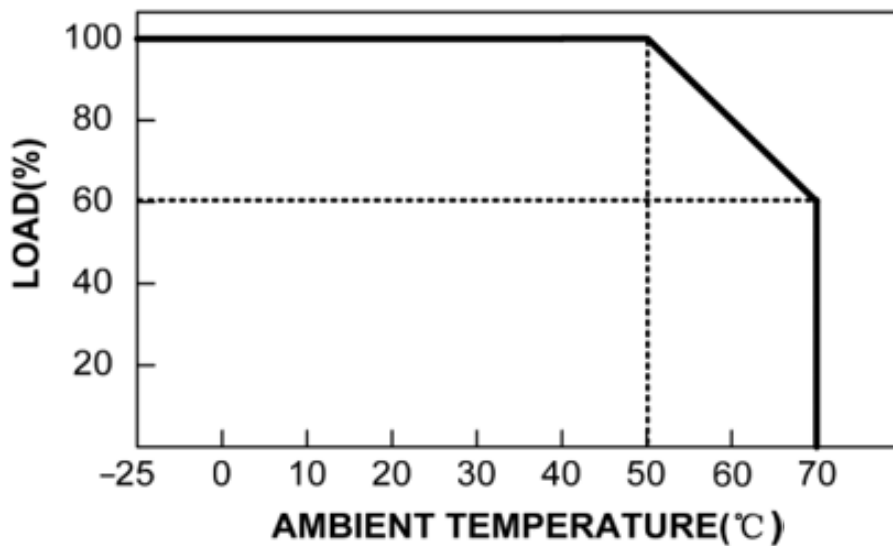


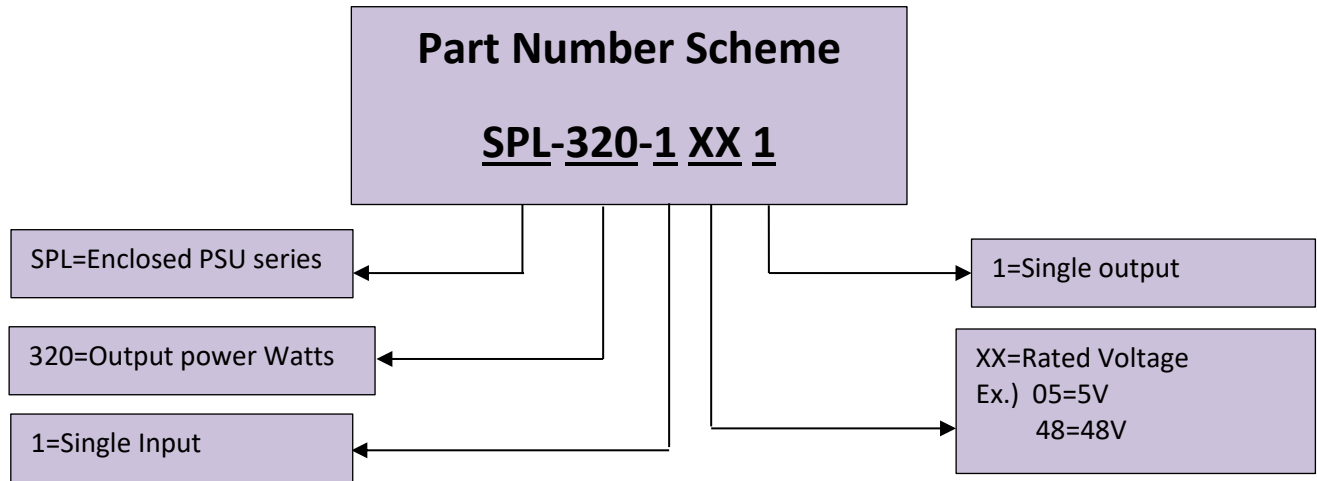
Technical Sales / Customer Service: +1-818-338-7788 • Email: sales@autec.com
 31328 Via Colinas Suite 102 • Westlake Village, CA 91362 USA • www.autec.com

■ Mechanical Diagram



■ Derating Curve





*Product images are for illustrative purposes only and may vary from actual design.

*Specifications are subject to change without notice. Autec is not responsible for issues arising from errors or omissions.