

■ **Features**

- 5Vdc to 56Vdc in a 1Vdc increment
- Remote Sense
- Low Profile
- Input voltage range: 90-264Vac
- UL, cUL, CB & DEMKO (EN60959) Safety Approval
- CE Compliant
- 2 X 4 form factor
- Low cost unit



\*Product images are for illustrative purposes only and may vary from actual design.

■ **Model List**\*(See part number scheme for model number details)

Model Number	Input Voltage Range	Output Power	Output Voltage	Output Current Min.	Output Current Max.	Efficiency	Certification
SP75-10500	90 -264Vac	40W	5V	0	8A	68%	UL/cUL/CB/DEMKO
SP75-11200	90 -264Vac	75W	12V	0	6.25A	75%	UL/cUL/CB/DEMKO
SP75-11400	90 -264Vac	75W	14V	0	5.35	82%	UL/cUL/CB/DEMKO
SP75-11500	90 -264Vac	75W	15V	0	5A	84%	UL/cUL/CB/DEMKO
SP75-12400	90 -264Vac	75W	24V	0	3.12A	85%	UL/cUL/CB/DEMKO
SP75-13800	90 -264Vac	75W	38V	0	1.97A	85%	UL/cUL/CB/DEMKO
SP75-14800	90 -264Vac	75W	48V	0	1.56A	85%	UL/cUL/CB/DEMKO
SP75-15600	90 -264Vac	75W	56V	0	1.34A	85%	UL/cUL/CB/DEMKO

■ **Technical Data**

Ripple & Noise (max.) (2)	1% Pk to Pk
Voltage Adjustment Range	± 5%
Voltage Tolerance	±5%
Line Regulation	±1%
Load Regulation	±5%
Setup, Rise Time	All output shall reach their steady state values within 3 Sec. of turn on
Hold Time	20mS min.
Voltage Range	90V ~ 264VAC
Frequency Range	47Hz / 63Hz
AC Current (max.)	2.0A @ 115VAC
Inrush Current (max.)	Will not exceed 30A / 115VAC, Cold Start, 25°C
Short Circuit Protection	Protection type : Hiccup mode, recovers automatically after fault condition is removed
Over Load	>150% rated output power Protection type : Hiccup mode, recovers automatically after fault condition is removed
Over Voltage	115% ~ 135% rated output voltage Protection type : Hiccup mode, Recycle AC to restart

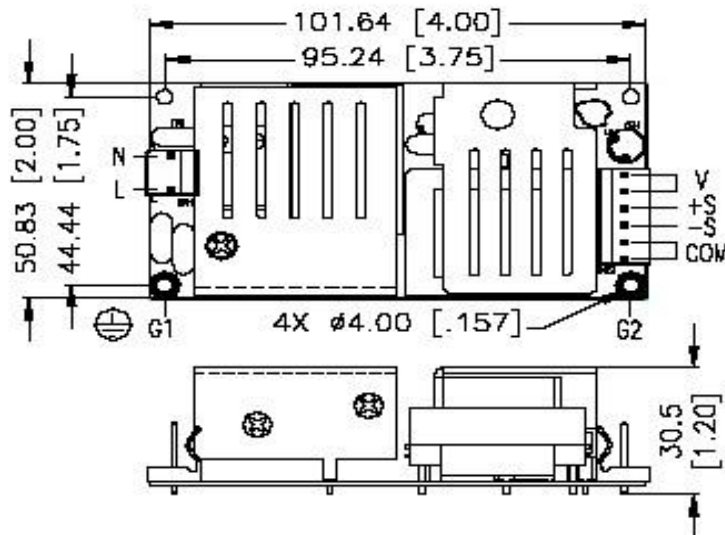
■ Technical Data(cont.)

Temperature Range Operational	0°C ~ 50°C
Temperature Range Storage	- 40°C ~ +80°C
Working Humidity Operational	20 ~ 95% RH non-condensing
Working Humidity Storage	5 ~ 95% R.H
Temp. Coefficient	±0.01%/°C typical on all outputs
Vibration	3G, 10-25Hz, 15min. Per cycle for each axis (X, Y, Z)
MTBF	150,000 hrs @ 25°C based on MIL-STD-217F
Dimension (L*W*H)	101.64*50.83*30.5 (mm) - 4.0*2.0*1.2 (inch)
Weight	0.18kg - 0.40Lb

■ Safety and EMC

Safety Standards	UL (60950-1:2001) , CUL, DEMKO and CB
Withstand Voltage	I/P - O/P: 3KVAC (4242 DC), 10mA for 1 minute
EMI Conduction & Radiation	EN55022 , FCC Class B
EMS Immunity	EN61204, EN61000-3-2, EN61000-3-3

■ Mechanical Diagram



Technical Sales / Customer Service: +1-818-338-7788 • Email: [sales@autec.com](mailto:sales@autec.com)  
 31328 Via Colinas Suite 102 • Westlake Village, CA 91362 USA • [www.autec.com](http://www.autec.com)

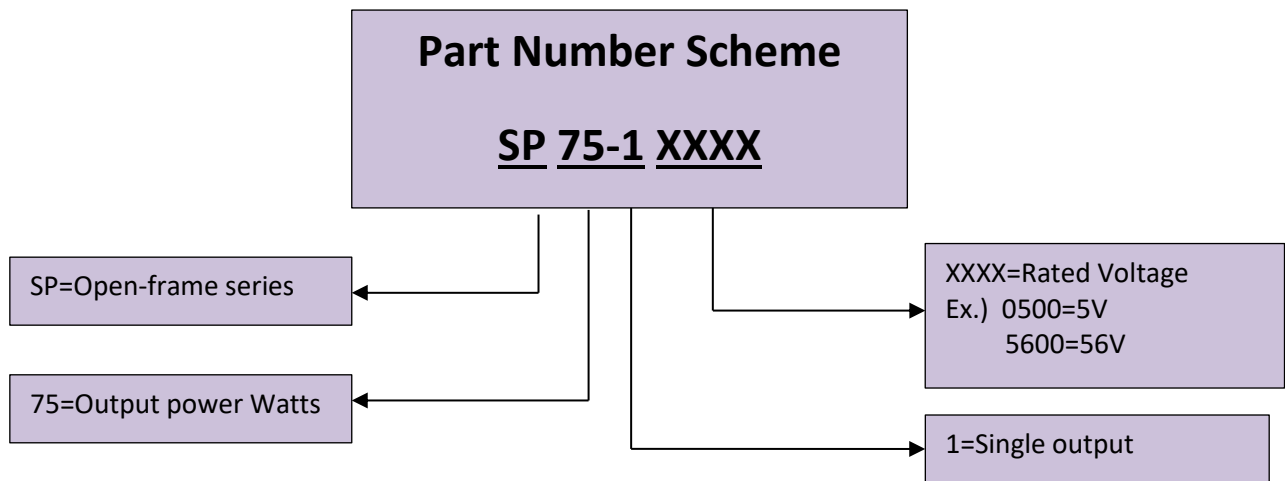
■ Pin Assignment/Shipping Specifications

PIN ASSIGNMENT		
	P1 Input	P2 Output
PIN 1	Line	+V
PIN 2	NC	+V
PIN 3	Neutral	+ S (remote Sense)
PIN 4		-S
PIN 5		-V
PIN 6		-V
CONNECTOR	Molex 1063-4037	Molex 09-65-2065

Shipping Specifications	
Series	SP75
Units per carton	72.0
Carton weight	13.27kgs/29.26lbs
Carton Dimensions (W/L/H)	16.0/16.0/10.0in
Carton Dimensions (W/L/H)	406.4/406.4/254mm

**NOTES:**

1. This family is from 5V to 56V in 1VDC increment, please consult with Autec Sales for the right model # for your application.
2. Ripple & noise are measured at 20MHz of bandwidth by using a 12" twisted pair-wire terminated with a 0.1uf & 47uf parallel capacitor.
3. Tolerance: includes set up tolerance, line regulation and load regulation.
4. Line regulation is measured from low line to high line at rated load.
5. Load regulation is measured from 0% to 100% rated load.
6. Specification subject to change without notice.



\*Product images are for illustrative purposes only and may vary from actual design.

\*Specifications are subject to change without notice. Autec is not responsible for issues arising from errors or omissions.