

■ Features

- Power Rating: 60W
- Input Voltage: 120-277Vac ± 10%
- Constant current design
- Fixed output current(1050mA-1600mA)
- Efficiency to 87%
- Dimmable with 0-10V dimmer
- UL Class 2
- OVP, OCP, and SCP
- 5-year warranty
- IP20



■ Application

- Indoor or outdoor lights

*Product images are for illustrative purposes only and may vary from actual design.

■ Model List*(See part number scheme for model number details)

Model Number	Input Voltage Range	Output Power	Output Voltage	Output Current Min.	Output Current Max.	Efficiency	Certification
LXWCD060S060SS-20	120-277Vac ± 10%	60W	50-100V	600mA	600mA	86%@120V 87%@240V 87%@277V	-/-
LXWCD060S070SS-20	120-277Vac ± 10%	60W	43-86v	700mA	700mA	86%@120V 86%@240V 86%@277V	-/-
LXWCD060S080SS-20	120-277Vac ± 10%	60W	38-75V	800mA	800mA	86%@120V 86%@240V 86%@277V	-/-
LXWCD060S090SS-20	120-277Vac ± 10%	60W	33-67V	900mA	900mA	86%@120V 86%@240V 86%@277V	-/-
LXWCD060S100SS-20	120-277Vac ± 10%	60W	30-60V	1000mA	1000mA	86%@120V 86%@240V 86%@277V	UL/-
LXWCD060S110SS-20	120-277Vac ± 10%	60W	27-55V	1100mA	1100mA	85%@120V 86%@240V 86%@277V	UL/-
LXWCD060S120SS-20	120-277Vac ± 10%	60W	25-50V	1200mA	1200mA	85%@120V 86%@240V 86%@277V	UL/-
LXWCD060S130SS-20	120-277Vac ± 10%	60W	23-46V	1300mA	1300mA	85%@120V 86%@240V 86%@277V	UL/-
LXWCD060S140SS-20	120-277Vac ± 10%	60W	21-43V	1400mA	1400mA	85%@120V 86%@240V 86%@277V	UL/-

Technical Sales / Customer Service: +1-818-338-7788 • Email: sales@autec.com
31328 Via Colinas Suite 102 • Westlake Village, CA 91362 USA • www.autec.com

■ Model List(cont.)

Model Number	Input Voltage Range	Output Power	Output Voltage	Output Current Min.	Output Current Max.	Efficiency	Certification
LXWCD060S150SS-20	120-277Vac ± 10%	60W	20-40V	1500mA	1500mA	85%@120V 86%@240V 86%@277V	UL/cUL
LXWCD060S160SS-20	120-277Vac ± 10%	60W	18-37.5V	1600mA	1600mA	85%@120V 86%@240V 86%@277V	UL/cUL
LXWCD060S170SS-20	120-277Vac ± 10%	60W	18-35V	1700mA	1700mA	85%@120V 86%@240V 86%@277V	UL/cUL
LXWCD060S180SS-20	120-277Vac ± 10%	60W	17-33V	1800mA	1800mA	85%@120V 86%@240V 86%@277V	UL/cUL
LXWCD060S190SS-20	120-277Vac ± 10%	60W	16-32V	1900mA	1900mA	85%@120V 86%@240V 86%@277V	UL/cUL
LXWCD060S200SS-20	120-277Vac ± 10%	60W	15-30V	2000mA	2000mA	85%@120V 86%@240V 86%@277V	UL/cUL
LXWCD060S210S-20	120-277Vac ± 10%	60W	14-29V	2100mA	2100mA	85%@120V 86%@240V 86%@277V	UL/cUL
LXWCD060S220SS-20	120-277Vac ± 10%	60W	14-27V	2200mA	2200mA	85%@120V 86%@240V 86%@277V	UL/cUL
LXWCD060S230SS-20	120-277Vac ± 10%	60W	13-26V	2300mA	2300mA	85%@120V 86%@240V 86%@277V	UL/cUL
LXWCD060S240SS-20	120-277Vac ± 10%	60W	12-25V	2400mA	2400mA	85%@120V 86%@240V 86%@277V	UL/cUL
LXWCD060S250SS-20	120-277Vac ± 10%	60W	12-24V	2500mA	2500mA	85%@120V 86%@240V 86%@277V	UL/cUL

■ Technical Data

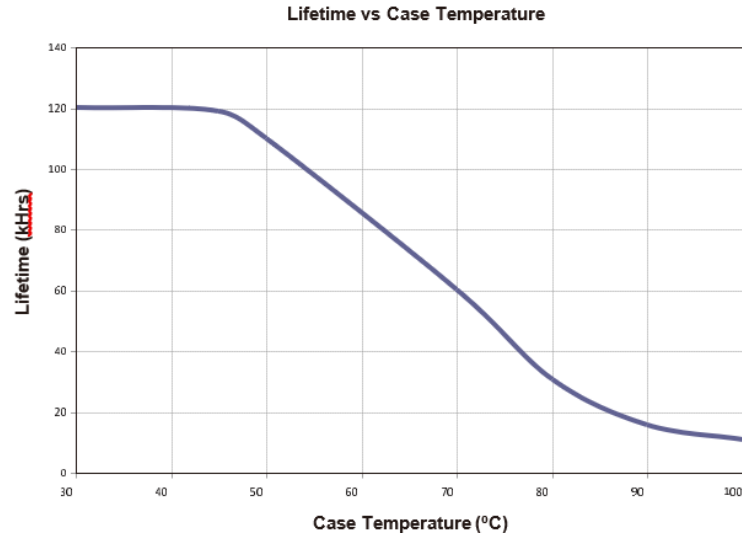
Input voltage range	120~277Vac ± 10%
Frequency	50/60Hz
Power factor	> 0.9 under 120~277Vac input with 80~100% load condition (for all output currents)
Inrush current	60A @230V
Max input current	0.61A @120V, 0.31A@240V, 0.27A @277V
THD	< 20% under 120~277Vac input with 80~100% load condition (for all output currents)
Load Regulation:	± 2%
Line Regulation:	± 1%
Output Tolerance:	± 5% at full load condition
Turn-on Delay Time:	< 0.75s at full load condition
Overshoot:	< 10% at full load condition
No Load Power Consumption:	< 2W
Ripple & Noise (pk-pk):	< 3%
Withstand voltage:	Input to output, 2,800Vdc, 2mA
Leakage current:	Maximum 0.5mA at 277Vac, 60Hz input
Protection	Over voltage protection: Hiccup mode. Protection will trigger when load voltage exceeds specified output voltage and will auto recover after the fault mode is removed. Over current protection: Hiccup mode. Protection will trigger when load current exceeds specified output current and will auto recover after the fault mode is removed. Short circuit protection: Hiccup mode. Protection will trigger when short circuit and will auto recover after the fault mode is removed.
Operating temperature	-40 to 60°C
Storage temperature	-40 to 85°C
Humidity	5% to 95%
MTBF	299,000 hours at 40°C ambient (~70°C case temp)
Life rating	85,000 hours at 120Vac input, 100% load and 60°C case temperature
Maximum case Temperature	90°C
Length (L)	5.00" (127mm)
Width (W)	3.00" (76.2mm)
Height (H)	1.38" (35mm)
Mounting (M)	4.63" (117.6mm)
Weight	0.63Kg
Packing	0.58kg / unit; 30pcs / carton; 1,080pcs / pallet

Technical Sales / Customer Service: +1-818-338-7788 • Email: sales@autec.com
 31328 Via Colinas Suite 102 • Westlake Village, CA 91362 USA • www.autec.com

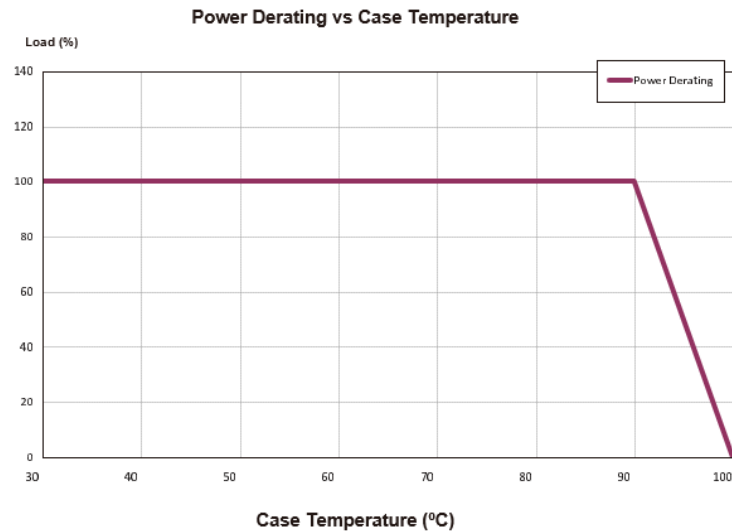
■ **Safety Compliance**

UL/cUL	UL 8750
CE	
FCC, 47CFR Part 15	Class B (Consumer Limit)
EN61000-3-2	

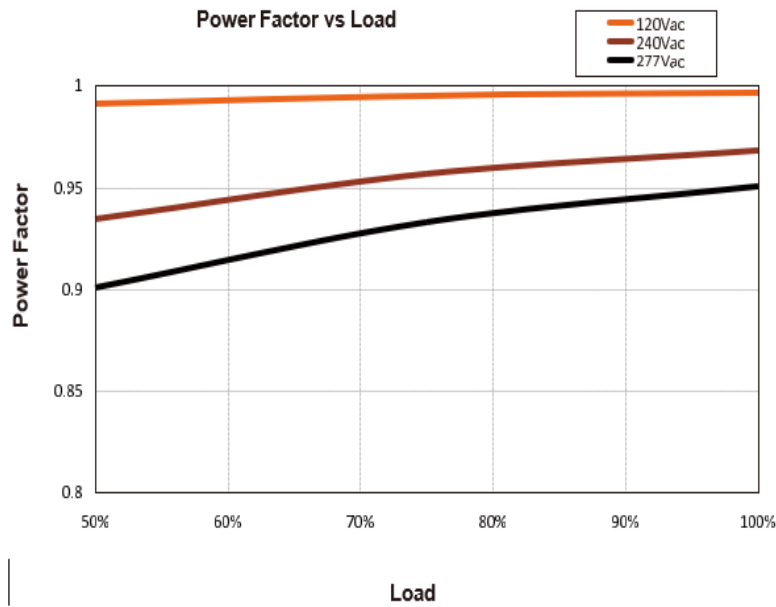
■ **Lifetime vs Case Temperature**



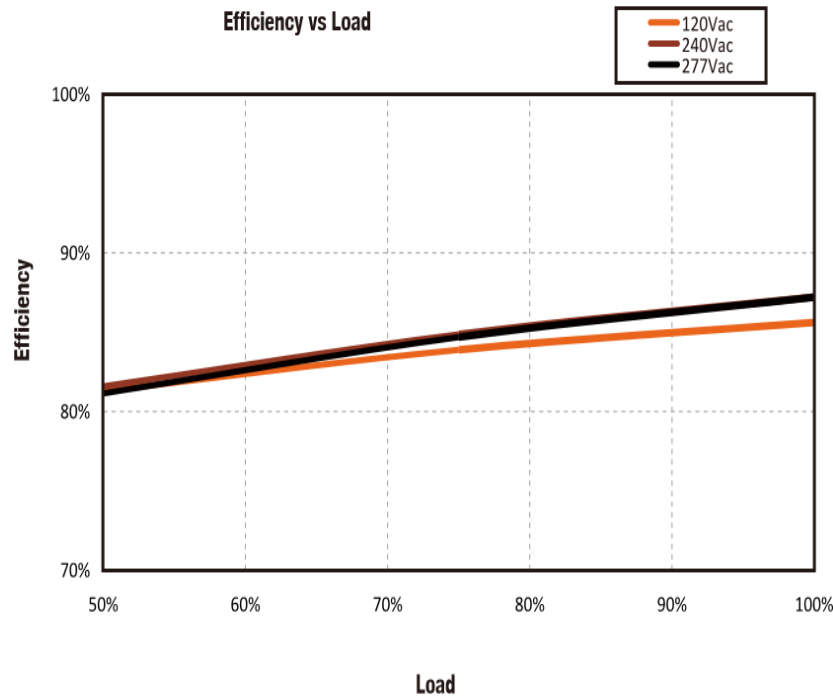
■ **Power Derating vs Case Temperature**



■ Power Factor vs Load

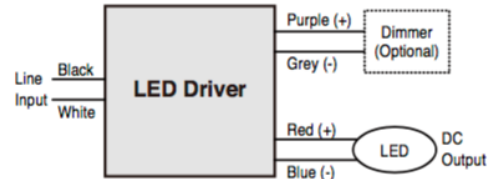
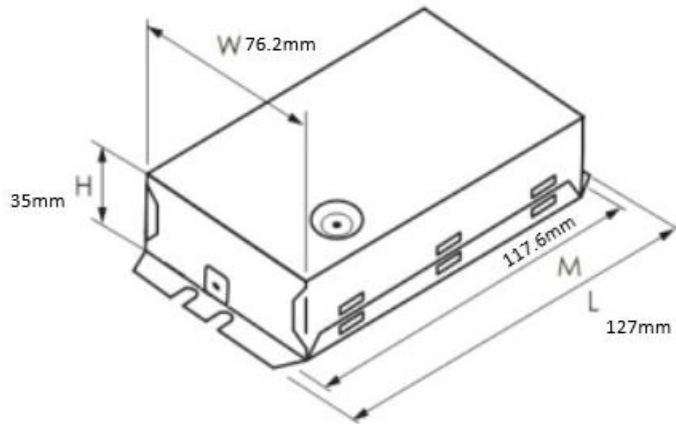


■ Efficiency vs Load

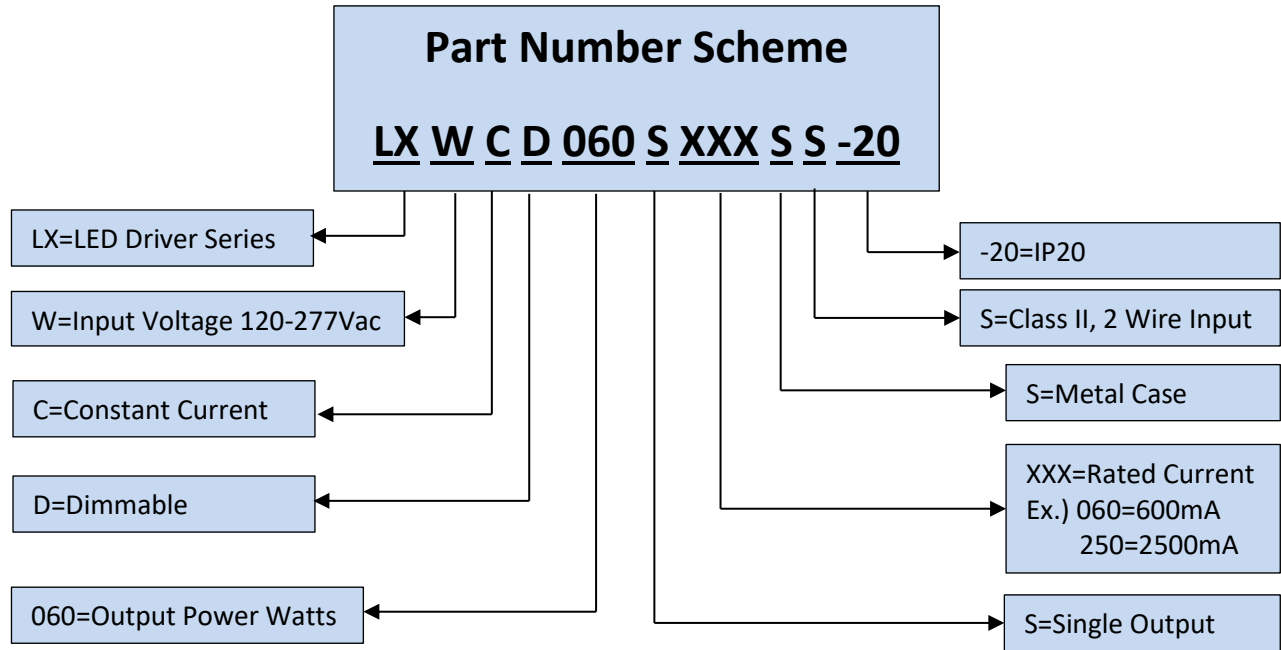


Technical Sales / Customer Service: +1-818-338-7788 • Email: sales@autec.com
31328 Via Colinas Suite 102 • Westlake Village, CA 91362 USA • www.autec.com

■ Wiring Diagram



Wire Specifications	
Input	Terminal Block: (Black and White)
Output	Terminal Block: VO(+)(RED) and VO(-)(BLUE)
Dimming	Terminal Block: DIM(+)(PURPLE), RTN(-)(GREY),



*Product images are for illustrative purposes only and may vary from actual design.

*Specifications are subject to change without notice. Autec is not responsible for issues arising from errors or omissions.