

■ Features

- Power Rating: 40W
- Input Voltage: 120-277Vac ± 10%
- Constant current design
- Fixed output current(350mA-2000mA)
- Efficiency to 87%
- Auxiliary power: 12Vdc, 20mA max
- Dimmable with 0-10V dimmer
- UL Class 2
- OVP, OCP, SCP, OTP
- IP66
- 5-year warranty
- Plastic case



*Product images are for illustrative purposes only and may vary from actual design.

■ Application

- Indoor or outdoor lights

■ Model List*(See part number scheme for model number detail)

Model Number	Input Voltage Range	Output Power	Output Voltage	Output Current Min.	Output Current Max.	Efficiency	Certification
LXWCD040S035PS-3	120~277Vac ± 10%	40W	38-126V	350mA	350mA	87% @120V 87% @240V 87% @277V	-/-
LXWCD040S040PS-3	120~277Vac ± 10%	40W	33-100V	400mA	400mA	87% @120V 87% @240V 87% @277V	-/-
LXWCD040S050PS-3	120~277Vac ± 10%	40W	27-80V	500mA	500mA	86% @120V 87% @240V 87% @277V	-/-
LXWCD040S060PS-3	120~277Vac ± 10%	40W	22-67V	600mA	600mA	86% @120V 87% @240V 87% @277V	-/-
LXWCD040S070PS-3	120~277Vac ± 10%	40W	19-57V	700mA	700mA	86% @120V 86% @240V 86% @277V	UL/-
LXWCD040S080PS-3	120~277Vac ± 10%	40W	17-50V	800mA	800mA	86% @120V 86% @240V 86% @277V	UL/-
LXWCD040S090PS-3	120~277Vac ± 10%	40W	15-44V	900mA	900mA	86% @120V 86% @240V 86% @277V	UL/-
LXWCD040S100PS-3	120~277Vac ± 10%	40W	13-40V	1000mA	1000mA	86% @120V 86% @240V 86% @277V	UL/cUL
LXWCD040S110PS-3	120~277Vac ± 10%	40W	12-36V	1100mA	1100mA	85% @120V 86% @240V 86% @277V	UL/cUL

Technical Sales / Customer Service: +1-818-338-7788 • Email: sales@autec.com
31328 Via Colinas Suite 102 • Westlake Village, CA 91362 USA • www.autec.com

■ Model List(Cont.)

Model Number	Input Voltage Range	Output Power	Output Voltage	Output Current Min.	Output Current Max.	Efficiency	Certification
LXWCD040S120PS-3	120~277Vac ± 10%	40W	11-33V	1200mA	1200mA	85% @120V 86% @240V 86% @277V	UL/cUL
LXWCD040S130PS-3	120~277Vac ± 10%	40W	11-31V	1300mA	1300mA	85% @120V 86% @240V 86% @277V	UL/cUL
LXWCD040S140PS-3	120~277Vac ± 10%	40W	10-29V	1400mA	1400mA	85% @120V 86% @240V 86% @277V	UL/cUL
LXWCD040S150PS-3	120~277Vac ± 10%	40W	9-27V	1500mA	1500mA	85% @120V 86% @240V 86% @277V	UL/cUL
LXWCD040S160PS-3	120~277Vac ± 10%	40W	9-25V	1600mA	1600mA	85% @120V 86% @240V 86% @277V	UL/cUL
LXWCD040S167PS-3	120~277Vac ± 10%	40W	8-24V	1670mA	1670mA	85% @120V 86% @240V 86% @277V	UL/cUL
LXWCD040S170PS-3	120~277Vac ± 10%	40W	8-24V	1700mA	1700mA	85% @120V 86% @240V 86% @277V	UL/cUL
LXWCD040S180PS-3	120~277Vac ± 10%	40W	8-22V	1800mA	1800mA	85% @120V 86% @240V 86% @277V	UL/cUL
LXWCD040S190PS-3	120~277Vac ± 10%	40W	7-21V	1900mA	1900mA	85% @120V 86% @240V 86% @277V	UL/cUL
LXWCD040S200PS-3	120~277Vac ± 10%	40W	7-20V	2000mA	2000mA	85% @120V 86% @240V 86% @277V	UL/cUL

(-3= 3-wire dimming option, Contact Autec Sales for 2-wire dimming options)

■ Technical Data

Input voltage range	120~277Vac ± 10%
Frequency	50/60Hz
Power factor	> 0.9 under 120~277Vac input with 80~100% load condition (for all output currents)
Inrush current	7A @230V
Max input current	0.44A @120V, 0.23A @240V and 0.20A @277V
THD	< 20% under 120~277Vac input with 80~100% load condition (for all output currents)
Ripple & Noise (pk-pk)	< 10%
Withstand voltage	Input to output, 4,000Vdc, 2mA

Technical Sales / Customer Service: +1-818-338-7788 • Email: sales@autec.com
 31328 Via Colinas Suite 102 • Westlake Village, CA 91362 USA • www.autec.com

■ **Technical Data(cont.)**

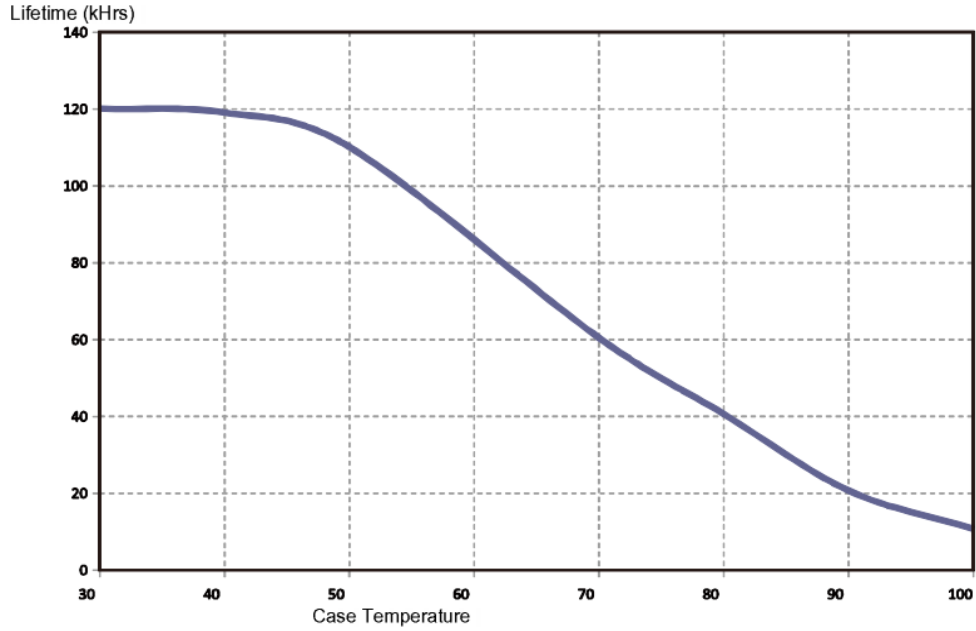
Load Regulation	± 2%
Line Regulation	± 1%
Current Tolerance	± 5% at full load condition
Turn-on Delay Time	< 0.75s at full load condition
Overshoot	< 10% at full load condition
No Load Power Consumption	< 2W
Leakage current	Maximum 0.5mA at 277Vac, 60Hz input
Protection	Over voltage protection: Hiccup mode. Protection will trigger when load voltage exceeds specified output voltage and will auto recover after the fault mode is removed. Over current protection: Hiccup mode. Protection will trigger when load current exceeds specified output current and will auto recover after the fault mode is removed. Short circuit protection: Hiccup mode. Protection will trigger when short circuit and will auto recover after the fault mode is removed. Over temperature protection: Protection will trigger when driver overheat and auto-recovery when cooled down.
Operating temperature	-40 to 60°C
Storage temperature	-40 to 85°C
Humidity	5% to 95%
MTBF	302,000 hours at 40°C ambient (~70°C case temp)
Life rating	80,000 hours at 120Vac input, 100% load and 60°C case temperature
Maximum case Temperature	90°C
Length (L)	3.76" (95.5mm)
Width (W)	2.81" (71.5mm)
Height (H)	1.26" (32mm)
Mounting (M)	3.34" (85mm)
Packing	0.31kg/unit; 40pcs/carton; 1600pcs/pallet

■ **Safety Compliance**

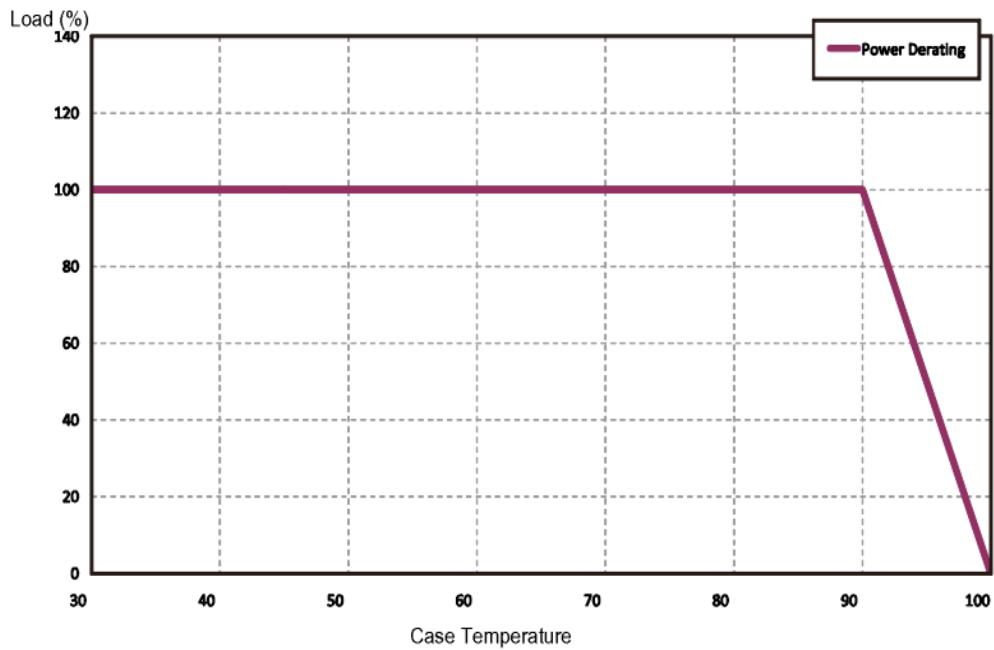
UL/cUL	UL 8750 , type HL
CE	EN61347-1, EN61347-2-13
FCC, 47CFR Part 15	ANSI C63.4:2009 Class B (Consumer Limit)
EN61000-3-2	Harmonic Current Emissions Class C

Technical Sales / Customer Service: +1-818-338-7788 • Email: sales@autec.com
 31328 Via Colinas Suite 102 • Westlake Village, CA 91362 USA • www.autec.com

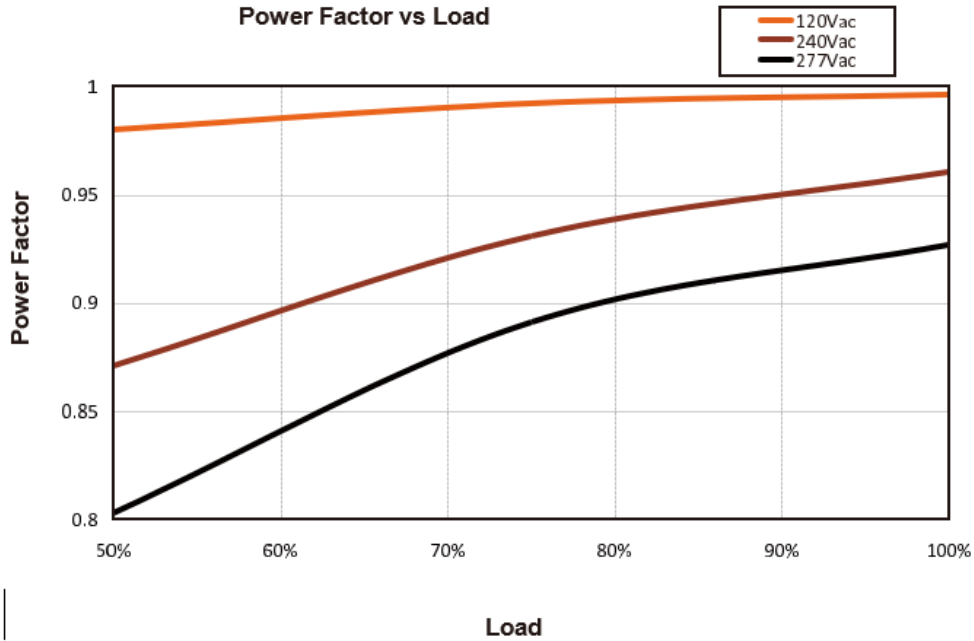
■ Lifetime vs Case Temperature



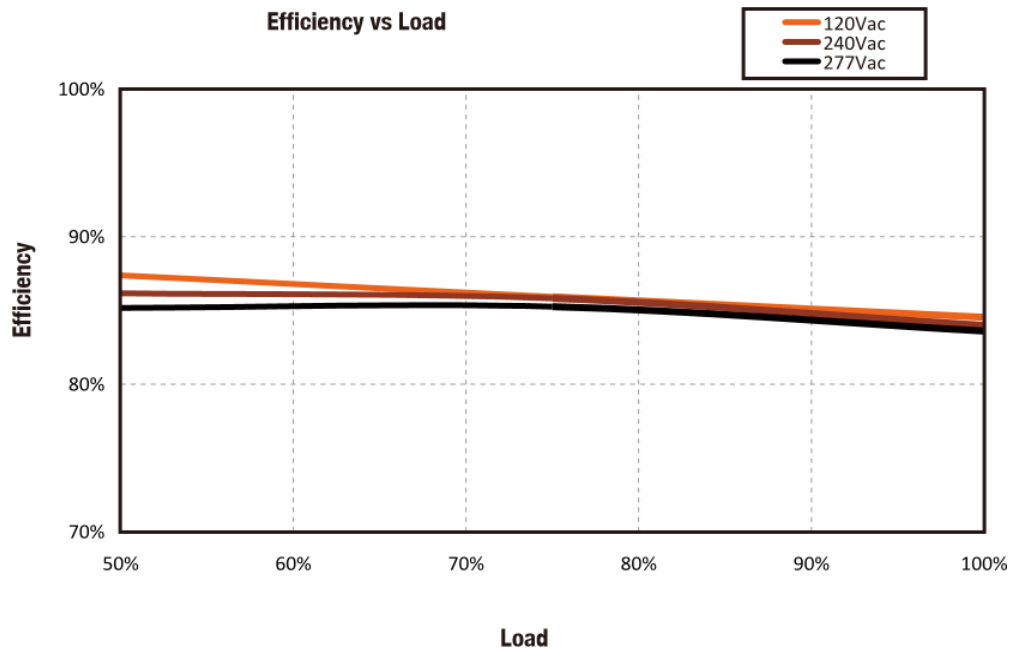
■ Power Derating vs Case Temperature



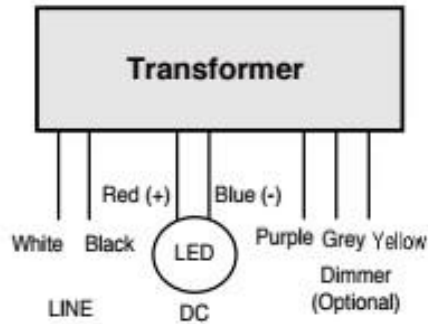
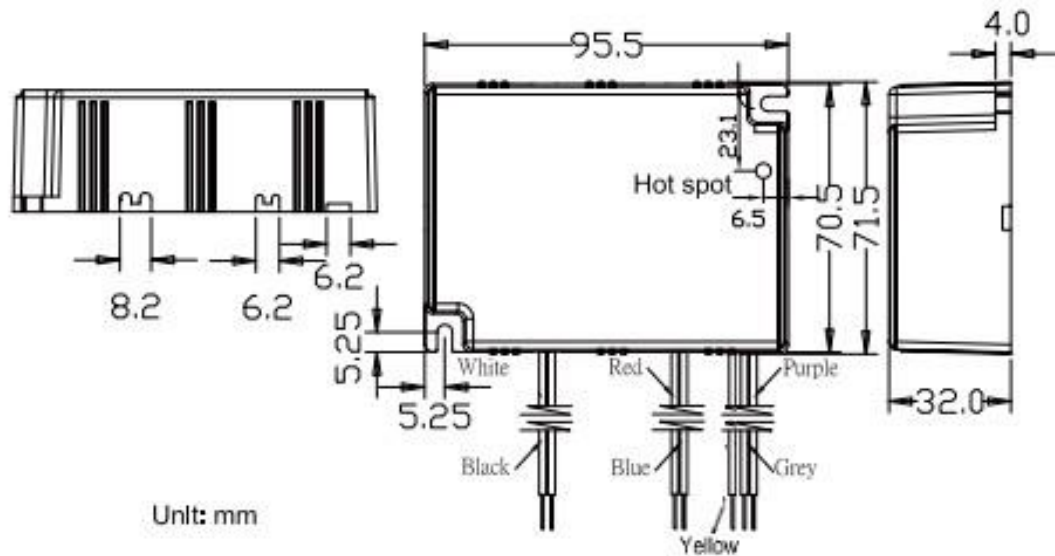
■ **Power Factor vs Load** LXWCD040S070PS-3



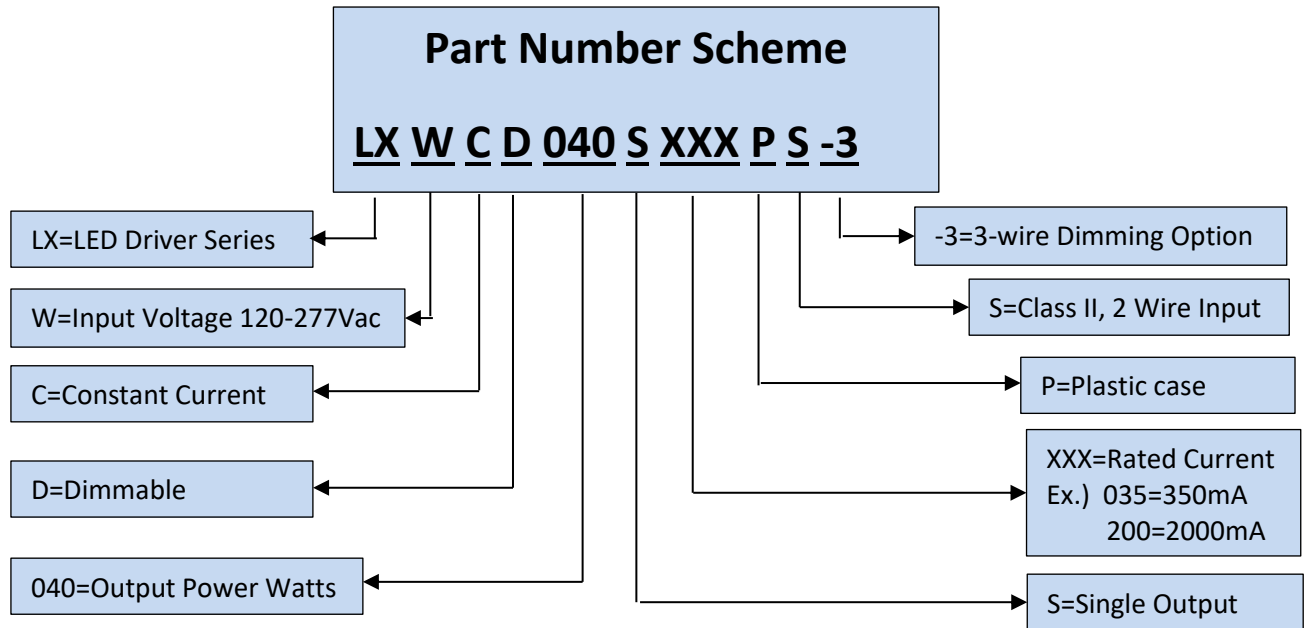
■ **Efficiency vs Load** LXWCD040S070PS-3



■ Wiring Diagram



Wire Specifications	
Input	12", UL 1316 #18AWG (Black and White)
Output	12", UL 1569 #18AWG (with Non-Class 2 output)
Output	12", UL 1430 #22AWG (with Class 2 output) (Red and Blue)
Dimming	12", UL 1430 #22AWG (Purple and Grey), Auxiliary power: 12Vdc, 20mA max



*Product images are for illustrative purposes only and may vary from actual design.

*Specifications are subject to change without notice. Autec is not responsible for issues arising from errors or omissions.