

■ **Features**

- Power Rating: 30W
- Input Voltage: 120-277Vac ± 10%
- Constant current design
- Fixed output current(350mA-1800mA)
- Efficiency to 86%
- Dimmable with 0-10V dimmer
- UL Class 2
- OVP, OCP, SCP
- IP20 or IP66
- 5-year warranty
- Plastic case



*Product images are for illustrative purposes only and may vary from actual design.

■ **Application**

- Indoor or outdoor lights

■ **Model List***(See part number scheme for model number details)

Model Number	Input Voltage Range	Output Power	Output Voltage	Output Current Min.	Output Current Max.	Efficiency	Certification
LXWCD030S035PS-20	120~277Vac ± 10%	30W	28-85V	350mA	350mA	85%@120V 86%@240V 86%@277V	-/-
LXWCD030S040PS-20	120~277Vac ± 10%	30W	25-75V	400mA	400mA	85%@120V 86%@240V 86%@277V	-/-
LXWCD030S045PS-20	120~277Vac ± 10%	30W	22-67V	450mA	450mA	85%@120V 86%@240V 86%@277V	-/-
LXWCD030S050PS-20	120~277Vac ± 10%	30W	20-60V	500mA	500mA	84%@120V 85%@240V 85%@277V	UL/-
LXWCD030S060PS-20	120~277Vac ± 10%	30W	17-50V	600mA	600mA	84%@120V 85%@240V 85%@277V	UL/-
LXWCD030S070PS-20	120~277Vac ± 10%	30W	14-43V	700mA	700mA	84%@120V 85%@240V 85%@277V	UL/-
LWXCD030S080PS-20	120~277Vac ± 10%	30W	13-38V	800mA	800mA	84%@120V 85%@240V 85%@277V	UL/cUL
LXWCD030S090PS-20	120~277Vac ± 10%	30W	11-33V	900mA	900mA	84%@120V 85%@240V 85%@277V	UL/cUL
LXWCD030S100PS-20	120~277Vac ± 10%	30W	10-30V	1000mA	1000mA	83%@120V 84%@240V 84%@277V	UL/cUL

Technical Sales / Customer Service: +1-818-338-7788 • Email: sales@autec.com
31328 Via Colinas Suite 102 • Westlake Village, CA 91362 USA • www.autec.com

LXWCD030S110PS-20	120~277Vac ± 10%	30W	9-27V	1100mA	1100mA	83%@120V 84%@240V 84%@277V	UL/cUL
LXWCD030S120PS-20	120~277Vac ± 10%	30W	8-25V	1200mA	1200mA	83%@120V 84%@240V 84%@277V	UL/cUL
LXWCD030S125PS-20	120~277Vac ± 10%	30W	8-24V	1250mA	1250mA	83%@120V 84%@240V 84%@277V	UL/cUL
LXWCD030S130PS-20	120~277Vac ± 10%	30W	8-23V	1300mA	1300mA	83%@120V 84%@240V 84%@277V	UL/cUL
LXWCD030S140PS-20	120~277Vac ± 10%	30W	7-21V	1400mA	1400mA	83%@120V 84%@240V 84%@277V	UL/cUL
LXWCD030S150PS-20	120~277Vac ± 10%	30W	7-20V	1500mA	1500mA	83%@120V 84%@240V 84%@277V	UL/cUL
LXWCD030S160PS-20	120~277Vac ± 10%	30W	6-19V	1600mA	1600mA	83%@120V 84%@240V 84%@277V	UL/cUL
LXWCD030S170PS-20	120~277Vac ± 10%	30W	6-18V	1700mA	1700mA	83%@120V 84%@240V 84%@277V	UL/cUL
LXWCD030S180PS-20	120~277Vac ± 10%	30W	6-17V	1800mA	1800mA	83%@120V 84%@240V 84%@277V	UL/cUL
LXWCD030S180PS-20	120~277Vac ± 10%	30W	6-16V	1900mA	1900mA	83%@120V 84%@240V 84%@277V	UL/cUL
LXWCD030S180PS-20	120~277Vac ± 10%	30W	5-15V	2000mA	2000mA	83%@120V 84%@240V 84%@277V	UL/cUL
LXWCD030S180PS-20	120~277Vac ± 10%	30W	5-14V	2100mA	2100mA	82%@120V 83%@240V 83%@277V	UL/cUL
LXWCD030S180PS-20	120~277Vac ± 10%	30W	5-14V	2200mA	2200mA	82%@120V 83%@240V 83%@277V	UL/cUL
LXWCD030S180PS-20	120~277Vac ± 10%	30W	5-13V	2300mA	2300mA	82%@120V 83%@240V 83%@277V	UL/cUL
LXWCD030S180PS-20	120~277Vac ± 10%	30W	5-12.5V	2400mA	2400mA	82%@120V 83%@240V 83%@277V	UL/cUL
LXWCD030S180PS-20	120~277Vac ± 10%	30W	4-12V	2500mA	2500mA	82%@120V 83%@240V 83%@277V	UL/cUL

■ **Technical Data**

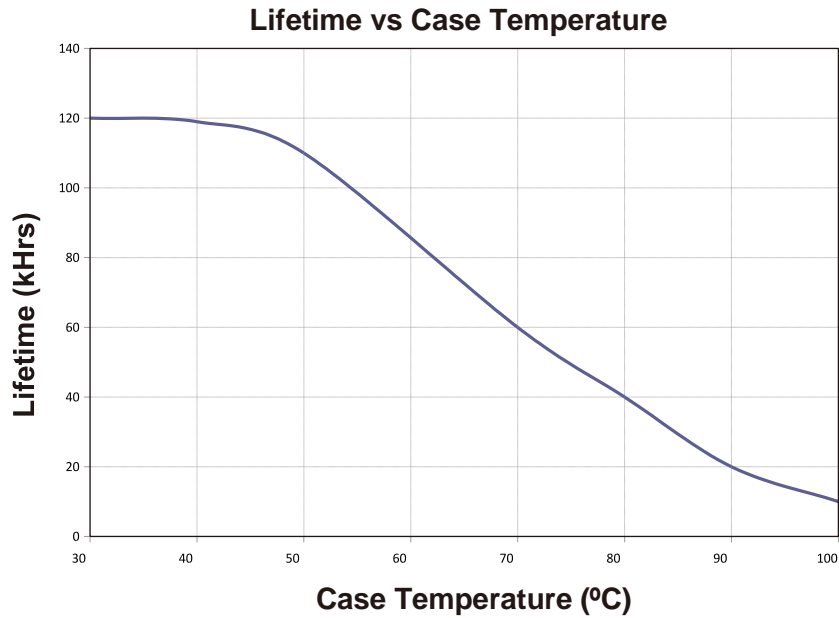
Input voltage range	120~277Vac ± 10%
Frequency	50/60Hz
Power factor	> 0.9 under 120~277Vac input with 80~100% load condition (for all output currents)
Inrush current	7A @230V
Max input current	0.36A @120V, 0.19A @240V, 0.16A @277V
THD	< 20% under 120~277Vac input with 80~100% load condition (for all output currents)
Load Regulation	± 2%
Line Regulation	± 1%
Current Tolerance	± 5% at full load condition
Turn-on Delay Time	< 0.75s at full load condition
Overshoot	< 10% at full load condition
No Load Power Consumption	1W
Ripple & Noise (pk-pk)	< 10%
Withstand voltage	Input to output, 4,000Vdc, 2mA
Leakage current	Maximum 0.5mA at 277Vac, 60Hz input
Protection	Over voltage protection: Hiccup mode. Protection will trigger when load voltage exceeds specified output voltage and will auto recover after the fault mode is removed. Over current protection: Hiccup mode. Protection will trigger when load current exceeds specified output current and will auto recover after the fault mode is removed. Short circuit protection: Hiccup mode. Protection will trigger when short circuit and will auto recover after the fault mode is removed.
Operating temperature	-40 to 60°C
Storage temperature	-40 to 85°C
Humidity	5% to 95%
MTBF	324,000 hours at 40°C ambient (~70°C case temp)
Life rating	85,000 hours at 120Vac input, 100% load and 60°C case temp
Maximum case Temperature	90°C
Length (L)	5.35" (136mm)
Width (W)	1.72" (44mm)
Height (H)	0.99" (25mm)
Mounting (M)	4.88" (124mm)
Packing	0.23kg/unit; 40pcs/carton; 2400pcs/pallet

Technical Sales / Customer Service: +1-818-338-7788 • Email: sales@autec.com
31328 Via Colinas Suite 102 • Westlake Village, CA 91362 USA • www.autec.com

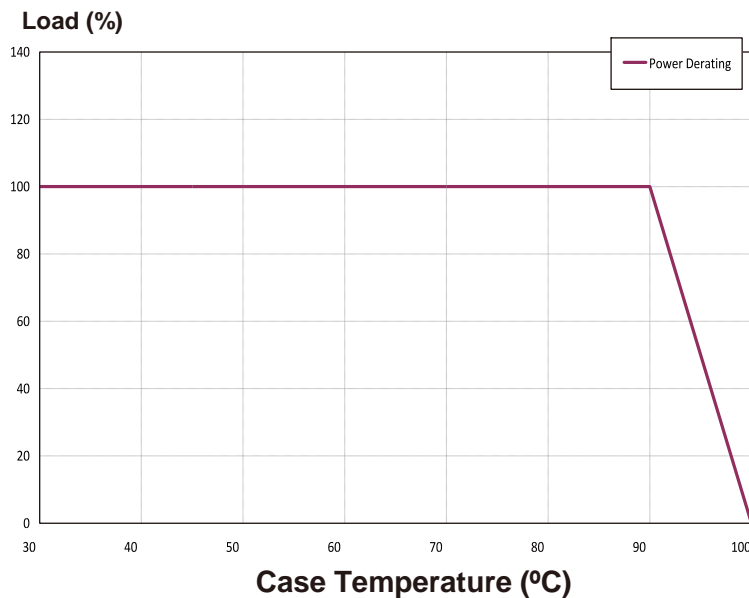
■ **Safety Compliance**

UL/cUL	UL 8750
CE	EN61347-1, EN61347-2-13
FCC, 47CFR Part 15	ANSI C63.4:2009 Class B (Consumer Limit)
EN61000-3-2	Harmonic Current Emissions Class C

■ **Lifetime vs Case Temperature**

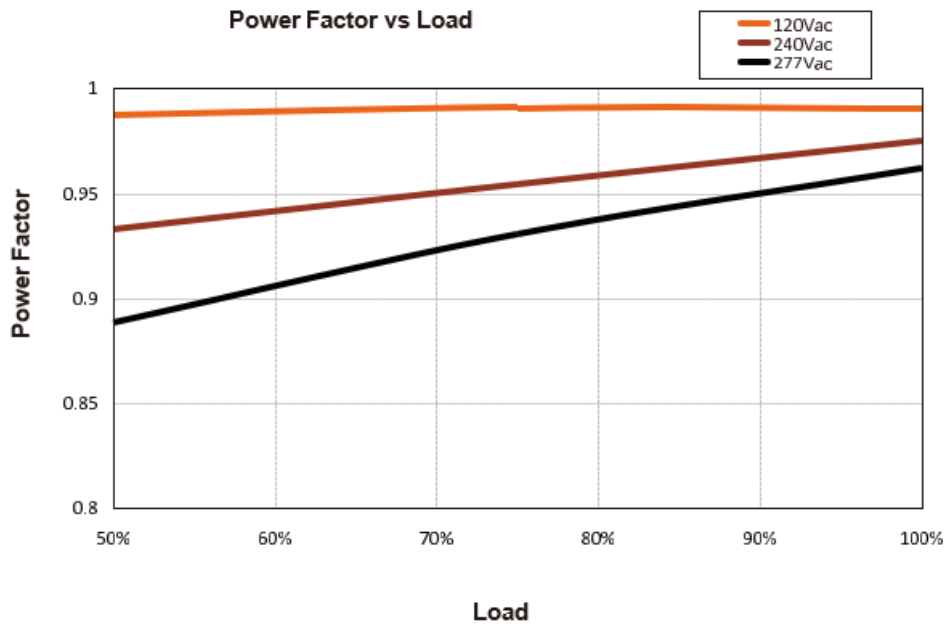


■ **Power Derating vs Case Temperature**

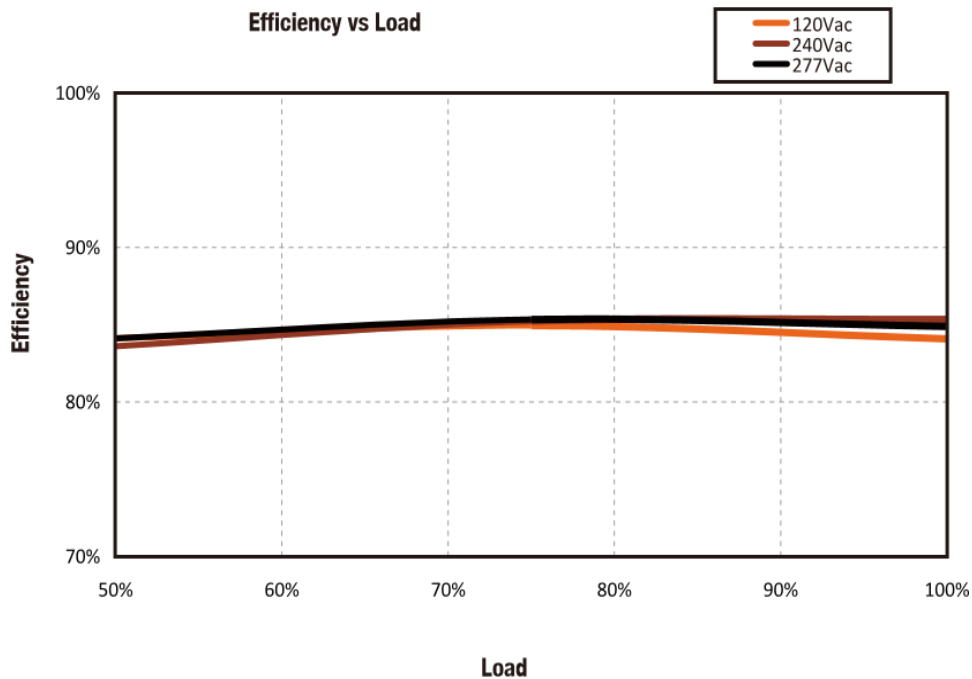


Technical Sales / Customer Service: +1-818-338-7788 • Email: sales@autec.com
31328 Via Colinas Suite 102 • Westlake Village, CA 91362 USA • www.autec.com

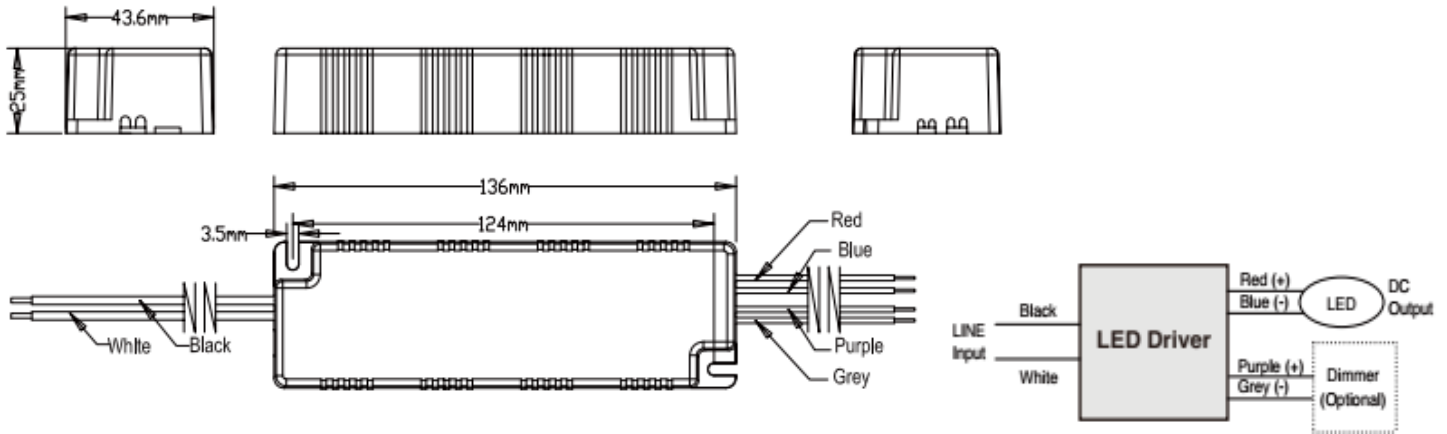
■ **Power Factor vs Load** LXWCD030S125PS-20



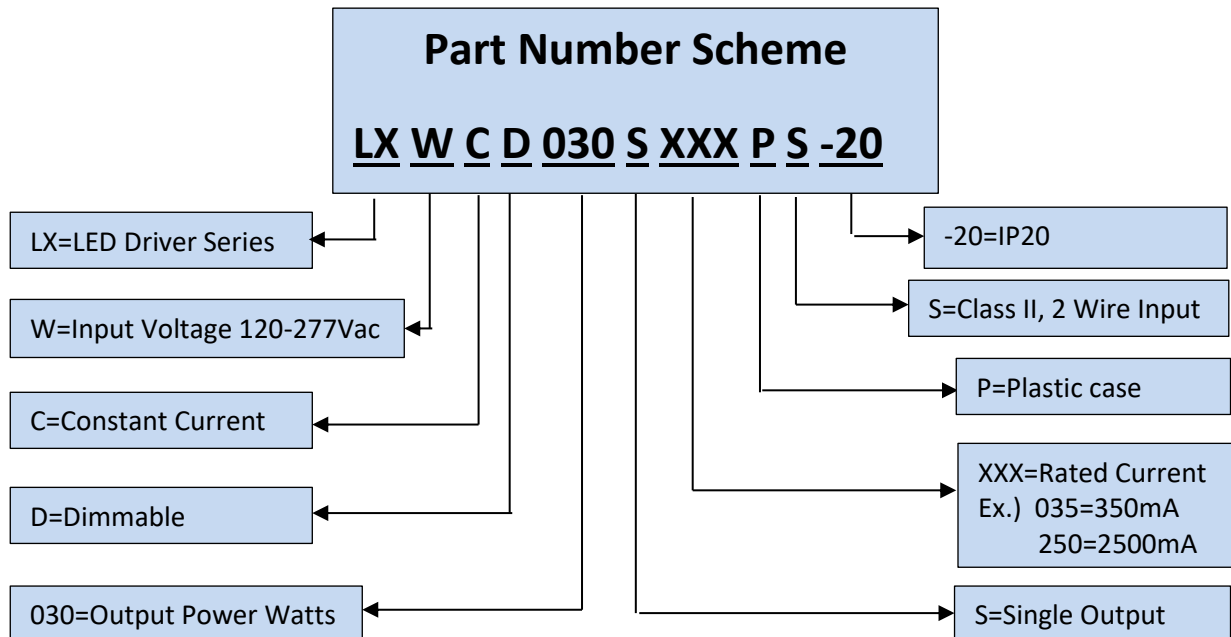
■ **Efficiency vs Load** LXWCD030S125PS-20



■ **Wiring Diagram**



Wire Specifications	
Input	12", UL 1316 #18AWG (Black and White)
Output	12", UL 1316 #18AWG (with Non-Class 2 output)
Output	12", UL 1316/1430 #22AWG (with Class 2 output) (Red and Blue)
Dimming	12", UL 1316-1430 #22AWG (Purple and Grey)



***Product images are for illustrative purposes only and may vary from actual design.**

***Specifications are subject to change without notice. Autec is not responsible for issues arising from errors or omissions.**