

■ Features

- Power Rating: 16W
- Input Voltage: 120-277Vac ± 10%
- Constant current design
- Fixed Output current(280mA-660mA)
- Efficiency to 83%
- Dimmable with 0-10V dimmer
- UL Class 2
- OVP, OCP, SCP
- IP20
- 5-year warranty
- Metal case



*Product images are for illustrative purposes only and may vary from actual design.

■ Application

- Dry and damp locations

■ Model List*(See part number scheme for model number details)

Model Number	Input Voltage Range	Output Power	Output Voltage	Output Current Min.	Output Current Max.	Efficiency	Certification
LXWCD016S028SS-20	120~277Vac ± 10%	16W	29-58V	280mA	280mA	83% @120V 81% @240V 80% @277V	UL/-
LXWCD016S029SS-20	120~277Vac ± 10%	16W	27-54V	290mA	290mA	83% @120V 80% @240V 80% @277V	UL/-
LXWCD016S035SS-20	120~277Vac ± 10%	16W	23-46V	350mA	350mA	82% @120V 80% @240V 80% @277V	UL/-
LXWCD016S040SS-20	120~277Vac ± 10%	16W	20-40V	400mA	400mA	82% @120V 80% @240V 80% @277V	UL/cUL
LXWCD016S050SS-20	120~277Vac ± 10%	16W	16-32V	500mA	500mA	82% @120V 80% @240V 80% @277V	UL/cUL
LXWCD016S060SS-20	120~277Vac ± 10%	16W	14-27V	600mA	600mA	82% @120V 80% @240V 80% @277V	UL/cUL
LXWCD016S066SS-20	120~277Vac ± 10%	16W	12-24V	660mA	660mA	82% @120V 80% @240V 80% @277V	UL/cUL

Technical Sales / Customer Service: +1-818-338-7788 • Email: sales@autec.com
 31328 Via Colinas Suite 102 • Westlake Village, CA 91362 USA • www.autec.com

■ **Technical Data**

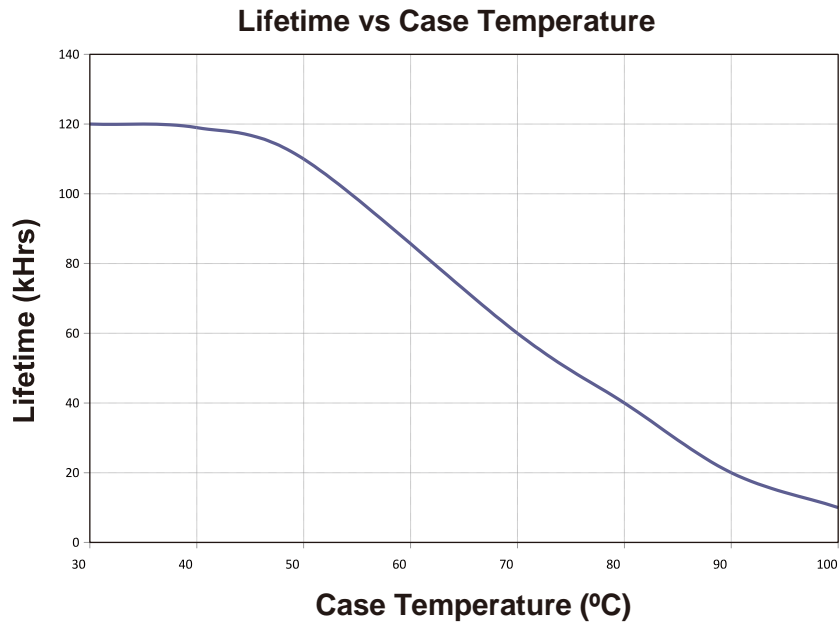
Input voltage range	120~277Vac \pm 10%
Frequency	50/60Hz
Power factor	> 0.9 under 120~277Vac input with 80~100% load condition (for all output currents)
Inrush current	7A @ 230V
Max input current	0.17A @120V, 0.07A @240V, and 0.08A @277V
THD	< 20% under 120~277Vac input with 80~100% load condition (for all output currents)
Load Regulation	\pm 2%
Line Regulation	\pm 1%
Current Tolerance	\pm 5% at full load condition
Turn-on Delay Time	< 0.75s at full load condition
Overshoot	< 10% at full load condition
No Load Power Consumption	< 1W
Ripple & Noise (pk-pk)	< 10%
Withstand voltage	Input to output, 2,800Vdc, 2mA
Leakage current	Maximum 0.5mA at 277Vac, 60Hz input
Protection	Over voltage protection: Hiccup mode. Protection will trigger when load voltage exceeds specified output voltage and will auto recover after the fault mode is removed. Over current protection: Hiccup mode. Protection will trigger when load current exceeds specified output current and will auto recover after the fault mode is removed. Short circuit protection: Hiccup mode. Protection will trigger when short circuit and will auto recover after the fault mode is removed.
Length (L)	4.80" (122mm)
Width (W)	1.58" (40mm)
Height (H)	0.96" (25mm)
Mounting (M)	4.29" (109mm)
Packing	0.22kg/unit; 60 pcs/carton; 2700pcs/pallet
Operating temperature	-40 to 60°C
Storage temperature	-40 to 85°C
Humidity	5% to 95%
MTBF	376,000 hours at 40°C ambient (~70°C case temp)
Life rating	85,000 hours at 120Vac input, 100% load and 60°C case temperature
Maximum case Temperature	90°C

Technical Sales / Customer Service: +1-818-338-7788 • Email: sales@autec.com
31328 Via Colinas Suite 102 • Westlake Village, CA 91362 USA • www.autec.com

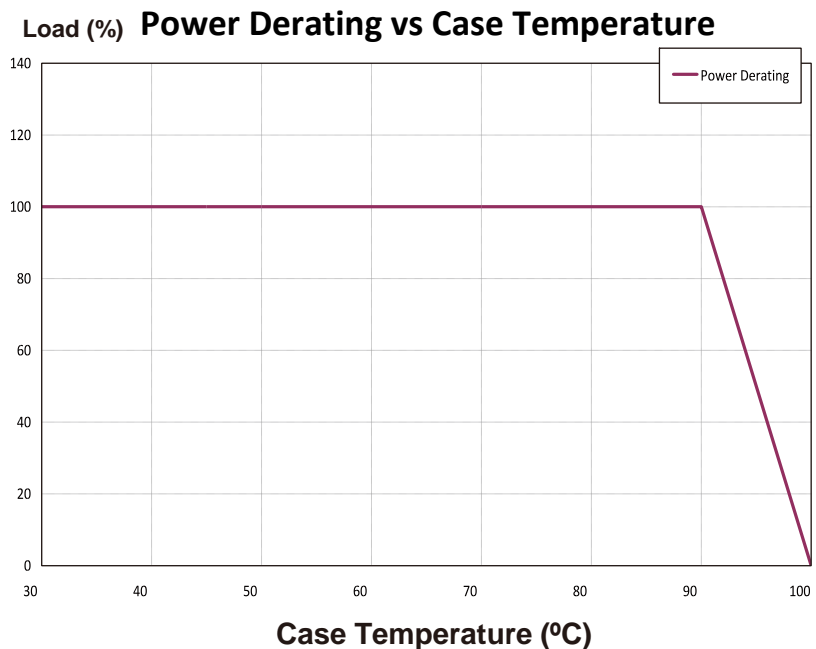
■ **Safety Compliance**

UL/cUL	UL 8750, Type HL
CE	EN61347-1, EN61347-2-13
FCC, 47CFR Part 15	ANSI C63.4:2009 Class B (Consumer Limit)
EN61000-3-2	Harmonic Current Emissions Class C

■ **Lifetime vs Case Temperature**

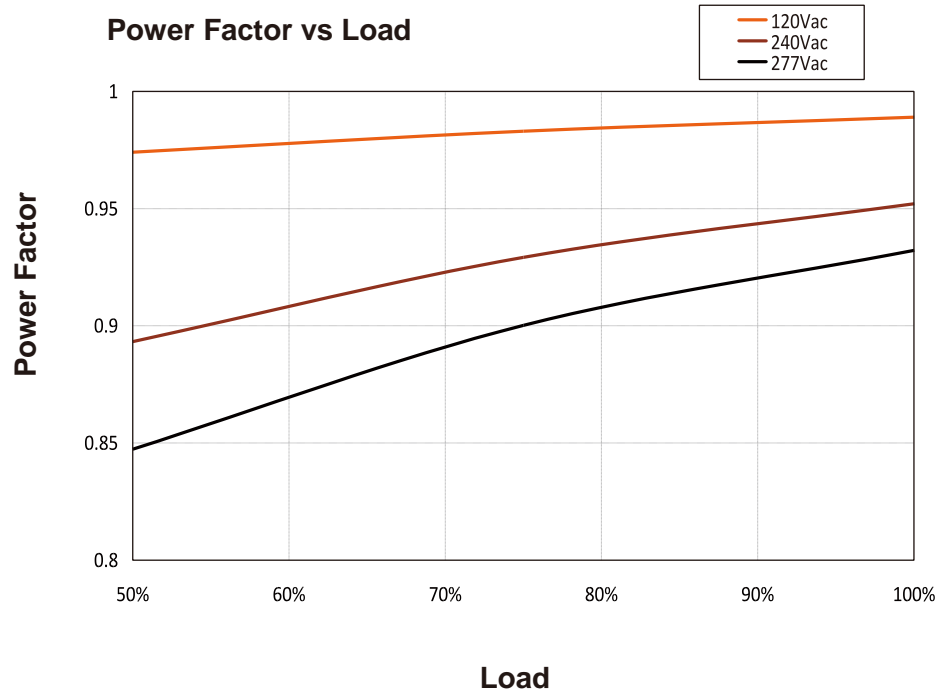


■ **Power Derating vs Case Temperature**

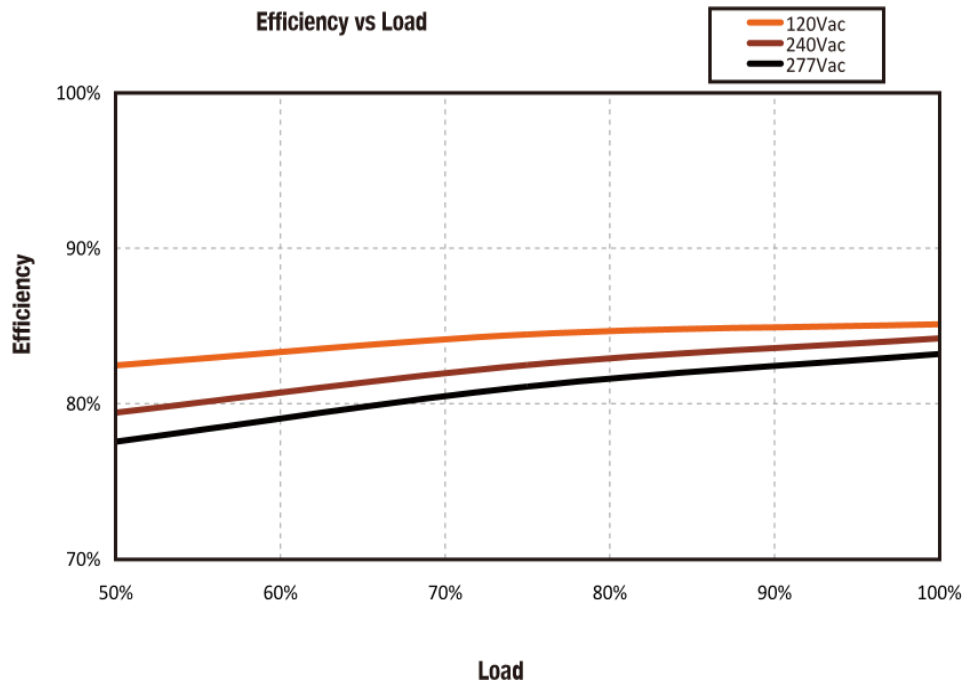


Technical Sales / Customer Service: +1-818-338-7788 • Email: sales@autec.com
 31328 Via Colinas Suite 102 • Westlake Village, CA 91362 USA • www.autec.com

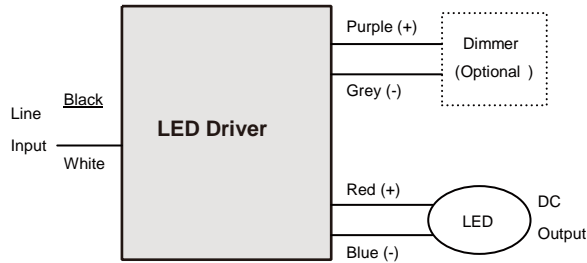
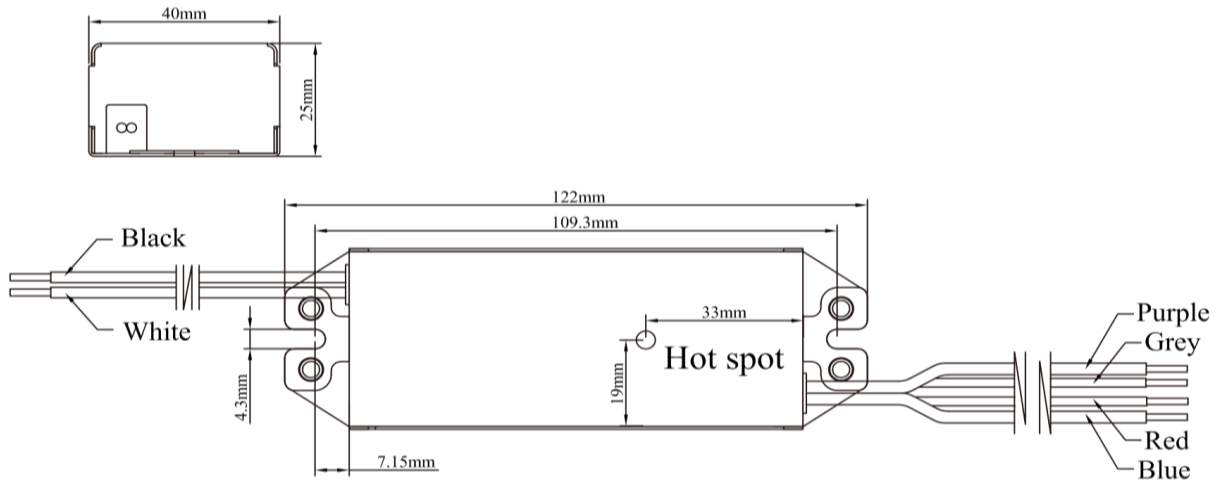
■ Power Factor vs Load



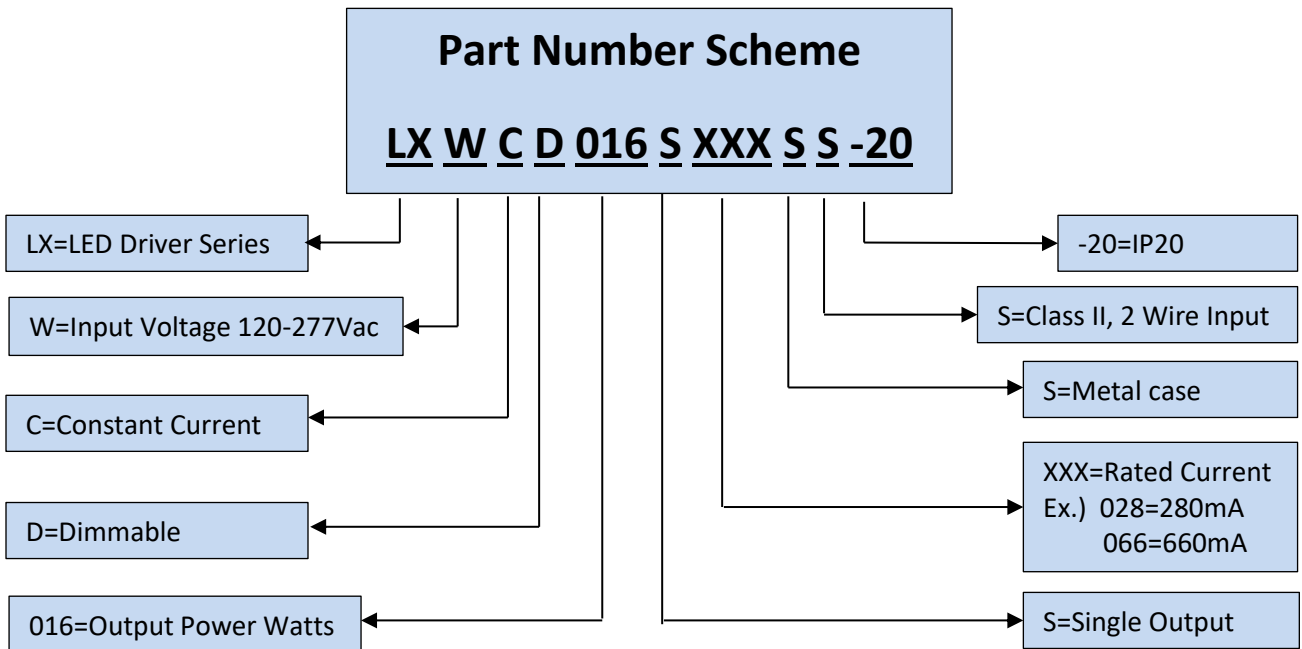
■ Efficiency vs Load



■ **Wiring Diagram**



Wire Specifications	
Input	12", UL 1316 #18AWG (Black and White)
Output	12", UL 1316 #18AWG (Red and Blue)
Dimming	12", UL 1316/1430 #22AWG (Purple and Grey)



*Product images are for illustrative purposes only and may vary from actual design.

*Specifications are subject to change without notice. Autec is not responsible for issues arising from errors or omissions.