

■ Features

- Power Rating: 24W
- Input Voltage: 120Vac ± 10%
- Constant voltage design
- Output current(0-2000mA)
- Efficiency up to 85%
- UL Class 2
- OCP, OVP, SCP
- 5-year warranty
- IP20
- 5-year warranty
- Sign Components Manual (SAM)



*Product images are for illustrative purposes only and may vary from actual design.

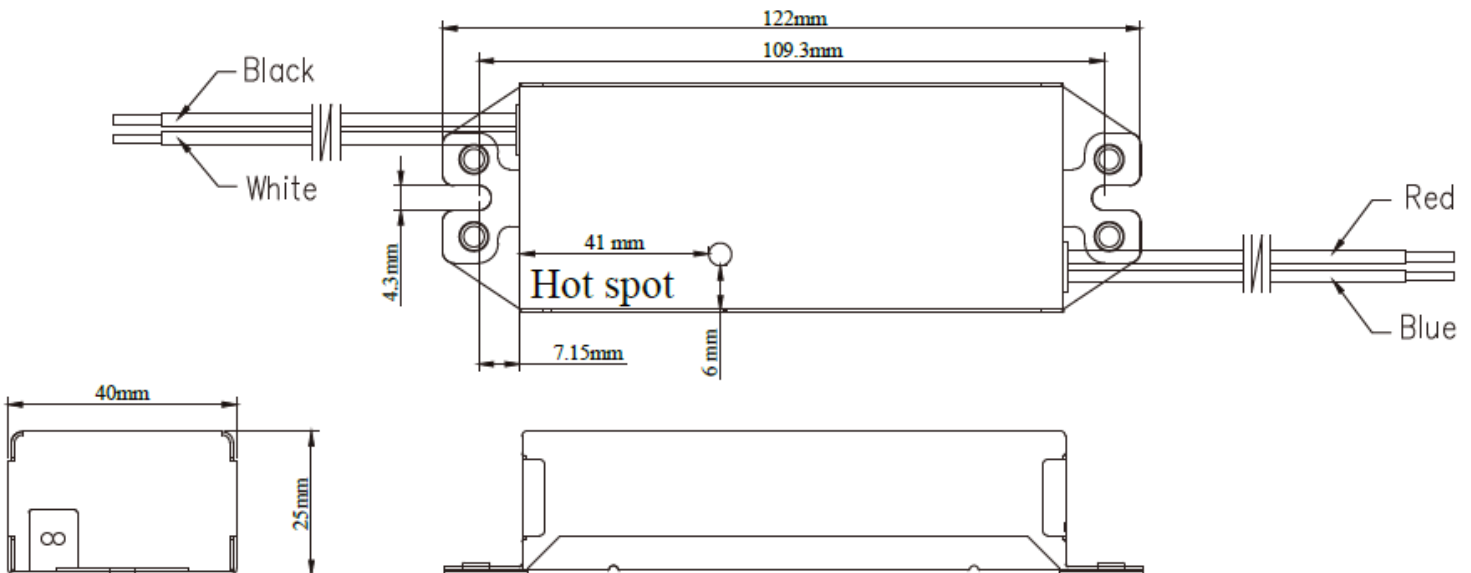
■ Application

- Indoor lights

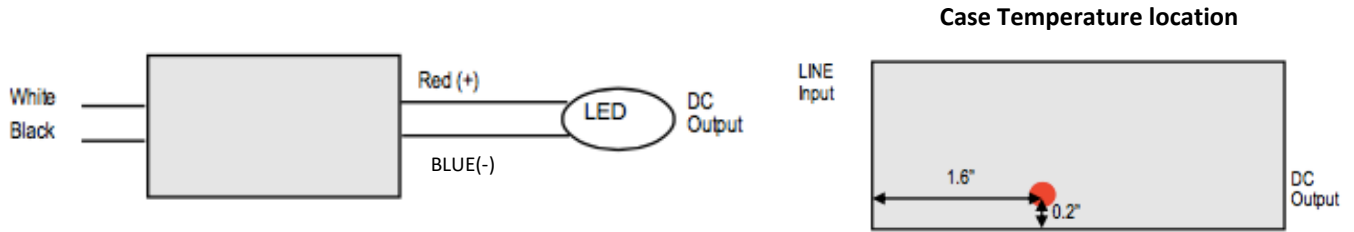
■ Model List*(See part number scheme for model number details)

Model Number	Input Voltage Range	Output Power	Output Voltage	Output Current Min.	Output Current Max.	Efficiency	Certification
LXLV-024S012SS-20	120Vac ± 10%	100W	12V	0mA	2000mA	81% @120V	UL/cUL
LXLV-024S024SS-20	120Vac ± 10%	100W	24V	0mA	1000mA	85% @120V	UL/cUL

■ Wiring Diagram



■ Wiring Diagram(Cont.)



Input: 12", UL 1316 #18AWG (White, Black)
 Output: 12", UL 1316 #18AWG (Red and Blue)

■ Technical Data

Input voltage range	120Vac ± 10%
Frequency	50/60Hz
Power factor	> 0.9 @ full load, 120 through 277V
Inrush current	7A @ 120V
Max input current	0.28A @ 120V
THD	< 20%
Load Regulation	± 2%
Line Regulation	± 1%
Current Tolerance	± 5% at full load condition
Overshoot	< 10% @ full load condition
No Load Power Consumption	<1.5W
Ripple & Noise (pk-pk)	<10%
Withstand voltage	I/P – O/P 2800 Vdc, 2mA
Leakage current	0.5mA @ 120Vac
Protection	Over voltage protection: Hiccup mode. Auto recover after the fault mode is removed. Over current protection: Hiccup mode. Auto recover after the fault mode is removed. Short circuit protection: Hiccup mode. Auto recover after the fault mode is removed.

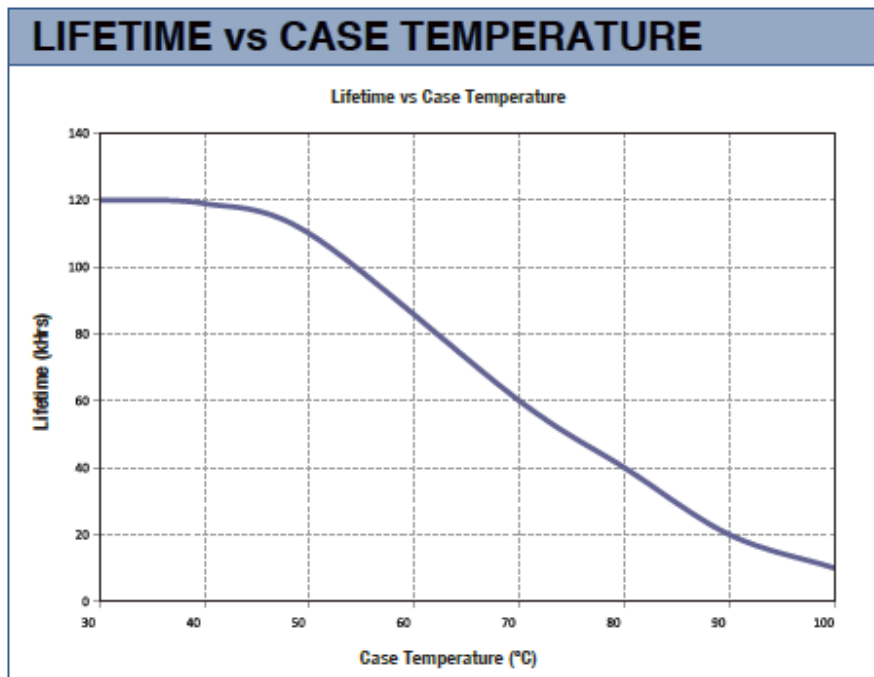
■ **Technical Data(Cont.)**

Operating temperature	-40 to 60°C
Storage temperature	-40 to 85°C
Humidity	5% to 95% RH
MTBF	376,000 hours at 40°C ambient (~70°C case temp)
Life rating	85,000 hours at 120Vac input, 100% load and 60°C case temperature
Maximum case Temperature	90°C
Length (L)	4.80" (122mm)
Width (W)	1.58" (40mm)
Height (H)	0.96" (25mm)
Mounting (M)	4.29" (109mm)

■ **Safety Compliance**

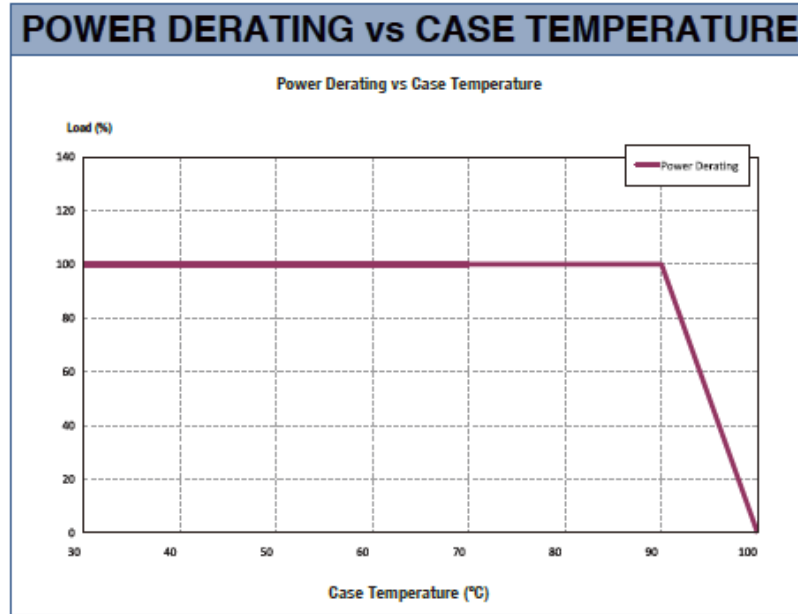
UL/cUL	UL 8750 pending
EMC Immunity	EN61000-3-2, FCC, 47CFR Part 15 Class B (Consumer Limit)

■ **Lifetime vs Case Temperature**

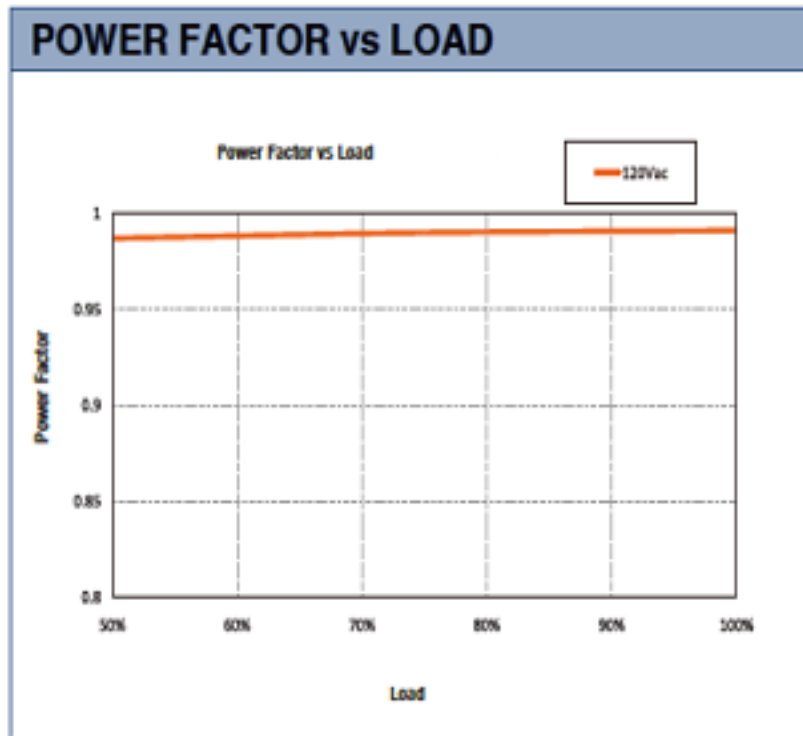


Technical Sales / Customer Service: +1-818-338-7788 • Email: sales@autec.com
 31328 Via Colinas Suite 102 • Westlake Village, CA 91362 USA • www.autec.com

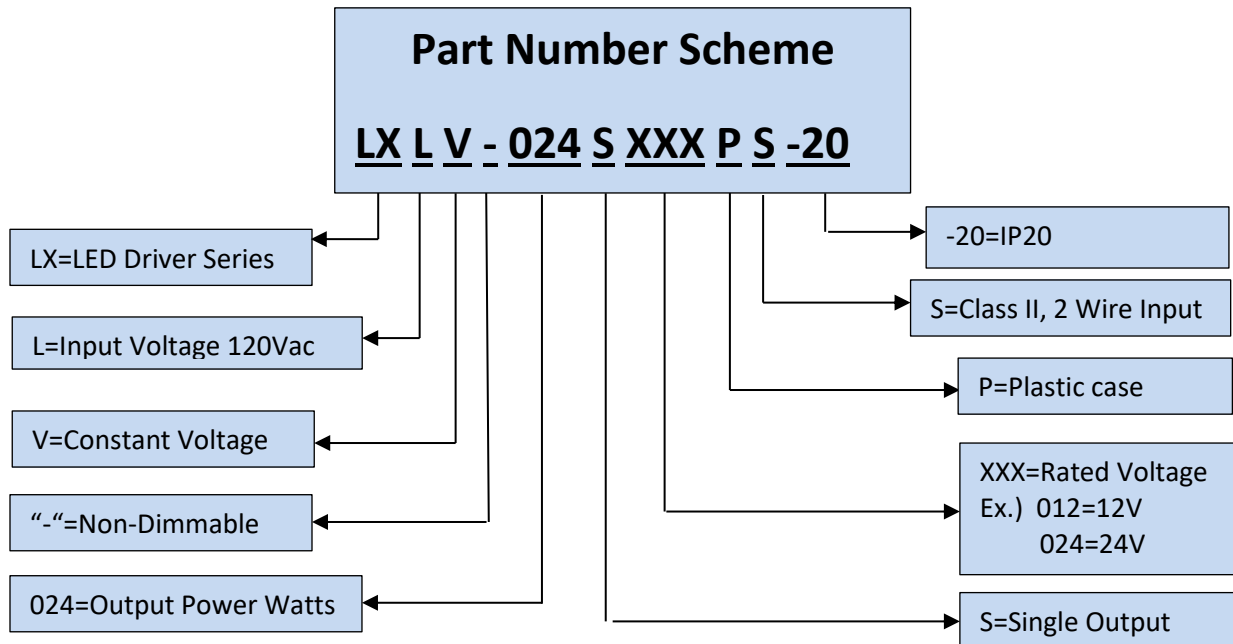
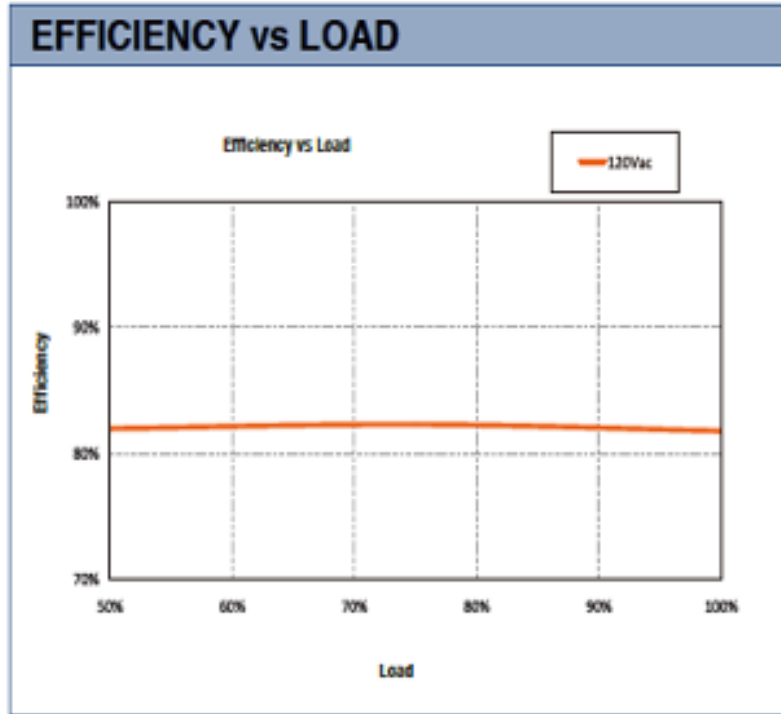
■ Power Derating vs Case Temperature



■ Power Factor vs Load



■ Efficiency vs Load



*Product images are for illustrative purposes only and may vary from actual design.

*Specifications are subject to change without notice. Autec is not responsible for issues arising from errors or omissions.

Technical Sales / Customer Service: +1-818-338-7788 • Email: sales@autec.com
31328 Via Colinas Suite 102 • Westlake Village, CA 91362 USA • www.autec.com