

■ Features

- Power Rating: 14W
- Input Voltage: 120VAC ± 10%
- Constant voltage design
- Output current(0-390mA)
- Efficiency up to 83%
- UL Class 2
- OCP, OVP, SCP
- IP 20
- 5-year warranty
- Sign Components Manual (SAM)



*Product images are for illustrative purposes only and may vary from actual design.

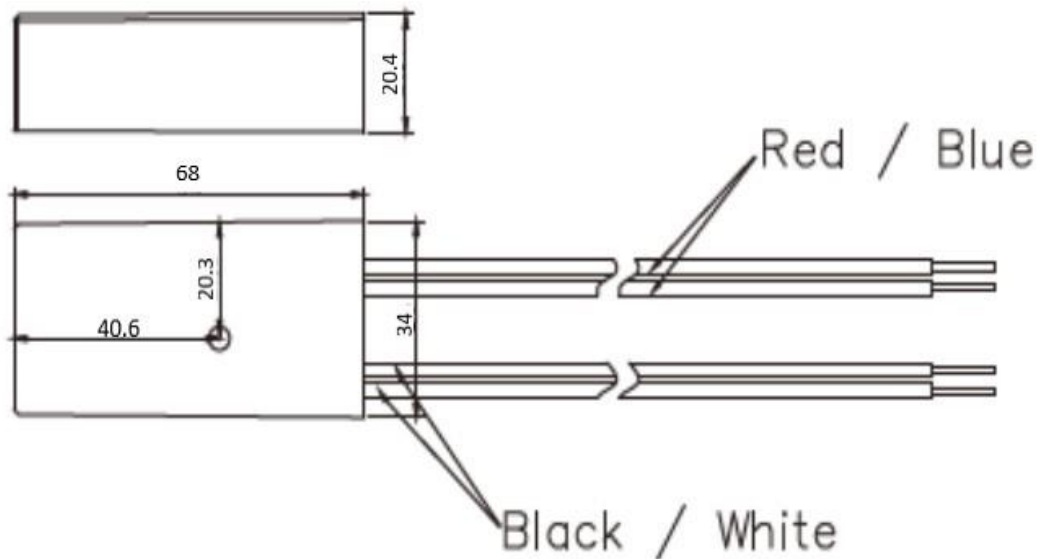
■ Application

- Indoor lights

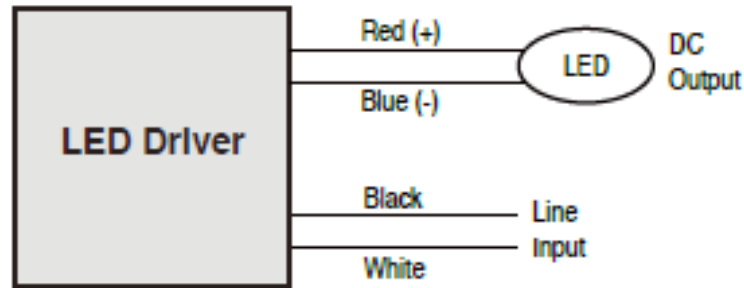
■ Model List*(See part number scheme for model number details)

Model Number	Input Voltage Range	Output Power	Output Voltage	Output Current Min.	Output Current Max.	Efficiency	Certification
LXLV-014S036PS-20	120Vac ± 10%	14W	36V	0mA	390mA	83% @120V	UL/cUL

■ Wiring Diagram



■ **Wiring Diagram(cont.)**



Input: 12", UL 1569 #18AWG (White, Black)
Output: 12", UL 1430 #22AWG (Red and Blue)

■ **Technical Data**

Input voltage range	120Vac \pm 10%
Frequency	50/60Hz
Power factor	> 0.7 @ full load, 120 through 277V
Inrush current	7A @ 120V
Max input current	0.19A @ 120V
THD	<100%
Load Regulation	\pm 2%
Line Regulation	\pm 1%
Current Tolerance	\pm 5% at full load condition
Overshoot	< 10% at full load condition
No Load Power Consumption	<1W
Ripple & Noise (pk-pk)	<10%
Withstand voltage	Input to output, 2,800Vdc, 2mA
Leakage current	Maximum 0.5mA at 277Vac, 60Hz input
Protection	<p>Over voltage protection: Hiccup mode. Auto recover after the fault mode is removed.</p> <p>Over current protection: Hiccup mode. Auto recover after the fault mode is removed.</p> <p>Short circuit protection: Hiccup mode. Auto recover after the fault mode is removed.</p>

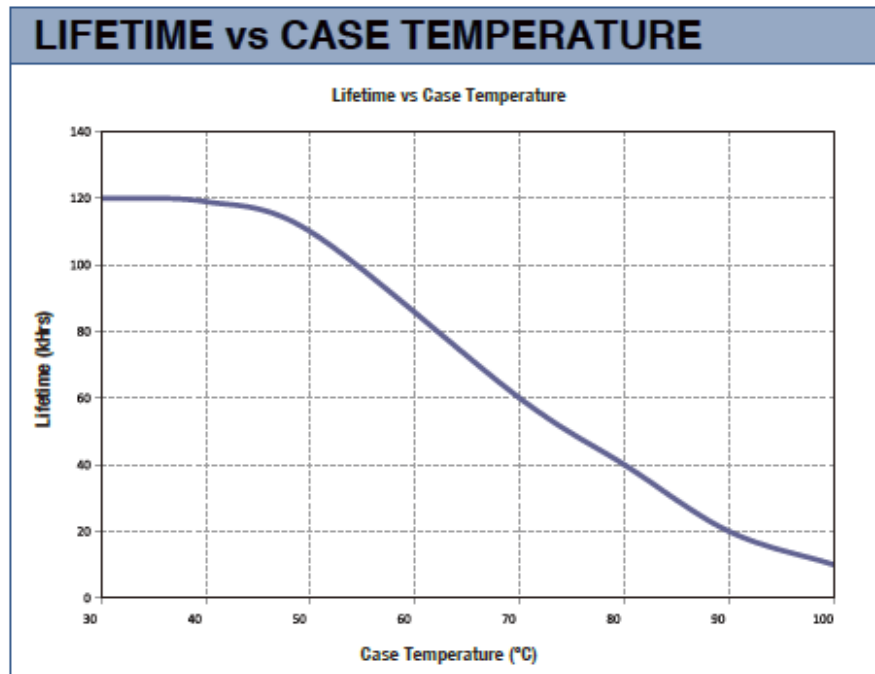
■ Technical Data(Cont.)

Operating temperature	-40 ~ 60°C
Storage temperature	-40 ~ 85°C
Humidity	5% ~ 95% RH
MTBF	583,000 hours at 40°C ambient (~70°C case temp)
Life rating	80,000 hours at 120Vac input, 100% load and 60°C case temp
Maximum case Temperature	90°C
Length (L)	2.68" (68mm)
Width (W)	1.30" (33mm)
Height (H)	0.79" (20mm)

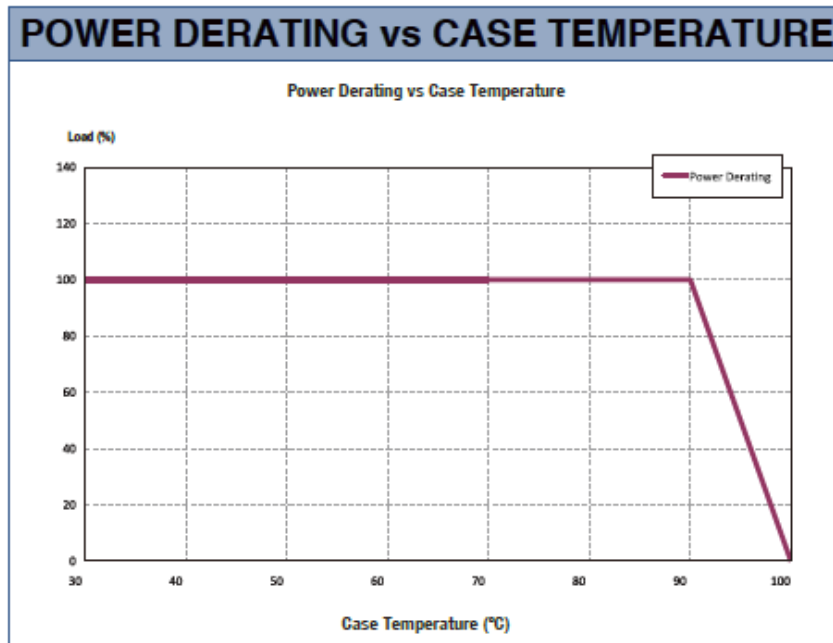
■ Safety Compliance

UL/cUL	UL 8750 and UL879 Approved
EMC Immunity	EN61000-3-2, FCC, 47CFR Part 15 Class B (Consumer Limit)

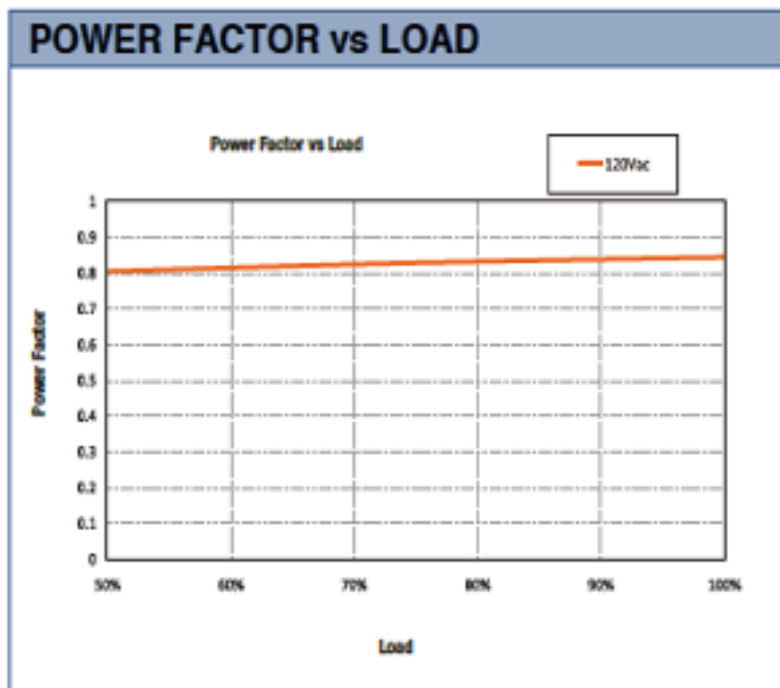
■ Lifetime vs Case Temperature



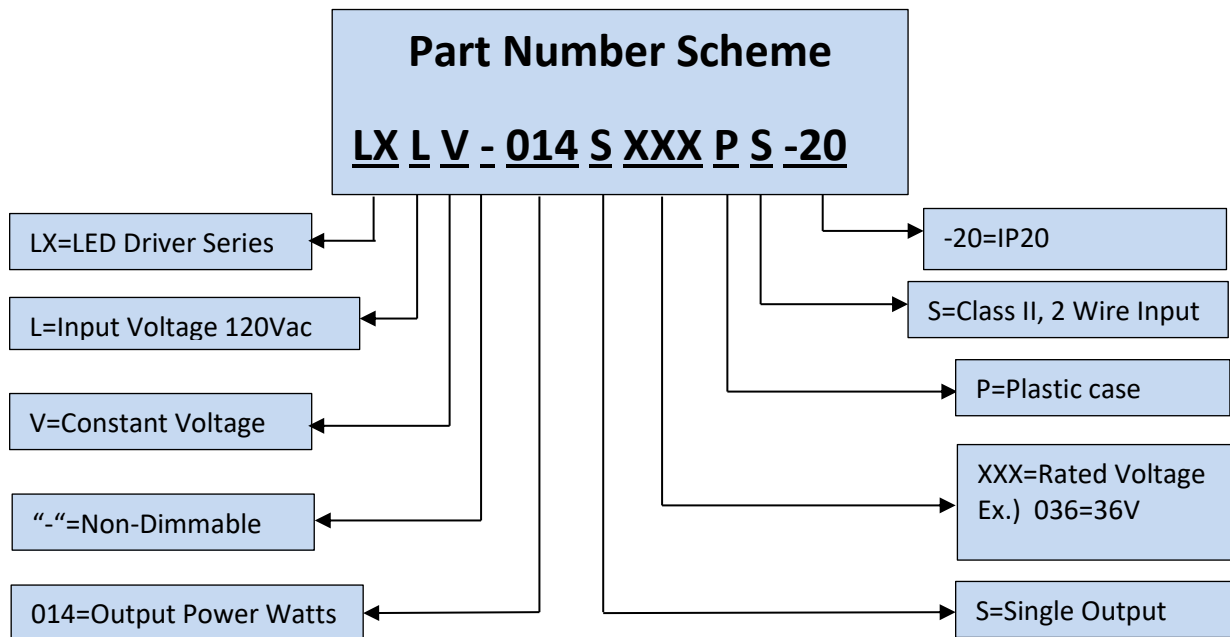
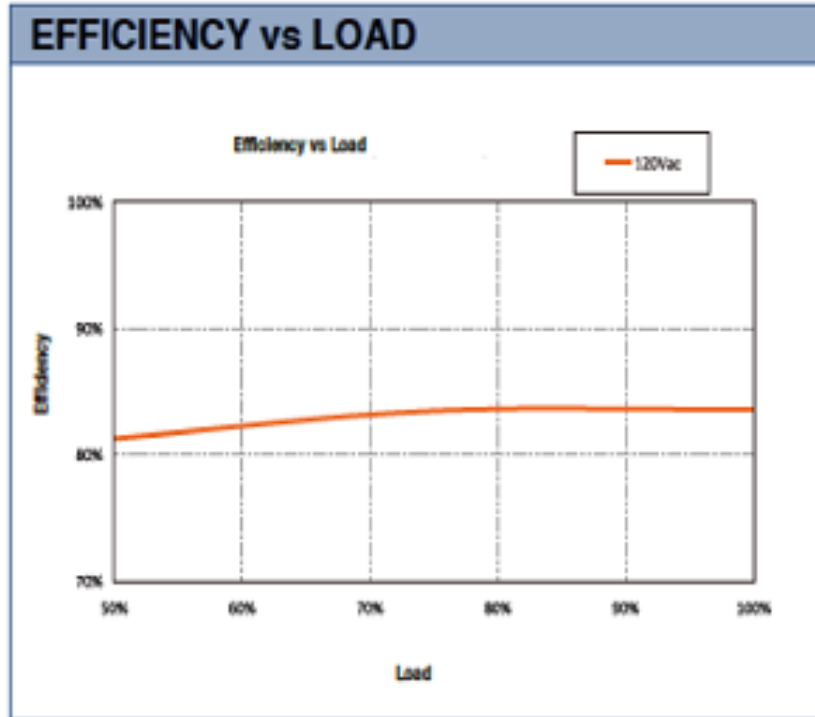
■ Power Derating vs Case Temperature



■ Power Factor vs Load



■ Efficiency vs Load



*Product images are for illustrative purposes only and may vary from actual design.

*Specifications are subject to change without notice. Autec is not responsible for issues arising from errors or omissions.

Technical Sales / Customer Service: +1-818-338-7788 • Email: sales@autec.com
31328 Via Colinas Suite 102 • Westlake Village, CA 91362 USA • www.autec.com