

■ Features

- Power Rating: 25W
- Input Voltage: 120Vac
- Constant current design
- Output currents (350mA-700mA)
- Fixed output current
- Efficiency up to 80%
- Dimmable with Triac trailing edge dimming option
- UL Class 2 Output
- OVP, SCP, & Open Circuit Protection
- IP20 or IP66
- 5-year warranty



*Product images are for illustrative purposes only and may vary from actual design.

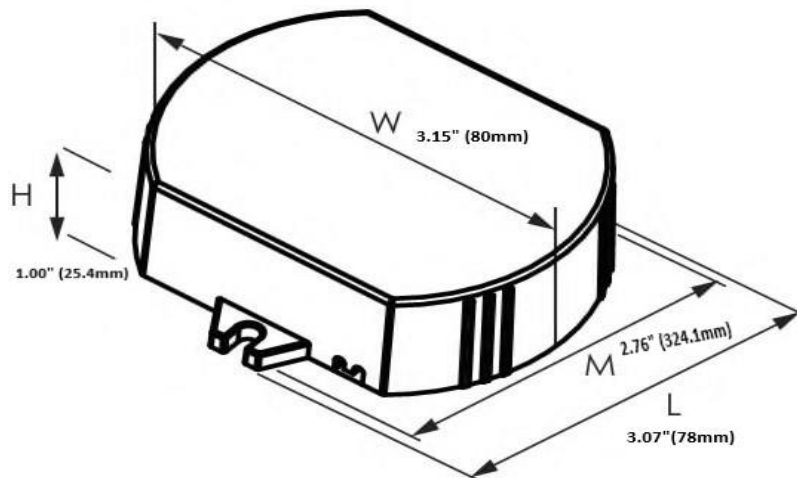
■ Application

- Indoor and outdoor lights

■ Model List*(See part number scheme for model number details)

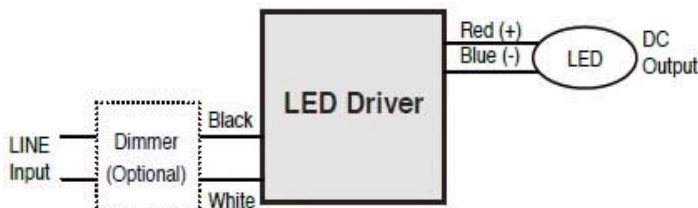
Model Number	Input Voltage Range	Output Power	Output Voltage	Output Current Min.	Output Current Max.	Efficiency	Certification
LXLCT025S035PS	120Vac ± 10%	25W	24-72V	350mA	350mA	80%	-
LXLCT025S050PS	120Vac ± 10%	25W	17-50V	500mA	500mA	80%	UL/-
LXLCT025S070PS	120Vac ± 10%	25W	12-36V	700mA	700mA	80%	UL/cUL

■ Wiring Diagram



Technical Sales / Customer Service: +1-818-338-7788 • Email: sales@autec.com
 31328 Via Colinas Suite 102 • Westlake Village, CA 91362 USA • www.autec.com

■ Wiring Diagram(Cont.)



Input Wire: 12" UL 1316 #18AWG (Black and White)
 Output Wire: 12" UL 1316/1430 #22AWG (Red and Blue)

■ Technical Data

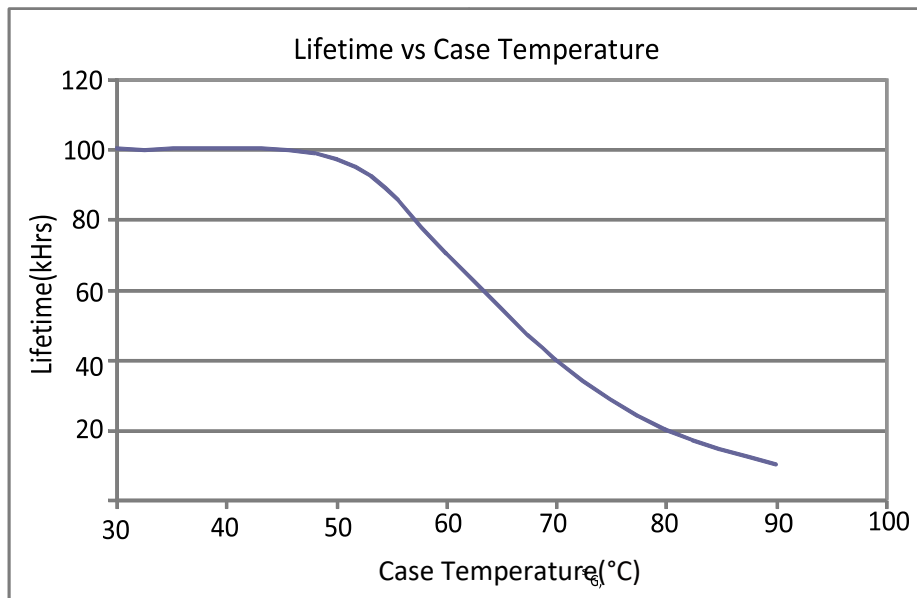
Input voltage range	120Vac ± 10%
Frequency	50/60Hz
Power factor	> 0.9 @full load, 120~277V
Inrush current	7A @230V
Max input current	0.28A @120V, 0.13A @277V
THD	< 20%
Withstand voltage	Input to output, 2,000Vac
Protection	Over voltage protection, Over current protection, Short circuit protection
Operating Temperature	-30° to 60°C
Storage Temperature	-40° to 85°C
Humidity	5% to 95%
MTBF	374,000 hours at 40°C ambient (~70°C Case temp.)
Maximum case Temperature	90°C
Length (L)	3.07" (78mm)
Width (W)	3.15" (80mm)
Height (H)	1.00" (25.4mm)
Mounting (M)	2.76" (324.1mm)
Weight	0.19kg
Packing	TBD

Technical Sales / Customer Service: +1-818-338-7788 • Email: sales@autec.com
 31328 Via Colinas Suite 102 • Westlake Village, CA 91362 USA • www.autec.com

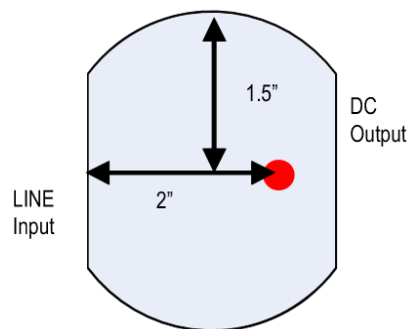
■ **Safety Compliance**

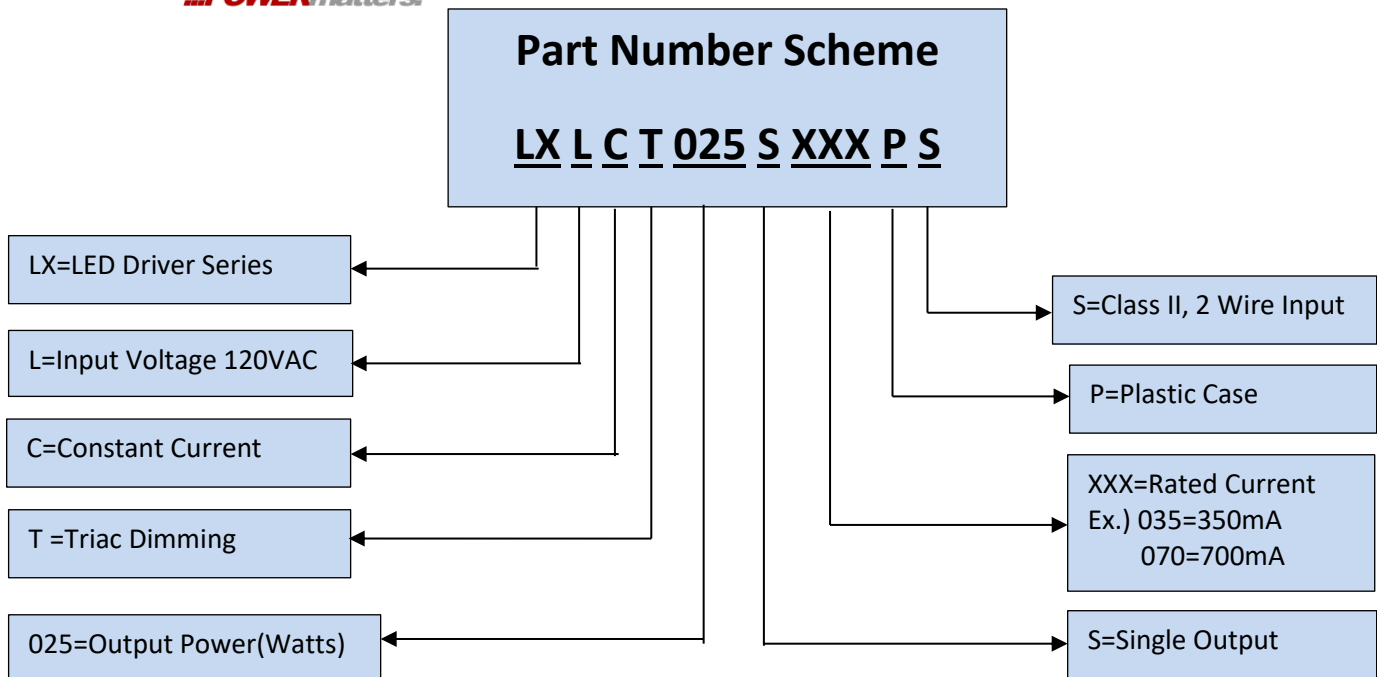
UL/cUL	UL 8750
FCC, 47CFR Part 15	Class B Consumer Limit
EN61000-3-2	Harmonic Current Emissions Class C

■ **Lifetime/Case Temp**



■ **Hottest Spot Location**





***Product images are for illustrative purposes only and may vary from actual design.**

***Specifications are subject to change without notice. Autec is not Responsible for issues arising from errors or omissions.**