

■ Features

- Power Rating: 200W
- Input Voltage: 90-305Vac or 127-420Vdc
- Constant voltage design
- Output current (0mA-8300mA)
- 0-10V/PWM/Timer/DALI/DMX (Optional) Dimmable
- Dim to Off with 0.5W Standby Power
- 12V 300mA Auxiliary power to power controllers and fans (optional)
- UL Class P, Type HL, ENEC/CB/CCC SELV Output
- OVP, SCP, & OTP
- IP67
- 5+ year warranty
- Surge Immunity 10kV



*Product images are for illustrative purposes only and may vary from actual design.

■ Application

- Strip lights, Landscape lights, Bay lights, Street lights, Flood lights
- Horticultural lighting

■ Model List

Model Number	Input Voltage Range	Output Power	Output Voltage	Output Current Min	Output Current Max	Certification
LWA200-V024-XYZ	90 ~ 305 Vac	200 W	24V	0	8.3A	UL/FCC/CB/ENEC/CCC
LWA200-V048-XYZ	90 ~ 305 Vac	200 W	48V	0	4.2A	UL/FCC/CB/ENEC/CCC

Ordering Options	XY=	Dimming Method	Programmable	12Vaux	Dim-off
	NN	-	-	-	-
	DN	0-10V	-	-	√
	EN	0-10V	-	√	√
	AN	DALI	-	-	√
Cable Options	Z=	K=UL cable with ground wire (green), S=VDE cable/Class I, D=VDE cable/Class II			

(*DMX dimming option available, contact Autec Sales for all available options)

■ Technical Data

Input Voltage	90~305Vac or 127V-420Vdc
Input Frequency	47~63Hz
Power Factor	>0.9@60-100%load, refer to PF vs. Load curve
THD	<15%@60-100%load, refer to THD vs. Load curve
Input Current	2.2Amax@120Vac & Full-Load, 1.1Amax@220Vac & Full-Load
Inrush Current	65A peak, 1.2ms duration, <0.25A2s@230Vac, Cold Start 70A peak, 1.3ms duration, <0.5A2s@277Vac, Cold Start
Leakage Current	1mA max @277Vac 60Hz, UL8750, 0.75mAmax @200Vac 50Hz, IEC61347-1
Input Under Voltage	Shut down and auto-restart
Input Over Voltage	*Optional: Shutdown @320Vac
Surge Protection	Line to line 6kV, line to ground 10kV, IEC 61000-4-5
Voltage Accuracy	±3%Vo
Setup Time	1.2s max.
Output Overshoot	10% Vo, max.
Output Over Current	120% Io, typ.
Short Circuit	Auto recovery. The output recovers when short is removed.
Over Temperature	Lower the output current when $T_c \geq 105 \pm 10^\circ\text{C}$; Auto Recovery When $T_c \leq 70 \pm 10^\circ\text{C}$
Operating Temperature	-40°C~+70°C ; 10%RH~100%RH (See Derating Curve for more details)
Storage Temperature	-40°C~+85°C; 5%RH~100%RH
MTBF	≥280,000 hours, 75°C case temperature (MIL-HDBK-217F)
Lifetime	≥100,000 hours, 75°C case temperature, refer to life vs. Tc curve
Case Temperature	90°C max, marked in the Tc point of label
Dimensions	8.46x2.66x1.32 by inch (body), 9.52x2.66x1.32 by inch (endcaps included) 215.0x67.5x33.5 by mm (body), 242.0x67.5x33.5 by mm (endcaps included)
Net Weight	1200g
Packing	12pcs/Carton/16.5kg, 500x370x335mm

Notes: Unless specified, all the test results are measured in 25°C room temperature.

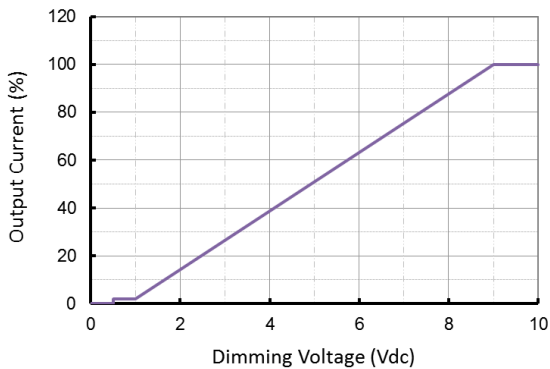
* Marked items are optional. Please contact Autec Sales to specify the required functions.

■ Dimming

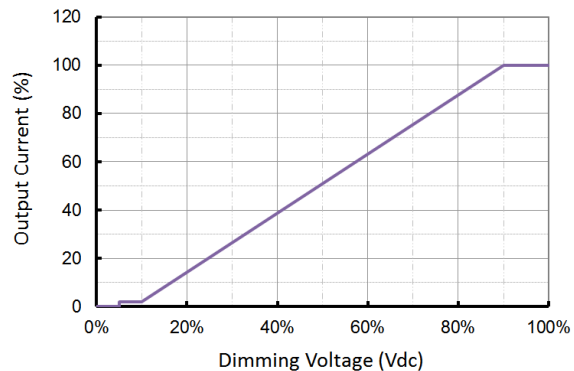
Parameter	Min.	Typ.	Max.
Vdim Sourcing Current	200uA	300uA	450uA
Vdim Allowed Input Voltage	-20 V		20 V
0-10V Dimming Range	2% (Vdim=1V)	Linear	100% (Vdim=9~10V)
PWM Dimming Range	2% (Duty=10%)	Linear	100% (Duty=90-100%)
Dim-off threshold		0.5V or 5%	0.6V or 6%
Dim-on threshold	0.6V or 6%	0.7V or 7%	
PWM High	3V		10V
PWM Low	0V		0.6V
PWM Frequency	300Hz		2kHz
External PWM Controller Current Sinking Capability	300uA		
DA1,DA2 High Level	9.5	16	22.5
DA1,DA2 Low Level	-6.5	0	6.5
DA1,DA2 Current	0		2mA

■ Dimming Curve

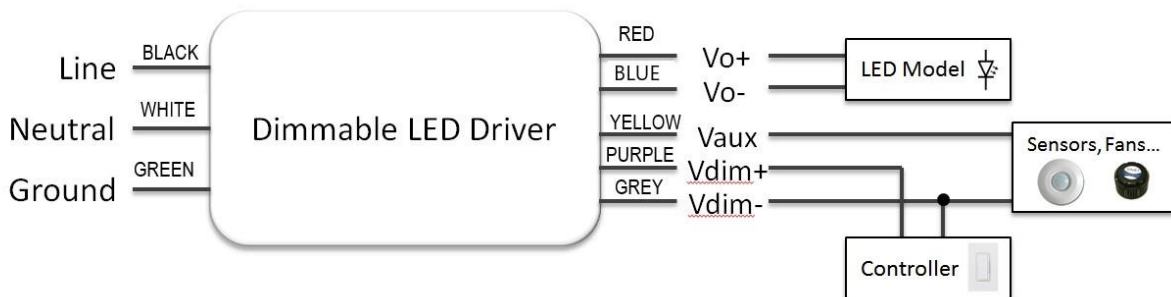
0-10V Dimming Curve



PWM Dimming Curve



■ Wiring Diagram

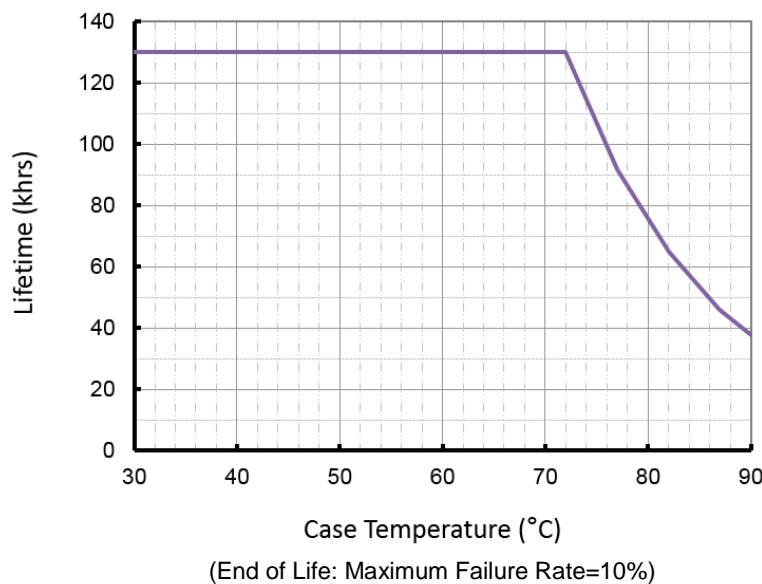


■ Safety/EMC Compliance

Safety Standards	Description
UL8750	Light emitting diode(LED) equipment for use in lighting products
UL1012	Power units other than class 2
IEC 61347-1	Lamp control gear Part 1: general and safety requirements
IEC 61347-2-13	Lamp control gear Part 2-13: particular requirement for DC or AC supplied electronic control gear for LED modules
EMI Standards	Description
IEC 55015	Conducted emission test & radiated emission test
IEC 61000-3-2	Harmonic current emissions; Class C
IEC 61000-3-3	Voltage fluctuations & flicker
FCC Part 15	ANSI C63.4:2009 Class B
EMS Standards	Description
IEC 61000-4-2	Electrostatic discharge (ESD): 8 kV air discharge, 4 kV contact discharge
IEC 61000-4-3	Radio frequency electromagnetic field susceptibility test (RS)
IEC 61000-4-4	Electrical fast transient (EFT)
IEC 61000-4-5	Surge immunity test
IEC 61000-4-6	Conducted radio frequency disturbances test (CS)
IEC 61000-4-8	Power frequency magnetic field test
IEC 61000-4-11	Voltage dips
IEC 61547	Electromagnetic immunity requirements applies to lighting equipment

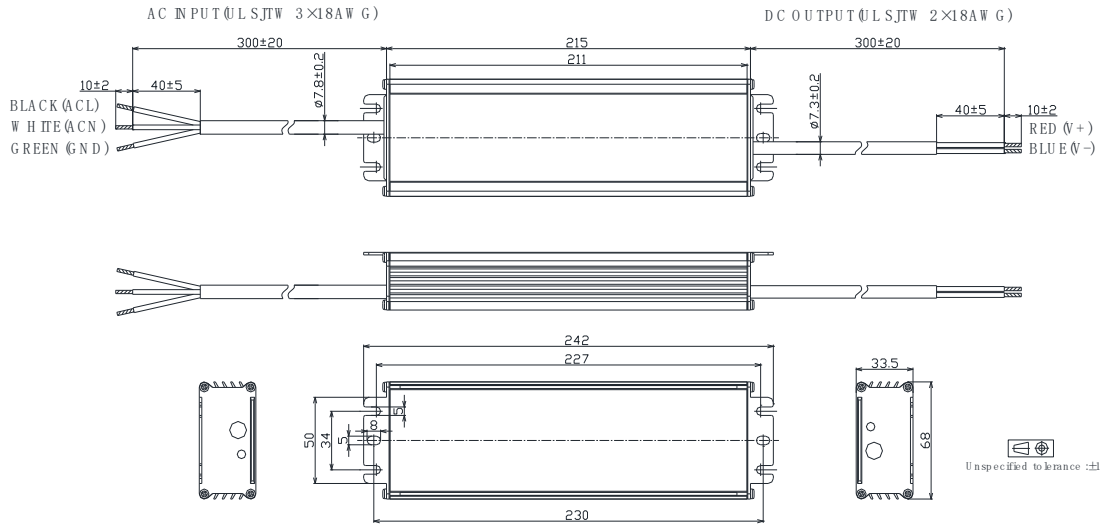
■ Lifetime vs. Case Temperature

Lifetime vs. Case Temperature

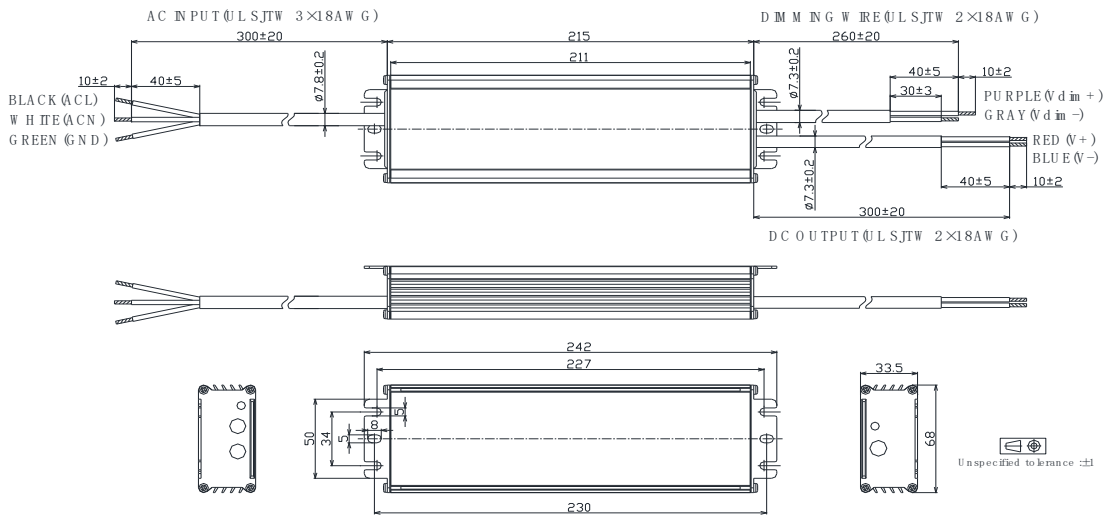


■ **Mechanical Design**

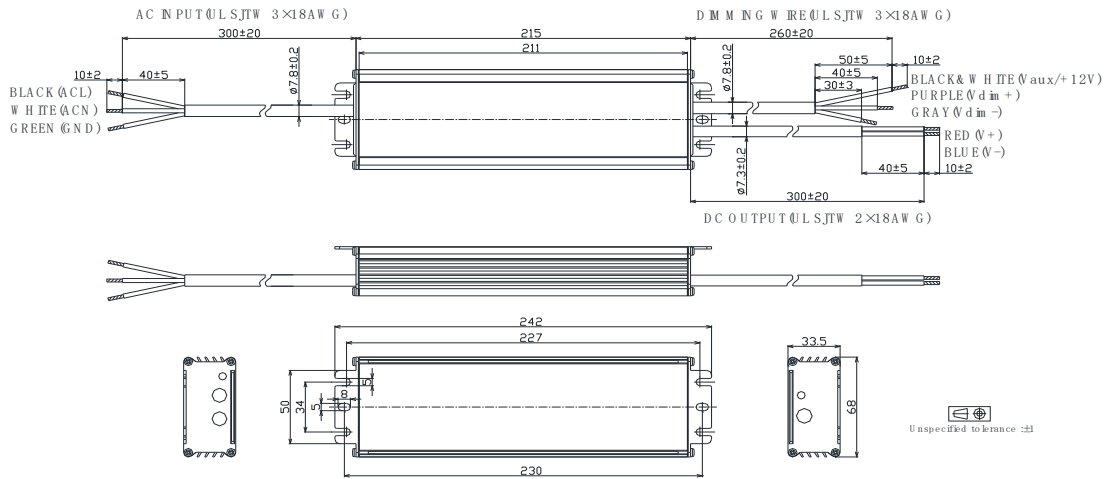
- **LWA200-Vxxx-NNK (UL Cable)**



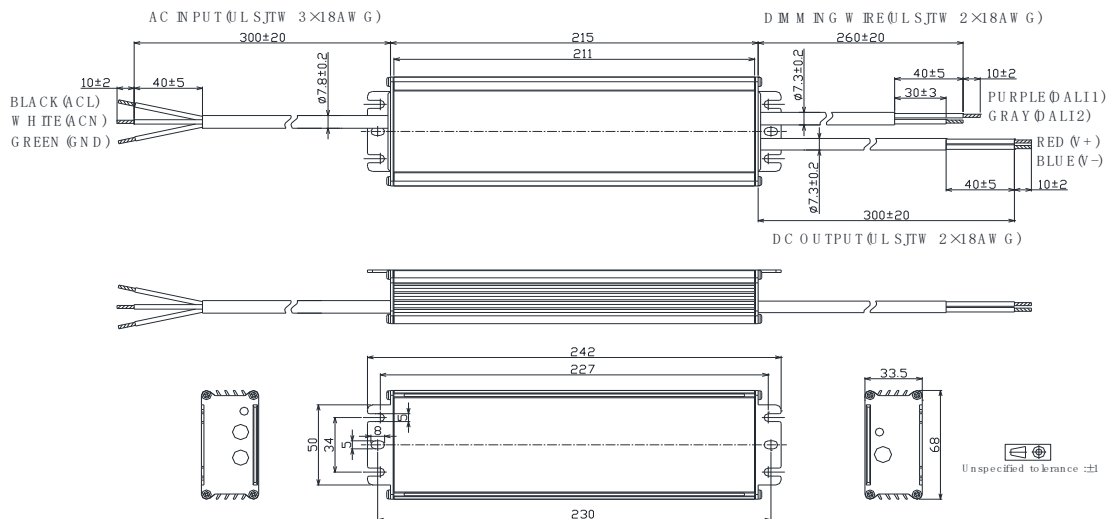
- **LWA200-Vxxx-DNK (UL Cable)**



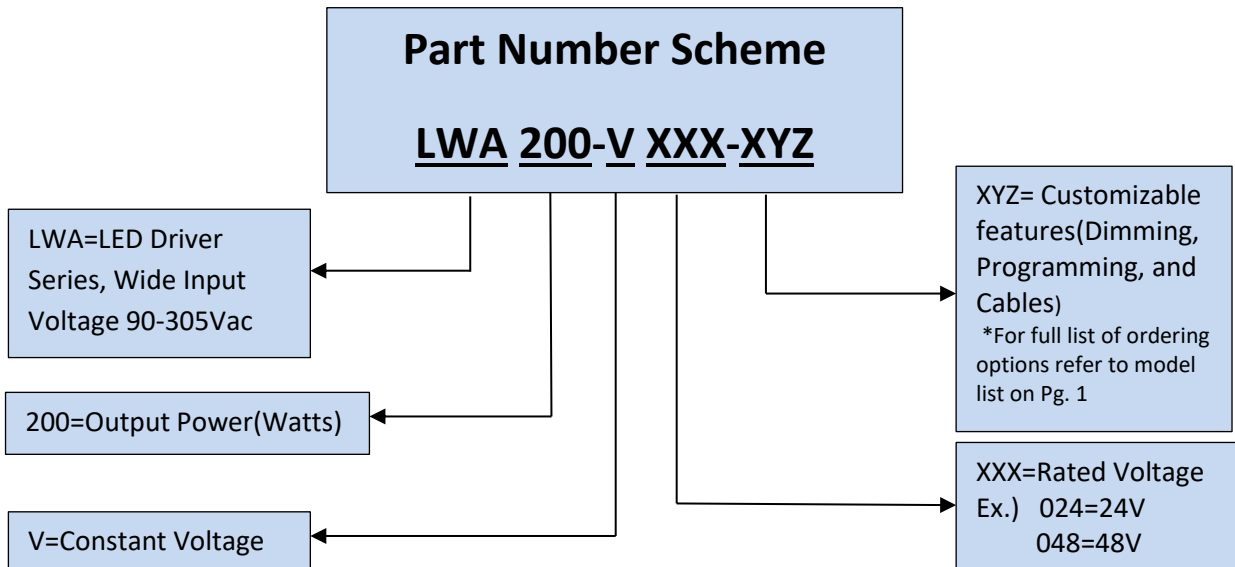
- LWA200-Vxxx-ENK (UL Cable)



- LWA200-Vxxx-ANK (UL Cable)



***Contact Autec Sales for non UL Mechanical Diagrams**



***Product images are for illustrative purposes only and may vary from actual design.**

***Specifications are subject to change without notice. Autec is not responsible for issues arising from errors or omissions.**