

■ **Features**

- Power rating: 150W
- Input Voltage: 90-305Vac
- Constant Current Design
- Output Current (2000mA-4700mA)
- Selectable output switch
- Efficiency up to 93%
- Optional dimming function: 0-10V PWM, Resistor, Timing/Dim-to-off
- Safeties; UL/CCC/TUV/BIS/SAA/CE
- Protections: SCP, OTP, OVP
- IP67
- 5-year warranty
- Surge Protection: L/N-PE: 6KV, L-N 4KV



*Product images are for illustrative purposes only and may vary from actual design.

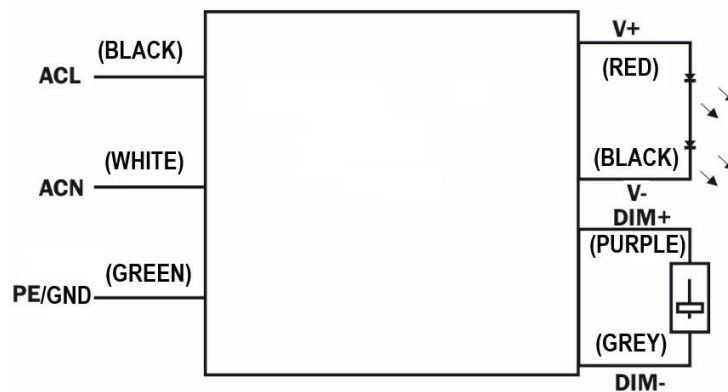
■ **Application**

- High bay lights

■ **Model List**

Model Number	Input Voltage Range	Output Power	Output Voltage	Output Current Min.	Output Current Max.	Efficiency	Certification
L3WCP150S470ST	90 ~ 305Vac	150 W	24-42V	2800mA	4700mA	92%	UL/CCC/TUV BIS/SAA/CE
L3WCP150S360ST	90 ~ 305Vac	150W	32-58V	2000mA	3600mA	93%	UL/CCC/TUV BIS/SAA/CE

■ **Wiring Diagram / Dimming**

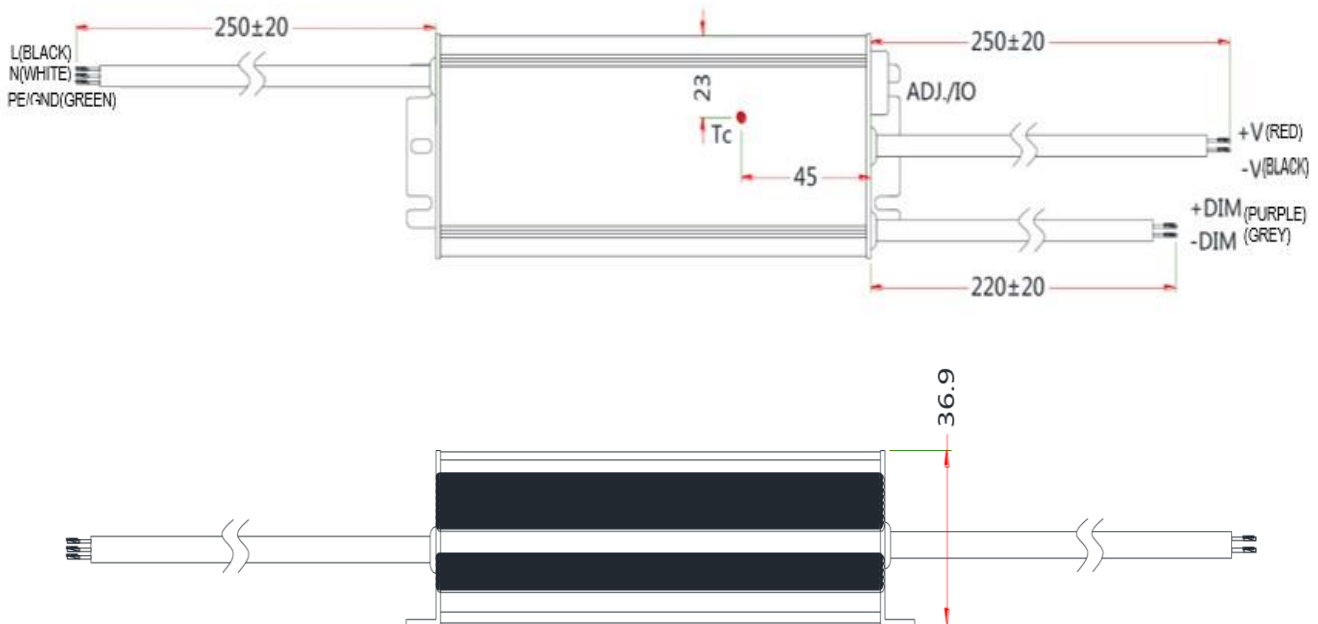


Technical Sales / Customer Service: +1-818-338-7788 • Email: sales@autec.com
31328 Via Colinas Suite 102 • Westlake Village, CA 91362 USA • www.autec.com

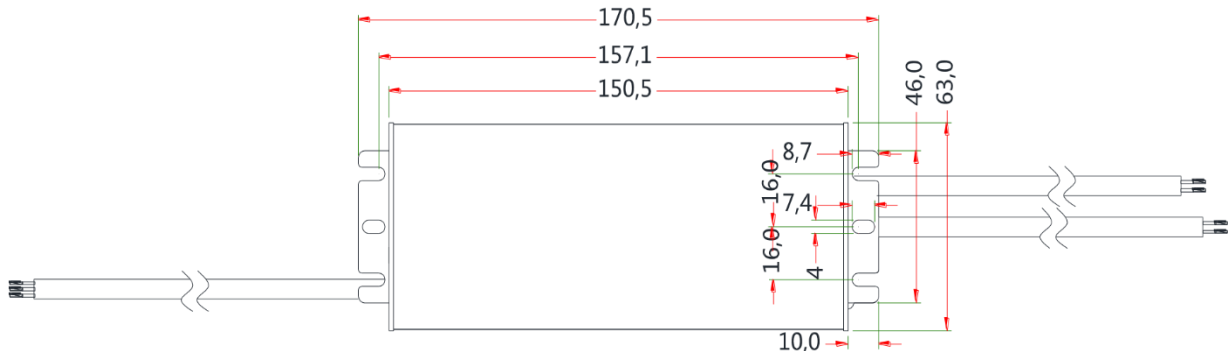
Input Characteristics

Parameter	Min	Typ.	Max	Remarks
Rated AC input range	100Vac		277Vac	
AC input range	90Vac		305Vac	
Input frequency range	47Hz		63Hz	
Max input current			1.0A	90Vac, full load
Inrush current			60A	230Vac/50Hz, cold start
No load power		0.5W	1W	277Vac/50Hz, No load
AC input OVP	320Vac	330Vac	340Vac	
Power factor	0.93	0.95		230Vac/50Hz, full load
	0.9			100-277Vac/50Hz, 70-100% Load
THD		8%	10%	230Vac/50Hz, full load
			20%	100-277Vac/50Hz, 70-100% Load

Mechanical Diagram



■ Mechanical Design(cont.)



Input Wire: UL STW #18AWG, 3 X 0.824MM², O.D. 9MM, GREEN: PE/GND, BLACK: L, WHITE: N
 Output Wire: UL SJTW #14AWG 2X2.08MM², O.D. 9MM, RED: V+, BLACK: V-
 Dim Wire: STYLE 2733, #22AWG O.D. 5.0MM, PURPLE: DIM+, GREY: DIM-

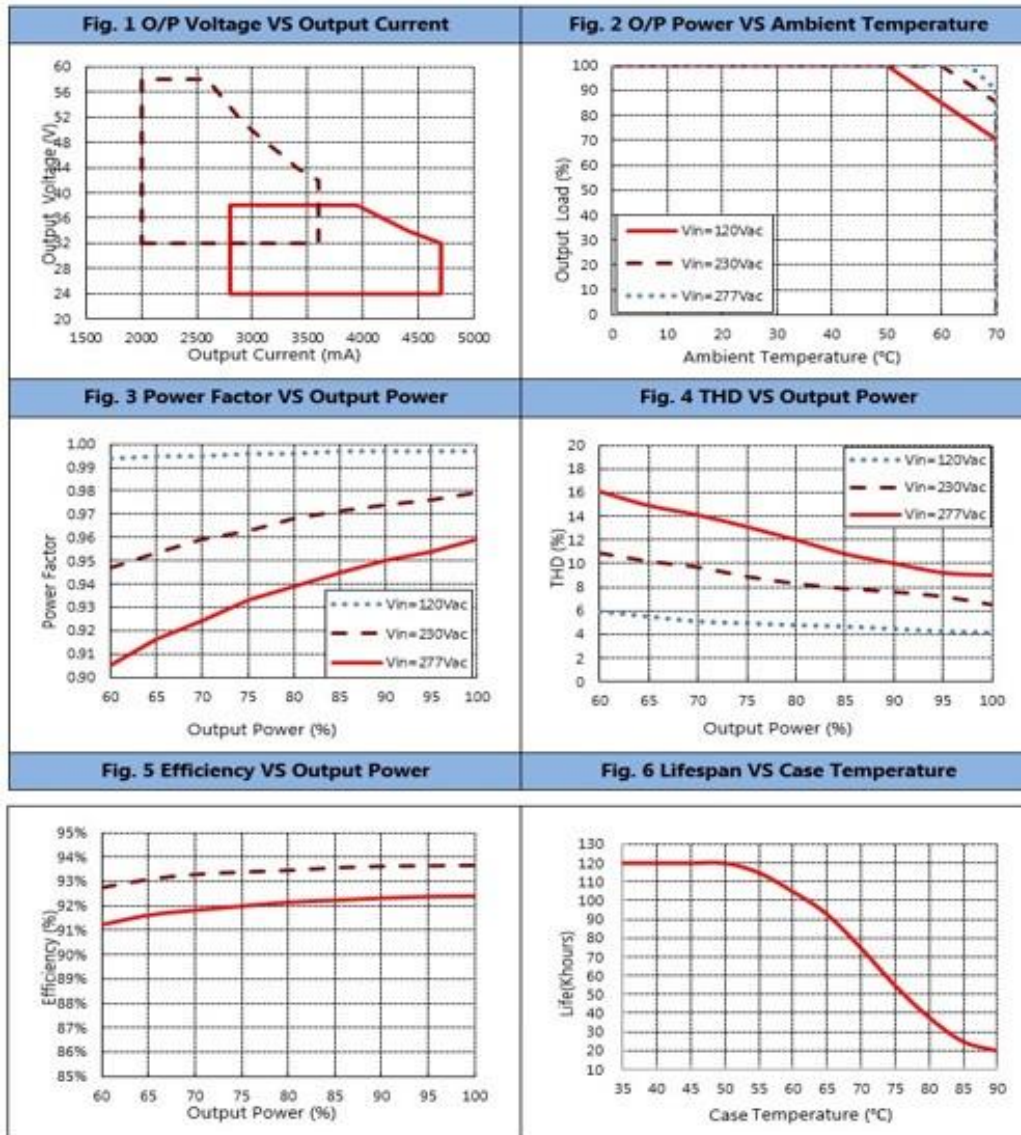
■ Safety Compliance

Certification	Standard	Status	Remark
UL/cUL	UL8750	√	
TUV	EN 61347-2-13:2014 EN61347-1:2008+A1:2011+A2:2013 EN62493:2015		Pending
SAA	AS/NZS61347.2.13		Pending
BIS	IS15885:2012 Part 2 Sec 13		Pending
CCC	GB 19510.14-2009		Pending
CE	EN 61347-2-13:2014 EN61347-1:2008+A1:2011+A2:2013	√	
Item	Standard	Remark	
Insulation Strength	Input-output	3200Vac/5mA Max/60s	Reinforced insulation
	Primary-Earth	1600Vac/5mA Max/60s	Basic insulation
	Sec.- Earth	1000Vac/5mA Max/60s	Function insulation
Insulation Resistance	Input-output	≥10 MΩ	Testing Voltage: 500Vdc
Ground Resistor	≤0.1Ω	25A/1min	
Leakage Current	≤0.75mA	277Vac	

■ Safety Compliance(cont.)

Item	Criterion	Remark
Conduction Emission	EN55015:2013+A1:2015	
Radiation Emission	EN55015:2013+A1:2015	
Harmonic Current Emissions	IEC/EN 61000-3-2	Class C
Surge	IEC/EN61000-4-5	Difference mode 4KV, Common mode 6KV Criterion B

■ Performance Curve



Technical Sales / Customer Service: +1-818-338-7788 • Email: sales@autec.com
 31328 Via Colinas Suite 102 • Westlake Village, CA 91362 USA • www.autec.com

Parameter		Min	Typ.	Max	Remarks
0-10V Dimming (optional)	Dim Vmax	-20V		14V	3 in 1 Dimming; 1-5V Dimming optional; Negative Logic Dim Optional
	Dim Range	10% Io max		100% Io set	
	Voltage	1V		10V	
	OFF	0.3V	0.5V	0.7V	Dim-off value
	On	0.5V	0.7V	0.9V	
PWM Dimming (Optional)	High	5V		10V	
	Low	-0.3V		-0.6V	
	Frequency	200Hz		2KHz	
	PWM Duty	1%		99%	
Resistor Dimming (optional)	Resistance	10K Ohm		100K Ohm	
	Dimming	10% Io max		100% Io Set	
Timing Curve (optional)	IC Control	By Programming			Typically, 3-4 sections
	Timing	5H/6H/7H/8H per section			DefaultMode:24 Hour/Circle with 50% load
Protection	OTP	90°C	100 °C	110 °C	Tc, Self-recovery
	Short Circuit Protection	Driver will not damage with CC Limit			Remove abnormal, Self- recovery
Life Time		55,000hrs			347Vac full load, Tc 75°C
MTBF		200,000hrs			347Vac full load, Ta=25°C, (MIL-HDBK-217F)
Temperature Coefficient		-0.03%/°C		+0.03%/°C	0°C~85°C
Tc		85°C			
Warranty		5 years			Tc75°C
Net Weight		1.5kg			
Dimension		150.5x63x36.9mm			LxWxH

■ Dimming

0-10V Dimming (Typ.)

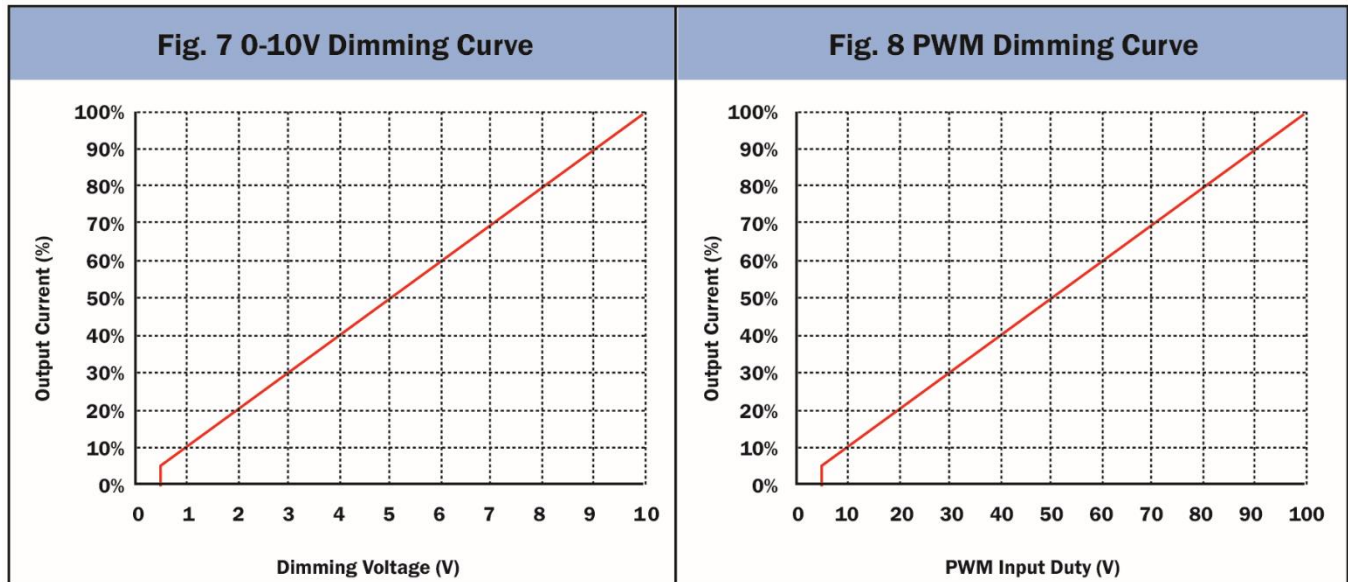
Voltage Range	1V	2V	3V	4V	5V	6V	7V	8V	9V	10V	Open
Rated Current Percentage	10%	20%	30%	40%	50%	60%	70%	80%	90%	100%	95-108%

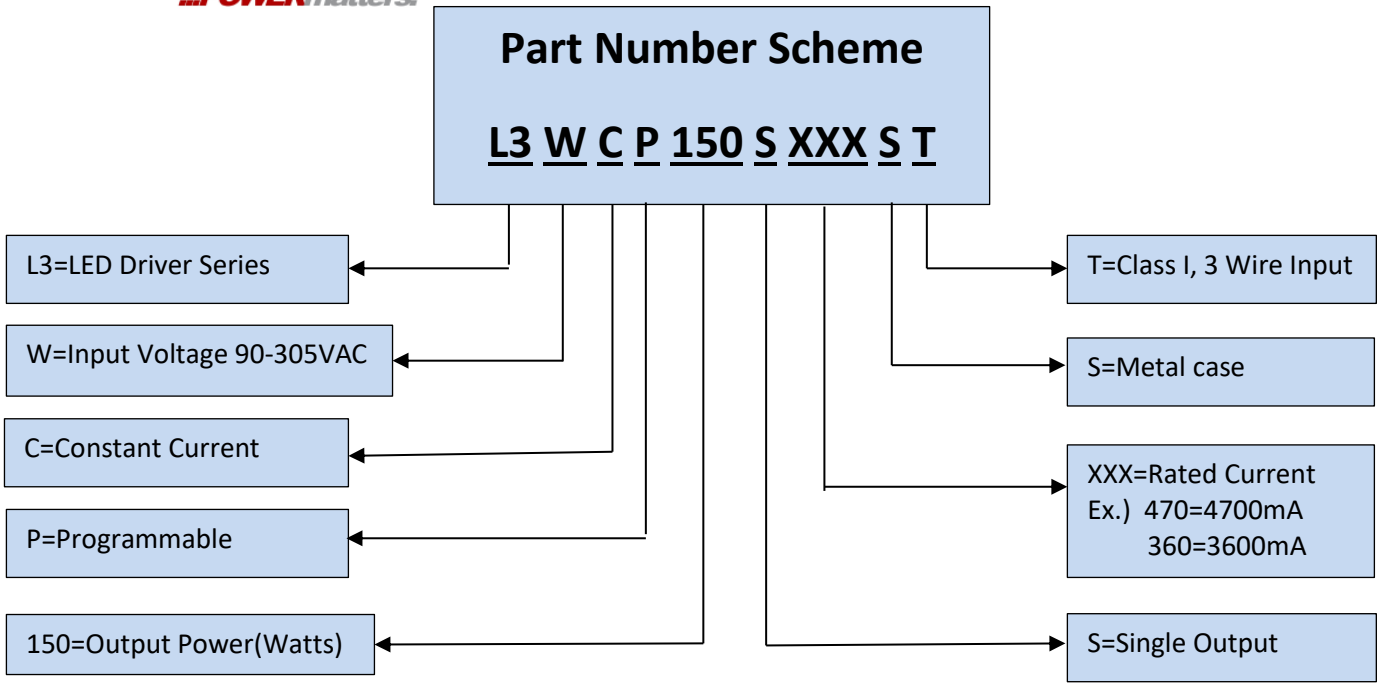
PWM Duty	10%	20%	30%	40%	50%	60%	70%	80%	90%	100%	Open
Rated current percentage	10%	20%	30%	40%	50%	60%	70%	80%	90%	100%	95-108%

Resistor(Typ.)

Resistor	10KΩ	20KΩ	30KΩ	40KΩ	50KΩ	60KΩ	70KΩ	80KΩ	90KΩ	100KΩ	Open
Rated Current Percentage	10%	20%	30%	40%	50%	60%	70%	80%	90%	100%	95-108%

■ Dimming Curve





***Product images are for illustrative purposes only and may vary from actual design.**

***Specifications are subject to change without notice. Autec is not responsible for issues arising from errors or omissions.**