

■ Features

- Power Rating: 27-40W programmable output range
- Input Voltage: 90-305Vac
- Constant current design
- Output current (240mA-1670mA)
- Output current programmable with Near Field Communication controller
- Efficiency up to 89%
- Compatible with 0-10V, PWM, Timer, Dim-to-off option. Dimming 5-100%, 12V/20mA AUX
- UL Class 2 Output
- Lightning, OVP, SCP, OTP, & Over Current Protection
- IP67
- 5-year warranty
- Surge Protection: Diff: 4kV, Common: 6kV



*Near Field Communication controller

RoHS Compliant



*Product images are for illustrative purposes only and may vary from actual design.

■ Application

■ Model List*(See part number scheme for model number details)

Model Number	Input Voltage Range	Output Power	Output Voltage	Output Current Min.	Output Current Max.	Efficiency	Certification
L2WCP040S167PS	90-305Vac	40W	24-40V	670mA	1670mA	87%	UL/cUL
L2WCP040S100PS	90-305Vac	40W	40-68V	400mA	1000mA	87%	UL/cUL
L2WCP040S059PS	90-305Vac	40W	68-114V	240mA	590mA	89%	UL/cUL

■ Technical Data

Input voltage range	90-305Vac
Frequency	47-63Hz
Power factor	> 0.99 @115Vac & 80~100% Full load, > 0.95 @230Vac & 80~100% Full load
Output voltage	24-114V
Output power	40W
Ripple and Noise	2.0%Vo
Max input current	0.3A
Max input Power	40W
Efficiency	87-89%
Line Regulation	± 5%
Load Regulation	± 3%
Inrush Current	65A @ 230Vac cold start +25°C

Technical Sales / Customer Service: +1-818-338-7788 • Email: sales@autec.com
 31328 Via Colinas Suite 102 • Westlake Village, CA 91362 USA • www.autec.com

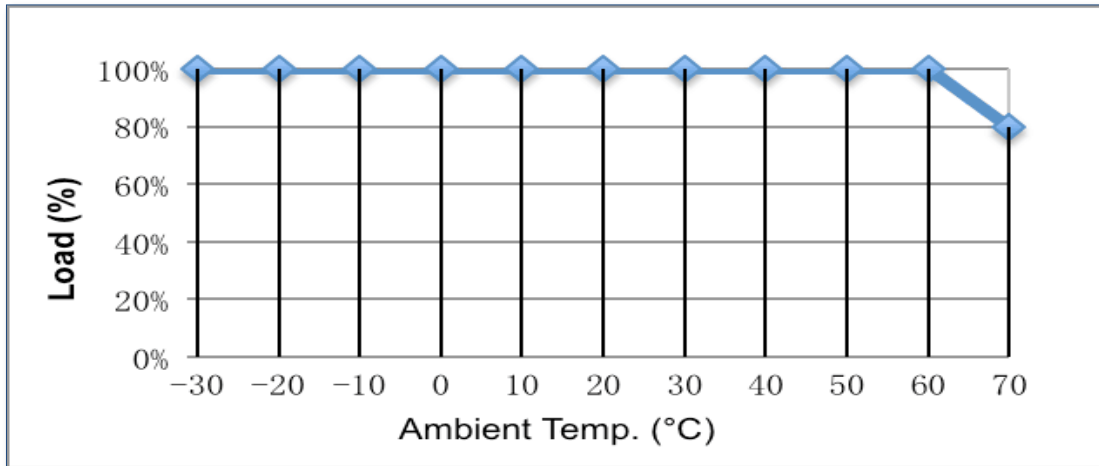
■ **Technical Data(cont.)**

Dimming	0~10V/ PWM/ Timer, Dim-to-off option
Dimming Range	5~100%
THD	< 20% @120/277Vac & 80~100% load condition
Current Programmable	Yes
Output Current Programmable Range	240-1670mA
Over Current Protection	Protection type: Constant current limiting, recovers automatically after fault condition is removed
Short Current Protection	Hiccup mode, recovers automatically after fault condition is removed
Over Voltage Protection	1.3Vo, Protection type: Hiccup mode, recovers automatically after fault condition is removed
Over Temp. Protection	Hiccup mode, recovers automatically after fault condition is removed
Working Temperature	-35~+70°C
Max T-case Temp.	89°C
Working Humidity	10 ~ 100% RH non-condensing
Storage Temp., Humidity	-40 ~ +85°C, 5 ~ 100% RH
Temp. Coefficient	±0.05%/°C (0~50°C)
Vibration	10 ~ 500Hz, 5G 12min./1cycle, period for 72min. each along X, Y, Z axes
Dimensions	95x75x32 mm 3.74x2.95x1.26 in
Packing	25pcs/carton
Weight	292.0g

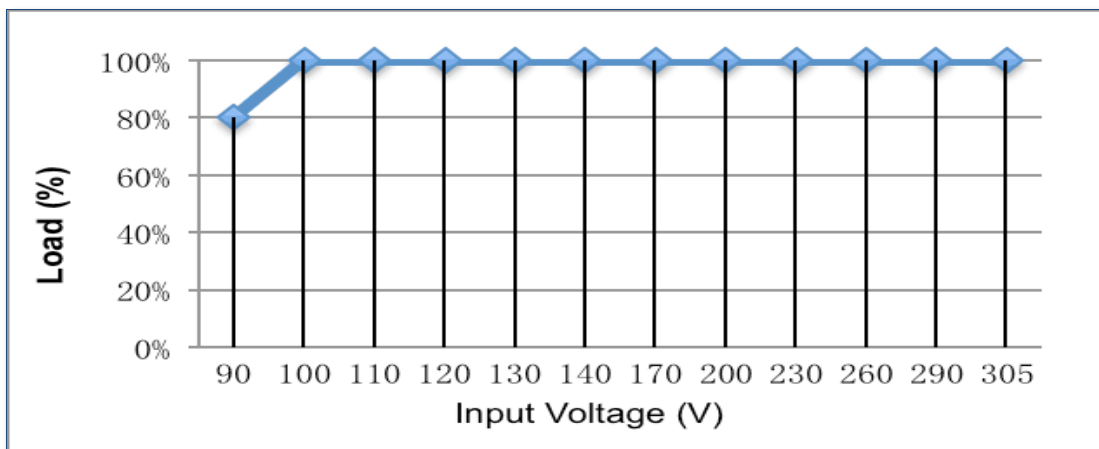
■ **Safety Compliance**

Safety Standards	UL8750, UL935, UL1012, CSA-C22.2 No.107.1, EN61347-1, EN61347-2-13
Withstand Voltage	I/P – O/P: 3.75kVAC
Isolation Resistance	I/P – O/P: 100M Ohms / 500VDC /25°C / 70% RH
EMC Emission	Compliance to EN55015, EN61000-3-2 Class C (≥60% load); EN61000-3-3
EMC Immunity	Compliance to EN61000-4-2,3,4,5,6,8,11; EN61547, EN55024

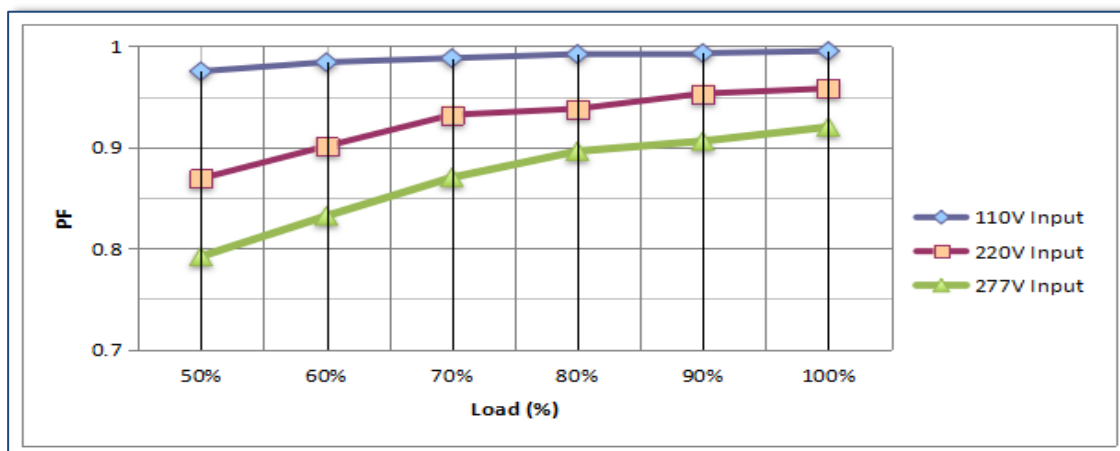
■ Derating curve



■ Static Characteristics

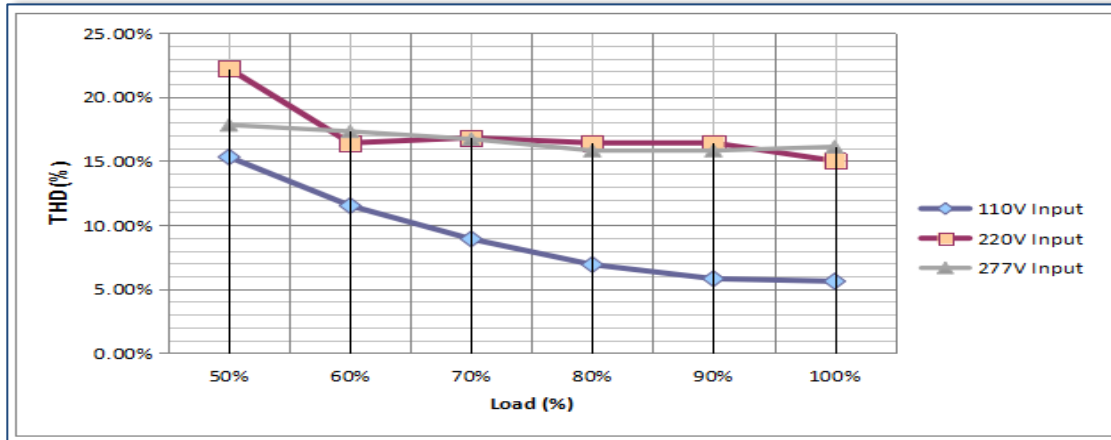


■ Power Factor vs. Output

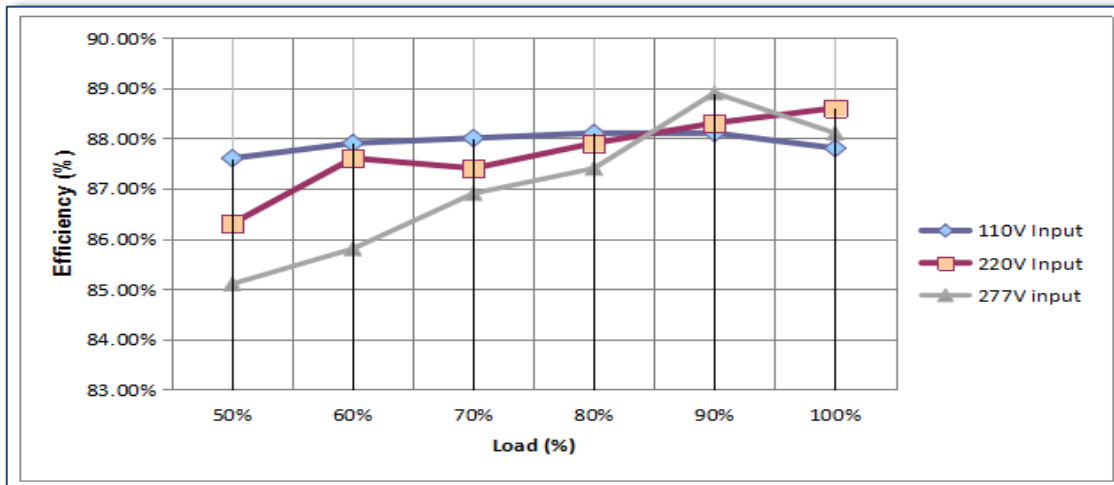


Technical Sales / Customer Service: +1-818-338-7788 • Email: sales@autec.com
 31328 Via Colinas Suite 102 • Westlake Village, CA 91362 USA • www.autec.com

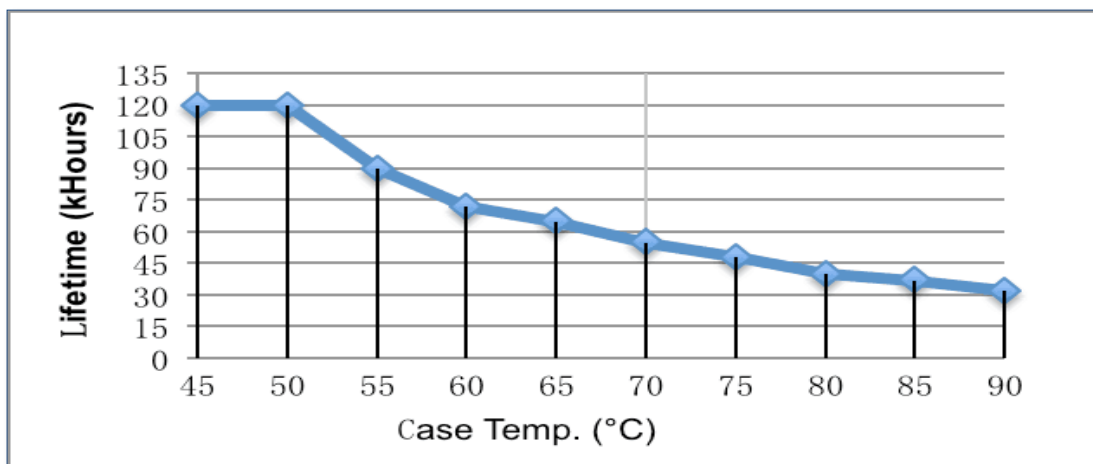
■ THD vs. Output



■ Efficiency vs Output



■ Lifetime vs Case Temp.



■ **Near Field Communication Controller**

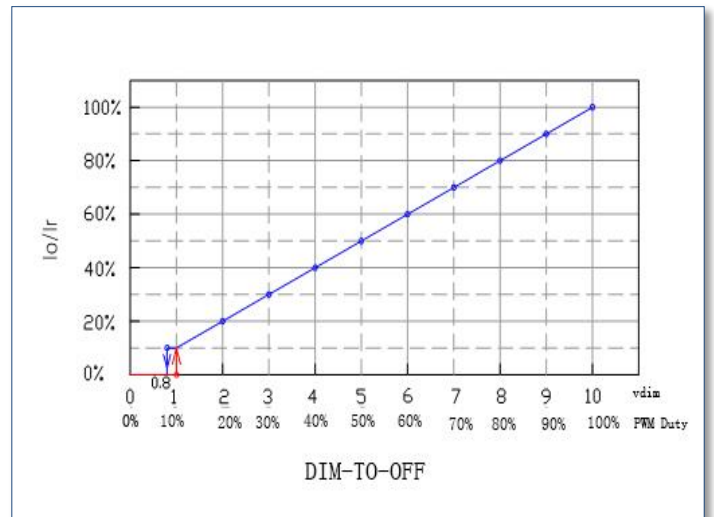
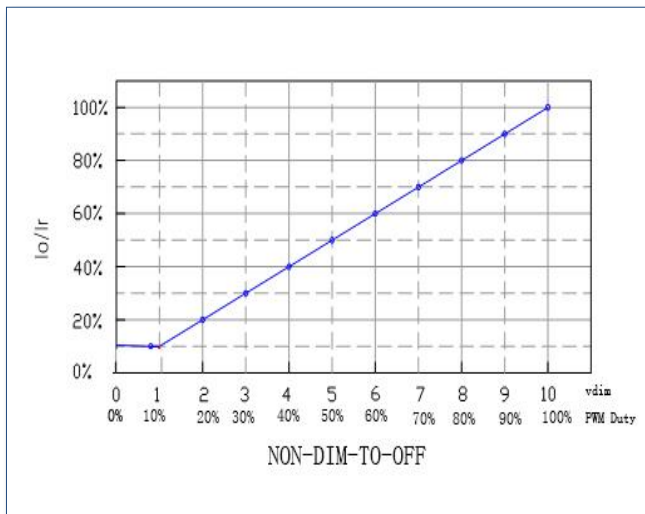


NOTE:

1. The Near Field Communication controller can program the output current, voltage and timer delays.
2. The Near Field Communication programming is a non-contact process, therefore much safer compared to traditional programming methods.
3. Power devices can be programmed without AC power applied to the driver.

■ **Dimming**

0-10V Analog Dimming & PWM Dimming



Dim-	Grey
Dimming wire 0-10V&PWM	Purple
12V AUX	Yellow
Input Dimming Voltage	0-10V
DIM+ Source Current	0-1mA
12V AUX Source Current	20mA
PWM Frequency Range	1-10KHZ
PWM high level	10V

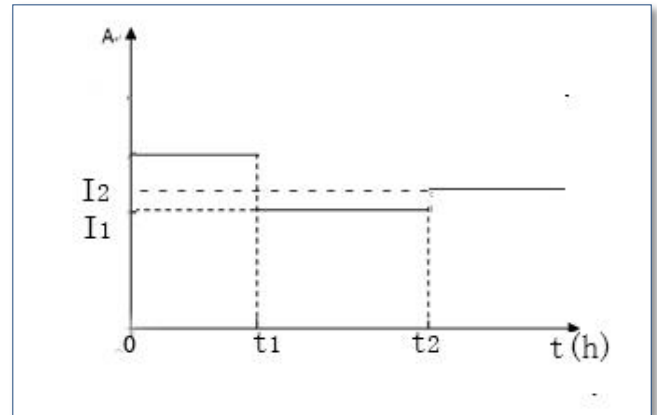
NOTE:

1. I_o is actual output current and I_r is rated current without dimming control.
2. For the driver to operate properly, the load voltage must be in the working voltage range.
3. We have DIM-TO-OFF option, which can be programmed by the programmer.
4. Maximum input voltage for the dimming wire is 12V.
5. AUX wire is only for source, can't connect to other voltage source.

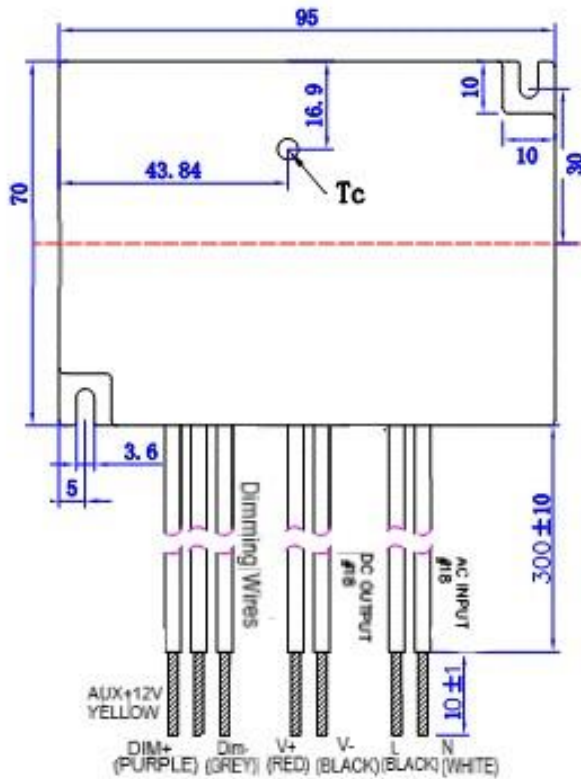
TIMER Dimming

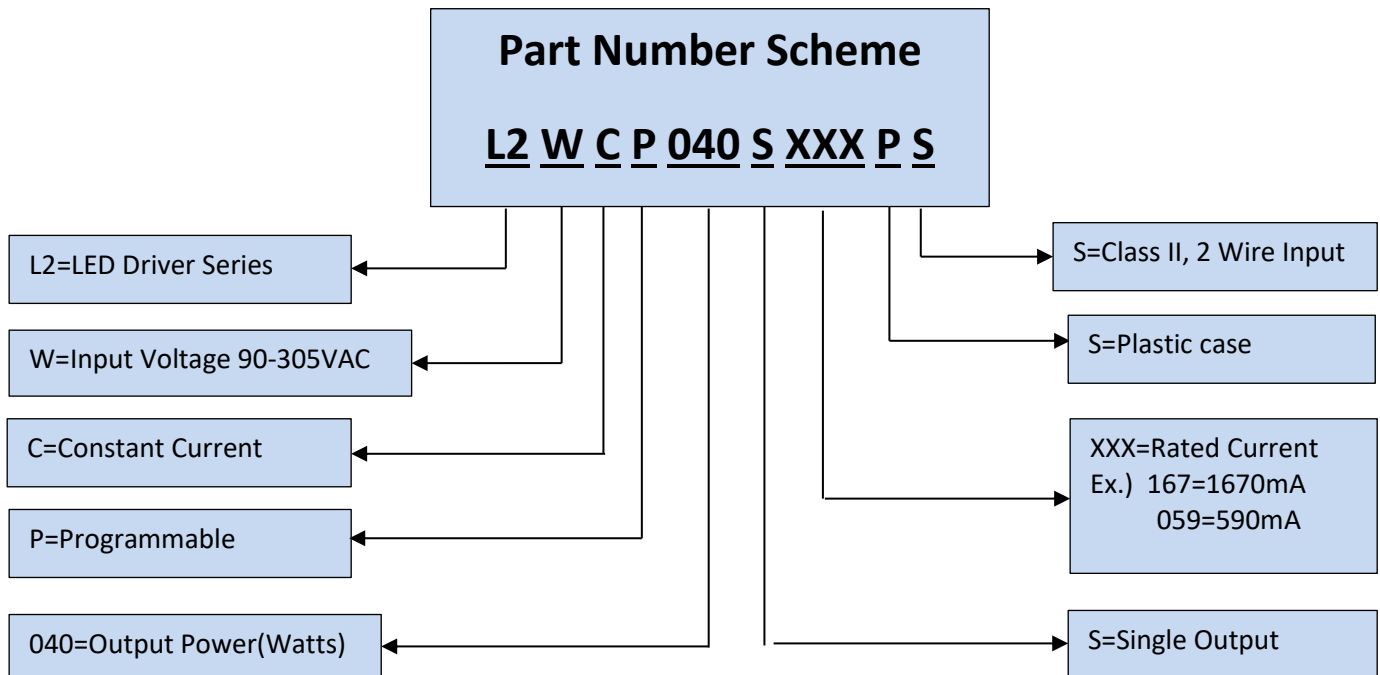
NOTE:

1. The dimming time can be programmed by the programmer.
2. The time of t1 and t2 can be set by the programmer.(0.5h step)
3. The value of I1 and I2 can be set by the programmer.
4. Changing the current from I1 to I2 may take a few min.



■ **Mechanical Design**





*Product images are for illustrative purposes only and may vary from actual design.

*Specifications are subject to change without notice. Autec is not responsible for issues arising from errors or omissions.