

■ Features

- Power Rating: 18W
- Input Voltage: 120-277Vac \pm 10%
- Constant current design
- Charging time: 24 hours
- Max connected load: 0.105A
- Case type: Metal
- Battery: High temp, Ni-Cad, 7-10 year life expectancy
- Emergency operations >90min



*Product images are for illustrative purposes only and may vary from actual design.

■ Application

- LED lighting

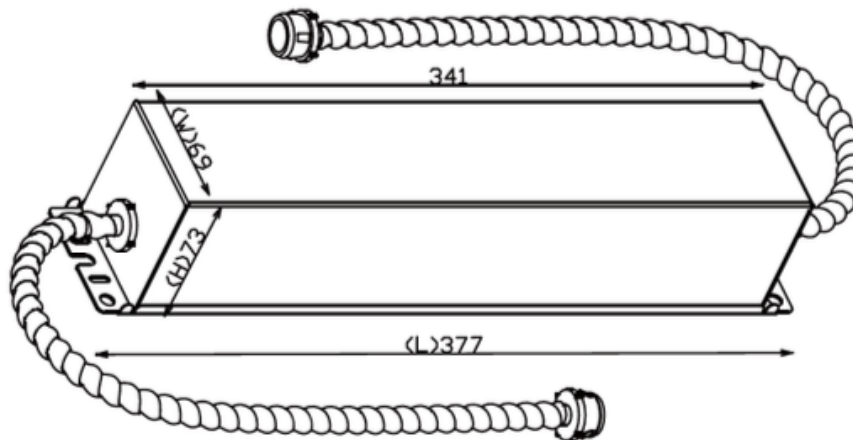
■ Description

- This Led Emergency Power supply from Autec Power Systems is UL component recognized that allows the same LED lighting fixture to be used for normal and emergency operation. In the event of a power failure, the LED emergency power supply switches to the emergency mode and operates the existing fixture for 90 min. The unit contains a battery, charger, and converter circuit in a single case. Modifications are available to accommodate individual fixture requirements. Contact Autec Sales for all available options.

■ Model List

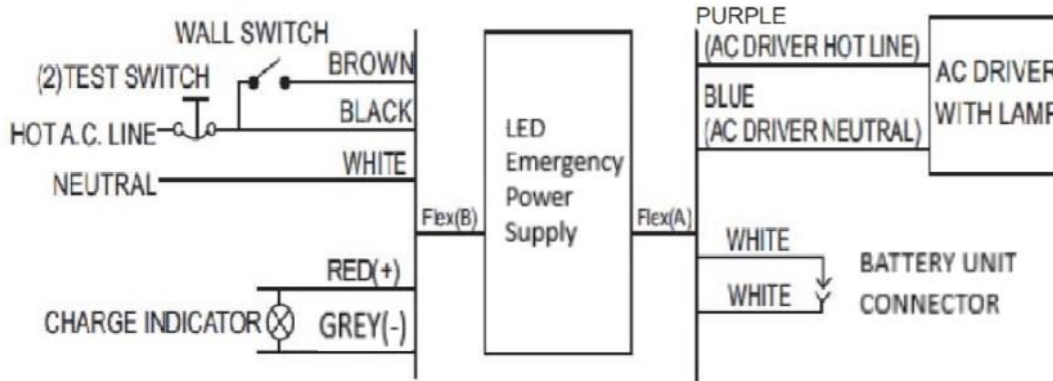
Model Number	Input Voltage Range	Output Power	Output Voltage	Max Output Current	Certification
ELEWC018-S170ST	120~277Vac \pm 10%	18W	170V	0.105A	UL/cUL

■ Wiring Diagram



■ **Wiring Diagram(Cont.)**

1. Do not mate battery unit connector until installation is complete and AC power is supplied.
2. Observe proper polarity wiring for test accessory leads.



■ **Technical Data**

Input voltage range	120~277Vac ± 10%
Frequency	50/60Hz
Maximum case Temperature	50°C
Length (L)	14.84" (377mm)
Width (W)	2.72" (69mm)
Height (H)	2.87" (73mm)

■ **Safety Compliance**

UL/cUL	UL 8750 pending
--------	-----------------

■ Operation Notes

- This is a sealed unit. Components are not serviceable, opening of case voids warranty. Replace entire unit when necessary.
- Installation should be performed by qualified personnel only.
- Do not use outdoors. This LED emergency power supply is designed for use in grounded, UL listed, and damp location rated indoor fixtures.
- Not intended for use in heated air outlets or hazardous locations.
- Do not mount near gas or electric heaters.
- The LED emergency power supply should be mounted in locations and heights safe from unauthorized access.
- Designed for use in 0°C to 50°C ambient temperatures.
- This LED emergency power supply is intended for emergency lighting applications only.

***Product images are for illustrative purposes only and may vary from actual design.**

***Specifications are subject to change without notice. Autec is not responsible for issues arising from errors or omissions.**