



Features:

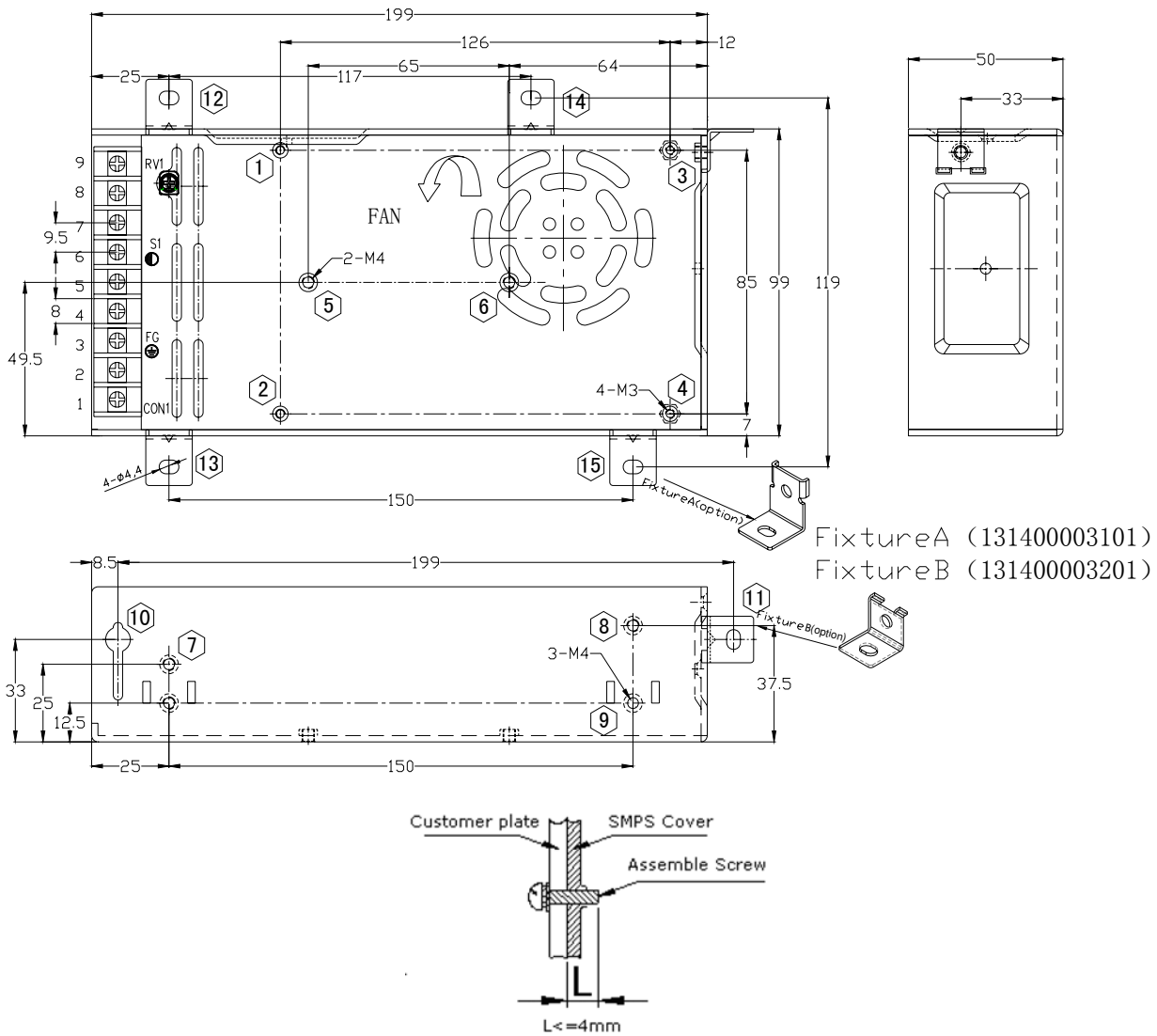
- Universal AC input
- Built-in active PFC, PF>0.95
- Withstand 300Vac surge input for 5 sec
- High efficiency, long life and high reliability
- Output protection: SCP/OLP/OPP
- Wide operating ambient temperature (-25~70°C)
- Operating altitude up to 5000m
- PCB both sides with conformal coating
- All using 105 °C long life electrolytic capacitor
- 100% full load burn-in test
- Built-in cooling fan speed control
- 3 years warranty

SPECIFICATION

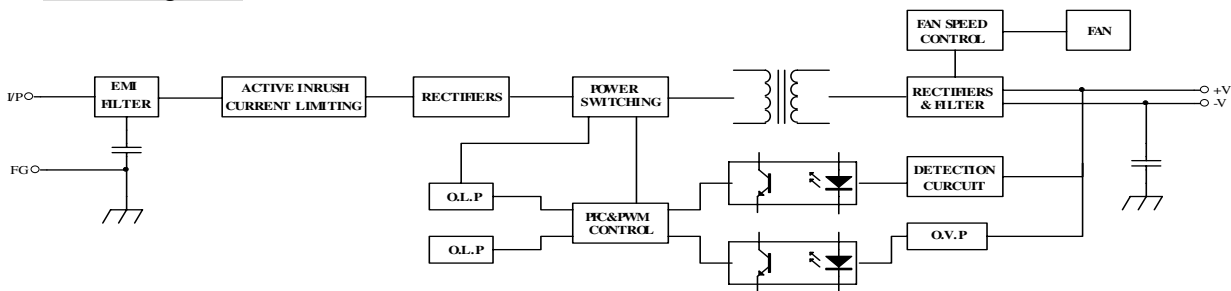
MODEL		SPL-200-1051	SPL-200-1121	SPL-200-1241	SPL-200-1361	SPL-200-1481	
OUTPUT	DC Output	5.0V	12V	24V	36V	48V	
	Rated Current	40A	16.7A	8.4A	5.6A	4.2A	
	Current Range Note 1	0~40A	0~16.7A	0~8.4A	0~5.6A	0~4.2A	
	Ripple and Noise Note 2	<150mV	<150mV	<200mV	<200mV	<200mV	
	Voltage ADJ. Range	-5%~+10% of rated output voltage					
	Voltage Accuracy	±1.0%					
	Line Regulation	±0.5%					
	Load Regulation	±1.0%					
	Set-up Time	≤2S (230Vac input, Full load)					
	Hold up Time	≥10mS (230Vac input, Full load)					
	Temperature Coefficient	±0.03%/°C					
	Overshoot and Undershoot	<5.0%					
INPUT	Voltage Range	85Vac~264Vac, 120Vdc~370Vdc					
	Frequency Range	47Hz~63Hz					
	Power Factor(Typical)	PF > 0.98/115VAC		PF > 0.95/230VAC			
	Efficiency (Typical)	79%	84%	86%	86.5%	87.5%	
	AC Current (max.)	< 3.5A					
	Inrush Current (Typical)	<50A@230Vac <30A@115Vac Cold start					
	Leakage Current	Input—output:<0.25mA		Input—PG:<1.0mA			
PROTECTION	Over Load	105%~150% of rated output current, Hiccup mode, auto recovery					
	Over power	105%~150% of rated output power, hiccup mode, auto recovery					
	Short Circuit	Long-term mode, auto recovery					
ENVIRONMENT	Operating amb. Temp. & Hum.	-25°C~70°C; 20%~90%RH No condensing(refer to the derating curve)					
	Vibration	10 ~ 150Hz, 2G 10min./1cycle, period for60min. each along X,Y, Z axes					
	Storage Temp. & Hum.	-40°C~85°C; 10%~95%RH No condensing					
SAFETY & EMC (Note 3)	Safety Standards	UL60950-1 2 nd Ed; IEC 60950-1:2005(2 nd Ed) ;EN60950-1:2006					
	Withstand Voltage	Primary-Secondary: 3.0KVac; ≤10mA .Primary-PG: 1.5KVac; ≤10mA. Secondary-PG: 0.5KVDC; ≤10mA.					
	Isolation Resistance	≥100M ohms					
	EMI Conduction&Radiation	Compliance to EN55022, Class B					
	Harmonic Current	Compliance to EN61000-3-2, Class D					
	EMS Immunity	Compliance to EN61000-4-2,3,4,5,6,8,11; heavy industry level					
OTHERS	MTBF (MIL-HDBK-217F)	More than 200,000Hrs (25°C, Full load)					
	Dimension (L*W*H)	199×99×50mm					
	Packing	12PCS/CTN, 11.4KGS, 0.04CBM					
	Cooling method	Cooling by forced air (built-in DC fan)					
NOTE	1. All parameters NOT specially mentioned are measured at rated input, rated load and 25°C of ambient temperature. 2. Measured at 20MHz of bandwidth by using a 12" twisted pair-wire terminated with a 0.1 uF & 47uF parallel capacitor. 3. The power supply is considered as a component which will be installed into a final equipment. The final equipment must be re-confirmed that it still meets EMC directives. For guidance on how to perform these EMC tests, please refer to "EMI testing of component power supplies" on http://www.AUTECH.com .						

Mechanical Specification

unit:mm Tolerance: ±1mm



Block Diagram



Derating Curve

