

LXWV-040SXXXPS	
	
Total power: 40W / Constant Power LED Driver	
Input voltage: 120-277 Vac ± 10%	
Number of outputs: One	
UL 8750	
IP66 design	
Dimmable with trailing edge dimmer	
5 year warranty	

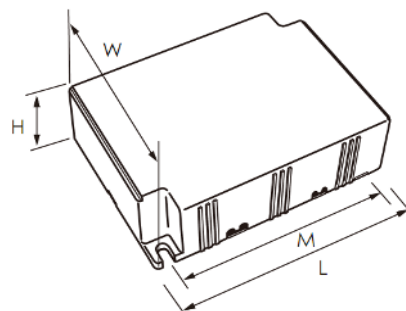
ELECTRICAL SPECIFICATIONS:		ENVIRONMENTAL SPECIFICATIONS:	
Input voltage range:	120 or 220Vac ± 10%	Operating temperature:	-30 to 60°C
Frequency:	50/60Hz	Storage temperature:	-40 to 85°C
Power factor:	>0.9 @full load, 120V through 240V	Humidity:	5% to 95%
Inrush current:	7A @230V	MTBF:	302,000 hours at 40°C ambient (~70°C Case temp)
Max input current:	0.44A @120V and 0.20A@240V	Maximum case Temperature	90°C
THD:	<20%		
Protection:	Over voltage, Over current and Short circuit		
Withstand voltage	I/P – O/P 2k Vac		

PRODUCT SPECIFICATIONS:							
Model Number	Max output power	Output Voltage	Output Current	Efficiency	Remote mounting distance (#18 AWG)	Class 2	
						US	Canada
LXWV-040S012PS	40W	12V	0-3,300mA	87%	109 ft		
LXWV-040S024PS	40W	24V	0-1,666mA	87%	76 ft		
XXXXXXXXXXXXXXXXXX							
XXXXXXXXXXXXXXXXXX							

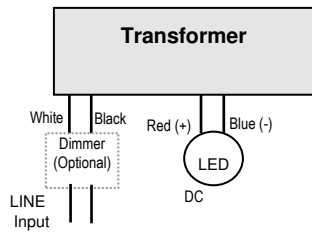
SAFETY AND EMC COMPLIANCE:	
UL/cUL	UL 8750
FCC, 47CFR Part 15	Class B Consumer Limit
EN61000-3-2	

PHYSICAL DIMENSIONS:	
Length (L):	3.76"
Width (W):	2.81"
Height (H):	1.26"
Mounting (M):	3.34"
Weight:	0.36 kg

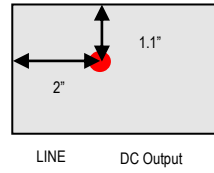
WIRE SPECIFICATIONS:	
Input:	12", UL 1316 #18AWG (White and Black)
Output:	12", UL 1569 #18AWG (With Non-Class 2 output) 12", UL1430 #22AWG (With Class 2 output) (Red and Blue)



WIRING DIAGRAM:



HOTTEST SPOT LOCATIONS:



LIFETIME / CASE TEMP:

