



LXWCD040SXXXSS-20

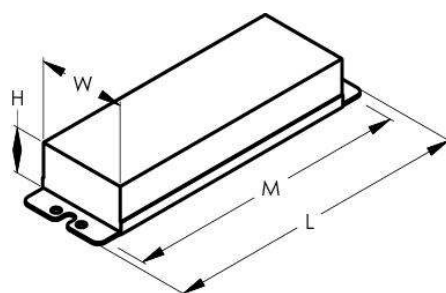
Constant current LED driver
Total power: 40W
Input voltage: 120~277Vac ± 10%
Number of outputs: One
UL 8750
IP20 design for dry and damp location
Dimmable with 0-10V dimmer
5 year warranty

ELECTRICAL SPECIFICATIONS:		ENVIRONMENTAL SPECIFICATIONS:	
Input voltage range:	120~277Vac ± 10%	Operating temperature:	-30 to 60°C
Frequency:	50/60Hz	Storage temperature:	-40 to 85°C
Power factor:	>0.9 @full load, 120V through 277V	Humidity:	5% to 95%
Inrush current:	20A @230V	MTBF:	384,000 hours at 40°C ambient (~70°C Case temp)
Max input current:	0.41A @120V and 0.19A @ 277V	Maximum case Temperature	90°C
THD:	<20%		
Protection:	Over voltage, Over current and Short circuit		
Withstand voltage	I/P – O/P 2k Vac		

PRODUCT SPECIFICATIONS:							
Model Number	Max output power	Output Current	Output Voltage	Efficiency	Remote mounting distance (#18 AWG)	Class 2	
						US	Canada
LXWCD040S100SS-20	40W	1000mA	20 - 40V	82%	38 ft	√	√
LXWCD040S110SS-20	40W	1100mA	18 - 36V	82%	34 ft	√	√

SAFETY AND EMC COMPLIANCE:	
UL/cUL	UL 8750
FCC, 47CFR Part 15	Class B Consumer Limit
EN61000-3-2	

PHYSICAL DIMENSIONS:	
Length (L):	6.46"
Width (W):	1.89"
Height (H):	1.15"
Mounting (M):	6.00"
Weight:	0.36 kg
WIRE SPECIFICATIONS:	

Input:	12", UL 1316 #18AWG (Black and White)	
Output:	12", UL 1316 #18AWG (Red and Blue)	
Dimming:	12", UL 1316 #22AWG (Purple and Grey)	

WIRING DIAGRAM:	HOTTEST SPOT LOCATIONS:
