



LXWCD036SXXXSS-20 SERIES

Constant current LED driver
Total power: 36W
Input voltage: 120~277Vac ± 10%
Number of outputs: One
UL 8750
IP20 design for dry and damp location
Dimmable with 0-10V dimmer
5 year warranty

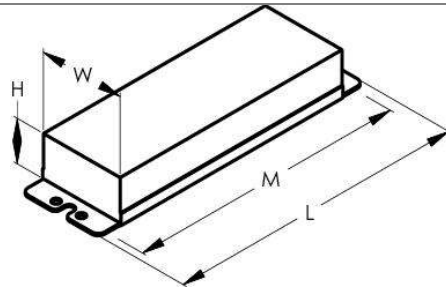
ELECTRICAL SPECIFICATIONS:		ENVIRONMENTAL SPECIFICATIONS:	
Input voltage range:	120~277Vac ± 10%	Operating temperature:	-30 to 60°C
Frequency:	50/60Hz	Storage temperature:	-40 to 85°C
Power factor:	>0.9 @full load, 120V through 277V	Humidity:	5% to 95%
Inrush current:	20A @230V	MTBF:	384,000 hours at 40°C ambient (~70°C Case temp)
Max input current:	0.41A @120V and 0.19A @ 277V	Maximum case Temperature	90°C
THD:	<20%		
Protection:	Over voltage, Over current and Short circuit		
Withstand voltage	I/P – O/P 2k Vac		

PRODUCT SPECIFICATIONS:							
Model Number	Max output power	Output Current	Output Voltage	Efficiency	Remote mounting distance (#18 AWG)	Class 2	
						US	Canada
LXWCD036S060SS-20	36W	600mA	30 - 60V	81%	64 ft		
LXWCD036S090SS-20	32.4W	900mA	18 - 36V	81%	42 ft	√	√
LXWCD036S120SS-20	36W	1200mA	15 - 30V	82%	32 ft	√	√
LXWCD036S150SS-20	36W	1500mA	12 - 24V	80%	25 ft	√	√

UL Pending

SAFETY AND EMC COMPLIANCE:	
UL/cUL	UL 8750
FCC, 47CFR Part 15	Class B Consumer Limit
EN61000-3-2	

PHYSICAL DIMENSIONS:	
Length (L):	6.46"
Width (W):	1.89"
Height (H):	1.15"
Mounting (M):	6.00"
Weight:	0.36 kg
WIRE SPECIFICATIONS:	
Input:	12", UL 1316 #18AWG (Black and White)

Output:	12", UL 1569 #18AWG (with Non-Class 2 output) 12", UL 1316/1430 #22AWG (with Class 2 output) (Red and Blue)	
Dimming:	12" UL 1316/1430 #22AWG (Purple and Grey)	

WIRING DIAGRAM:	HOTTEST SPOT LOCATIONS:
