



FEATURES

30W LED Driver

LXWC-030 Series

- Constant current LED driver
- Total power: 30W
- Input voltage: 120~277Vac \pm 10%
- Number of outputs: One
- UL 8750
- IP20 design for dry and damp location
- 5 year warranty



SPECIFICATIONS

Model #	Output Current (mA)	Voltage Range	Max. Output Power	OCV	Remote Mounting	Efficiency (Typ.) (240V)
LXWC-030S035SS-20	350	28-85V	30W	90V	109ft	86%
LXWC-030S040SS-20	400	25-75V	30W	80V	96ft	86%
LXWC-030S045SS-20	450	22-67V	30W	71V	85ft	86%
LXWC-030S050SS-20	500	20-60V	30W	65V	76ft	85%
LXWC-030S060SS-20	600	17-50V	30W	54V	64ft	85%
LXWC-030S070SS-20	700	14-43V	30W	47V	54ft	85%
LXWC-030S080SS-20	800	13-38V	30W	41V	48ft	85%
LXWC-030S090SS-20	900	11-33V	30W	36V	42ft	85%
LXWC-030S100SS-20	1000	10-30V	30W	33V	38ft	84%
LXWC-030S110SS-20	1100	9-27V	30W	30V	34ft	84%
LXWC-030S120SS-20	1200	8-25V	30W	28V	32ft	84%
LXWC-030S130SS-20	1300	8-23V	30W	26V	29ft	84%
LXWC-030S140SS-20	1400	7-21V	30W	24V	27ft	84%
LXWC-030S150SS-20	1500	7-20V	30W	23V	25ft	84%
LXWC-030S160SS-20	1600	6-19V	30W	22V	24ft	84%
LXWC-030S170SS-20	1700	6-18V	30W	21V	22ft	84%
LXWC-030S180SS-20	1800	6-17V	30W	20V	21ft	84%



Output	Load Regulation	±2%
	Line Regulation	±1%
	Voltage Tolerance	±5%
	Turn-on Delay Time	<0.75s at Full Load Condition
	Ripple & Noise (pk-pk)	<10%

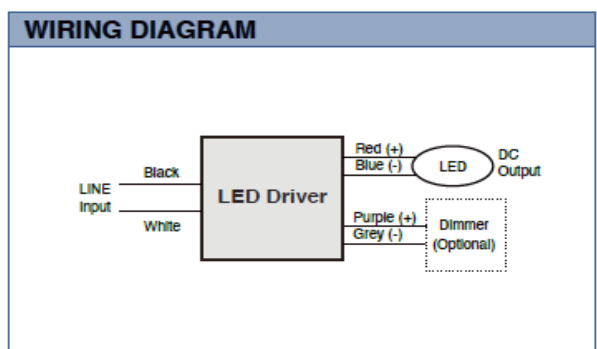
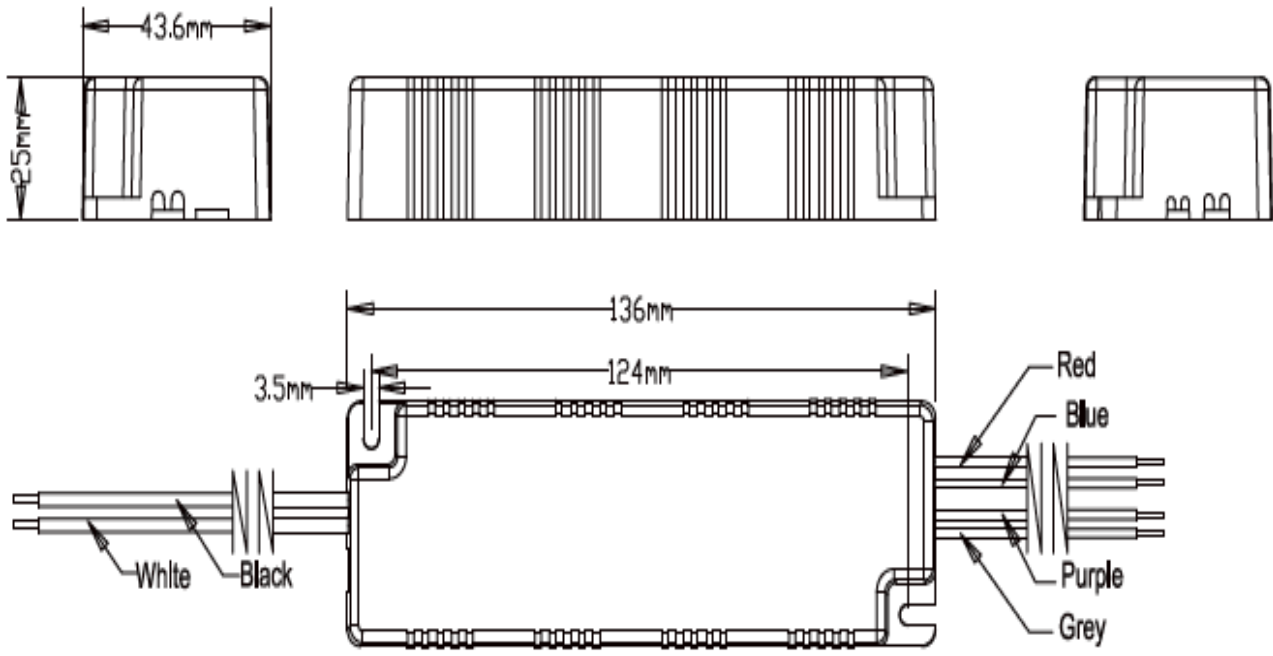
Input	Input voltage	120~277Vac ± 10%
	Frequency Range	50/60Hz
	AC Current (Typ.)	0.33A @ 120V, 0.19 @ 240V and 0.16A @ 277V
	THD	<20% with 120~277 VAC and 80-100% Load Condition
	Power Factor	>0.9 @ 80~100 load, 120~277VAC for all models

Protections	Short Circuit	Hic-Up mode, Auto recover when fault condition is removed
	Over Load	Hic-Up mode, Auto recover when fault condition is removed
	Over Voltage	Hic-Up mode, Auto recover when fault condition is removed

Environmental	Temperature Range	Operational	-30 to 60°C
		Storage	-40 to 85°C
	Case Temperature		90°C
	Humidity	Operational	5% to 95%
Safety & EMC	Withstand Voltage	Input to Output 4000Vdc, 2mA	
	Safety Standards	UL 8750, CUL	
	EMI Conduction & Radiation	FCC, 47CFR Part 15 ANSI C63.4:2009 - Class B Consumer Limit	
	EMC Immunity	EN61347-1, EN61347-2-13, EN61000-3-2 Harmonic Current Emissions Class C	
Others	MTBF	TBD	
	Life time	TBD	
	Dimension	5.35" (L) * 1.72"(W) * 0.99 (H) / 135.89x43.69x25.14 mm	
	Mounting	4.88" (M) / 123.9mm	
	Weight	0.23 Kg (0.49 Lb)	



MECHANICAL DRAWING

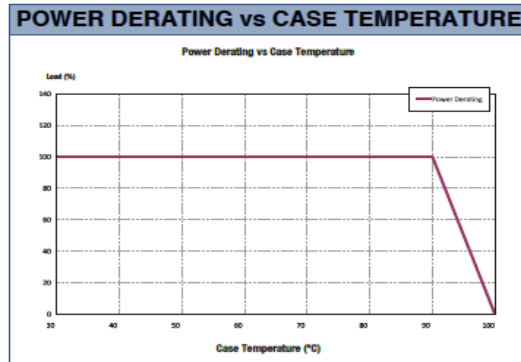
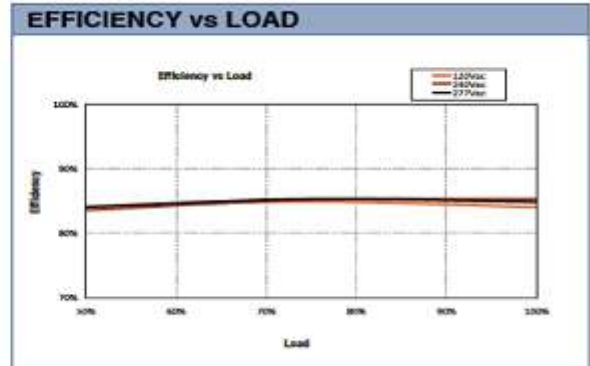
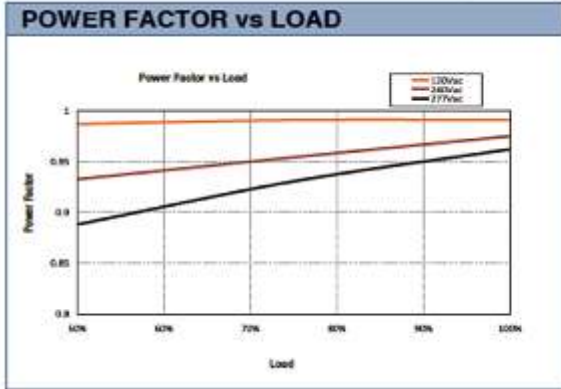


WIRE SPECIFICATIONS

Input:	12", UL 1316 #18AWG (Black and White)
Output:	12", UL 1316 #18AWG (With Non-Class 2 Output) 12", UL 1316/1430 #22AWG (With Class 2 Output) (Red and Blue)
Dimming:	12", UL 1316/1430 #22AWG (Purple and Grey)



DERATING CURVES



SPECIFICATIONS ARE SUBJECT TO CHANGE WITHOUT NOTICE. AUTEC IS NOT RESPONSIBLE FOR ISSUES ARISING FROM ERRORS OR OMISSIONS.