

■ Features

- Power Rating: 100W
- Input Voltage: 120-277Vac ± 10%
- Constant voltage design
- Adjustable output current(0-4000mA)
- Efficiency to 88%
- UL Class P, Class 2
- OCP, OVP, and SCP
- IP20
- 5-year warranty



\*Product images are for illustrative purposes only and may vary from actual design.

■ Application

- Indoor lights

■ Model List\*(See part number scheme for model number details)

Model Number	Input Voltage Range	Output Power	Output Voltage	Output Current Min.	Output Current Max.	Efficiency	Certification
LXWV-100S024ST-J20	120~277Vac ± 10%	96W	24V	0mA	4000mA	87%@120V 88%@240V 88%@277V	UL/cUL

■ Technical Data

Input voltage range	120~277Vac ± 10%
Frequency	50/60Hz
Power factor	> 0.9 @full load, 120V through 277V
Inrush current	20A @230V
Max input current	0.94A @120V and 0.41A @277V
THD	< 20%
Load Regulation	± 2%
Line Regulation	± 1%
Voltage Tolerance	± 5% at full load condition
Turn-on Delay Time	< 2s at full load condition
Overshoot	< 10% at full load condition
No Load Power Consumption	< 3W
Ripple & Noise (pk-pk)	< 3%
Withstand voltage	Input to output, 2,800Vdc, 2mA
Leakage current	Maximum 0.5mA at 277Vac, 60Hz input

Technical Sales / Customer Service: +1-818-338-7788 • Email: [sales@autec.com](mailto:sales@autec.com)  
 31328 Via Colinas Suite 102 • Westlake Village, CA 91362 USA • [www.autec.com](http://www.autec.com)

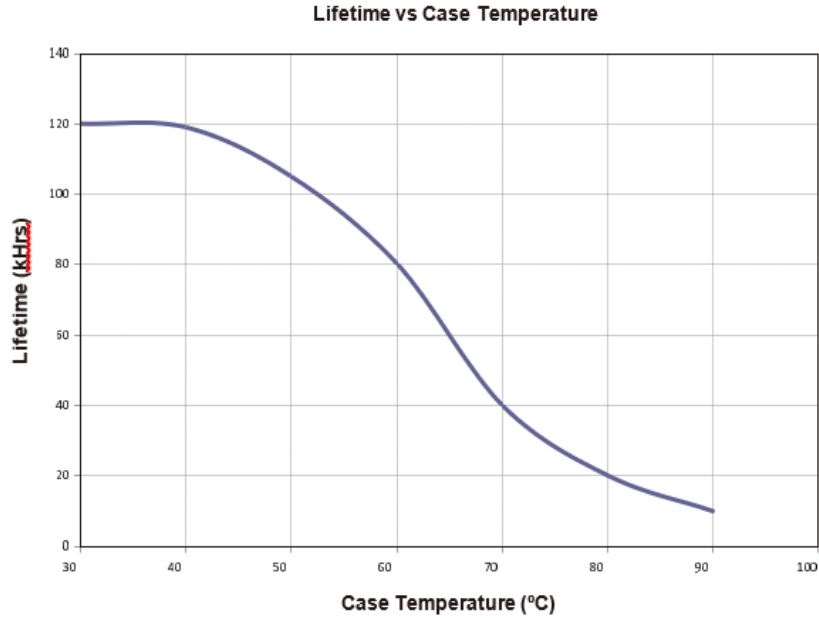
■ **Technical Data (cont.)**

Protection	Over voltage protection: Hiccup mode. Protection will trigger when load voltage exceed specified output voltage and will auto recover after the fault mode is removed. Over current protection: Hiccup mode. Protection will trigger when load current exceed specified output current and will auto recover after the fault mode is removed. Short circuit protection: Hiccup mode. Protection will trigger when short circuit and will auto recover after the fault mode is removed.
Operating temperature	-40 to 60°C
Storage temperature	-40 to 85°C
Humidity	5% to 95%
MTBF	258,000 hours at 40°C ambient (~70°C case temp)
Life rating	80,000 hours at 120Vac input, 100% load and 60°C case temperature
Maximum case Temperature	90°C
Length (L)	11.46" (291mm)
Width (W)	3.00" (77mm)
Height (H)	1.30" (33mm)
Mounting (M)	11.02" (280mm)
Packing	1.2kg /unit; 15pcs /carton; 540pcs /pallet

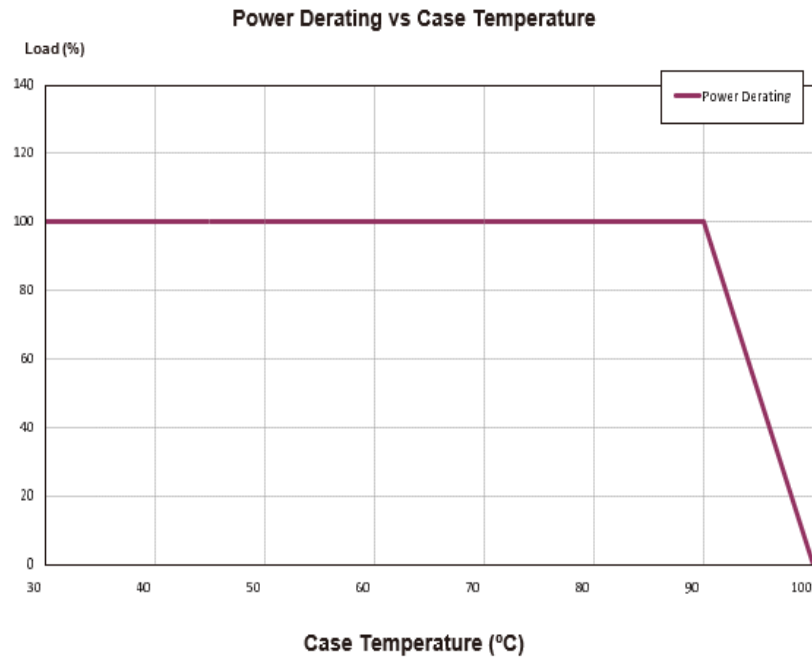
■ **Safety Compliance**

UL/cUL	UL 8750
CE	EN61347-1, EN61347-2-13
FCC, 47CFR Part 15	ANSI C63.4:2009 Class B (Consumer Limit)
EN61000-3-2	Harmonic Current Emissions Class C

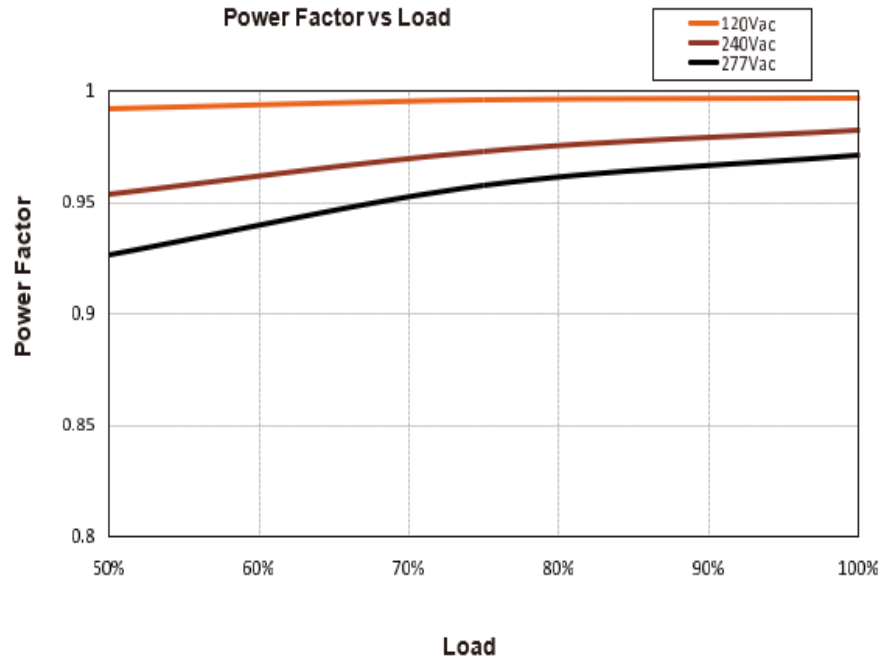
■ **Lifetime vs Case Temperature**



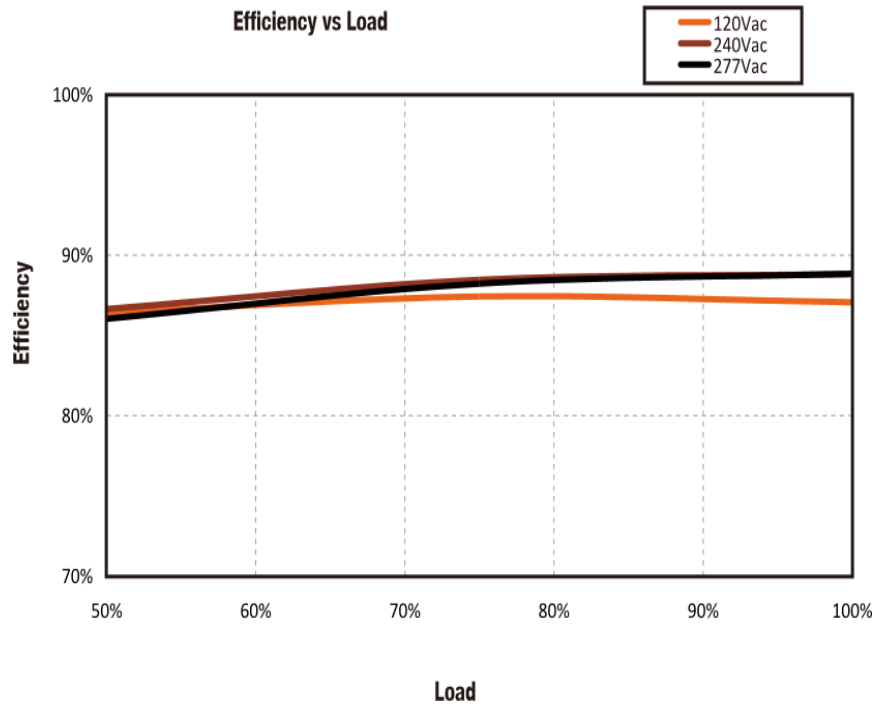
■ **Power Derating vs Case Temperature**



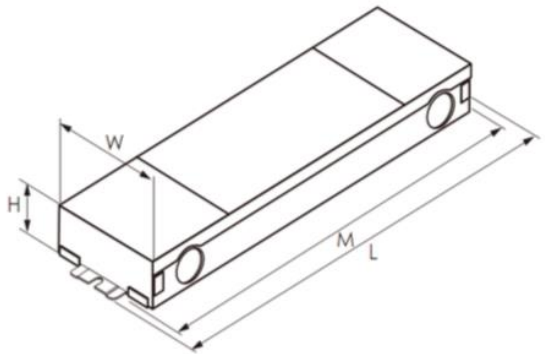
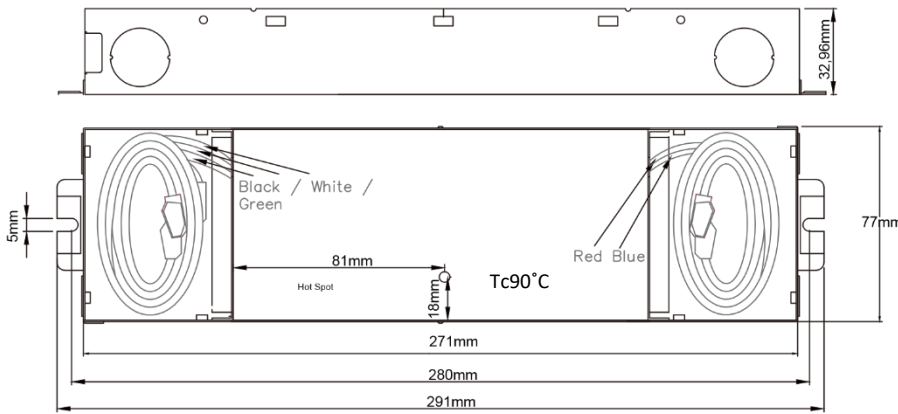
■ Power Factor vs Load



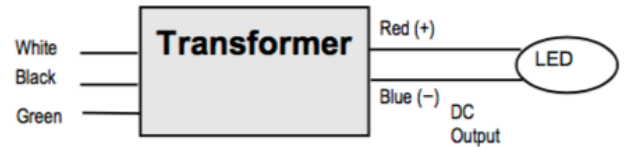
■ Efficiency vs Load



■ Wiring Diagram

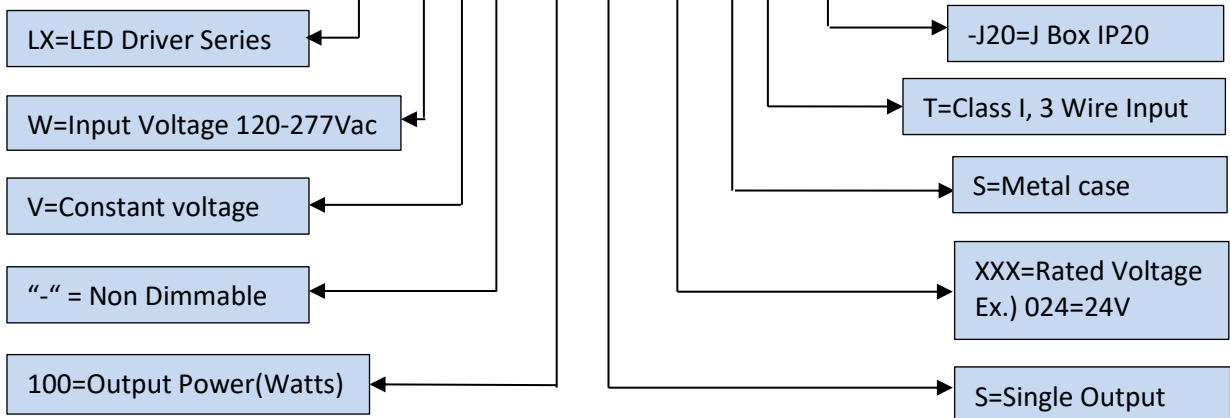


Wire Specifications	
Input	12", UL 1316 #18AWG (White, Black, and Green)
Output	12", UL 1316/1430 #18AWG (Red and Blue)



Part Number Scheme

**LX W V - 100 S XXX S T -J20**



\*Product images are for illustrative purposes only and may vary from actual design.

\*Specifications are subject to change without notice. Autec is not responsible for issues arising from errors or omissions.

Technical Sales / Customer Service: +1-818-338-7788 • Email: [sales@autec.com](mailto:sales@autec.com)  
31328 Via Colinas Suite 102 • Westlake Village, CA 91362 USA • [www.autec.com](http://www.autec.com)