

■ **Features**

- Power Rating: 25W
- Input Voltage: 120-277Vac ± 10%
- Constant current design
- Fixed output current(300mA-1400mA)
- Efficiency to 84%
- Dimmable with 10-V dimmer
- Auxiliary power: 12Vdc, 20mA max
- UL Class 2
- OVP, OCP, SCP
- IP66
- 5-year warranty
- Plastic case



*Product images are for illustrative purposes only and may vary from actual design.

■ **Application**

- Indoor or outdoor lights

■ **Model List***(See part number scheme for model number details)

Model Number	Input Voltage Range	Output Power	Output Voltage	Output Current Min.	Output Current Max.	Efficiency	Certification
LXWCD025S030PS-3	120~277Vac ± 10%	25W	28-83V	300mA	300mA	83% @120V 81% @240V 80% @277V	-/-
LXWCD025S035PS-3	120~277Vac ± 10%	25W	24-72V	350mA	350mA	83% @120V 81% @240V 80% @277V	-/-
LXWCD025S040PS-3	120~277Vac ± 10%	25W	21-63V	400mA	400mA	83% @120V 81% @240V 80% @277V	-/-
LXWCD025S045PS-3	120~277Vac ± 10%	25W	21-56V	450mA	450mA	84% @120V 82% @240V 81% @277V	UL/-
LXWCD025S050PS-3	120~277Vac ± 10%	25W	17-50V	500mA	500mA	84% @120V 82% @240V 81% @277V	UL/-
LXWCD025S058PS-3	120~277Vac ± 10%	25W	14-43V	580mA	580mA	84% @120V 82% @240V 81% @277V	UL/-
LXWCD025S060PS-3	120~277Vac ± 10%	25W	14-42V	600mA	600mA	84% @120V 82% @240V 81% @277V	UL/cUL

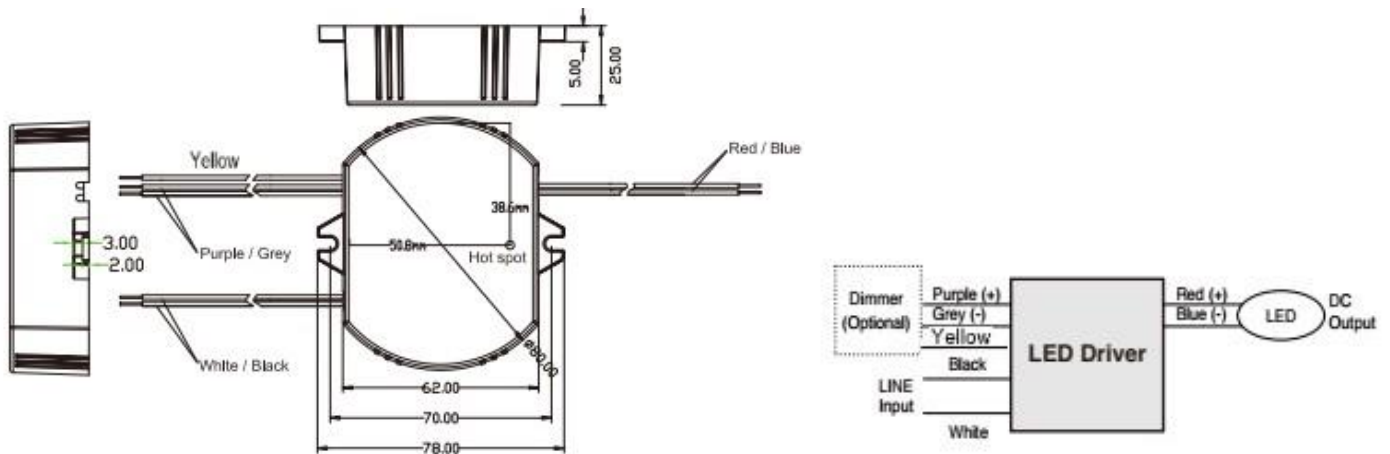
(-3= 3-wire dimming option, Contact Autec Sales for 2-wire dimming options)

Technical Sales / Customer Service: +1-818-338-7788 • Email: sales@autec.com
31328 Via Colinas Suite 102 • Westlake Village, CA 91362 USA • www.autec.com

LXWCD025S070PS-3	120~277Vac ± 10%	25W	12-36V	700mA	700mA	84% @ 120V 82% @ 240V 81% @ 277V	UL/cUL
LXWCD025S080PS-3	120~277Vac ± 10%	25W	10-32V	800mA	800mA	84% @ 120V 82% @ 240V 81% @ 277V	UL/cUL
LXWCD025S090PS-3	120~277Vac ± 10%	25W	9-28V	900mA	900mA	84% @ 120V 82% @ 240V 81% @ 277V	UL/cUL
LXWCD025S100PS-3	120~277Vac ± 10%	25W	8-25V	1000mA	1000mA	84% @ 120V 82% @ 240V 81% @ 277V	UL/cUL
LXWCD025S104PS-3	120~277Vac ± 10%	25W	8-24V	1040mA	1040mA	84% @ 120V 82% @ 240V 81% @ 277V	UL/cUL
LXWCD025S110PS-3	120~277Vac ± 10%	25W	8-23V	1100mA	1100mA	84% @ 120V 82% @ 240V 81% @ 277V	UL/cUL
LXWCD025S120PS-3	120~277Vac ± 10%	25W	8-21V	1200mA	1200mA	84% @ 120V 82% @ 240V 81% @ 277V	UL/cUL
LXWCD025S140PS-3	120~277Vac ± 10%	25W	6-18V	1400mA	1400mA	84% @ 120V 82% @ 240V 81% @ 277V	UL/cUL

(-3= 3-wire dimming option, Contact Autec Sales for 2-wire dimming options)

■ Wiring Diagram



Wire Specifications

Input	12", UL 1316 #18AWG (Black and White)
Output	12", UL 1316 #18AWG (With Non-Class 2 output)
Output	12", UL 1316/1430 #22AWG (With Class 2 Output) (Red and Blue)
Dimming	12", UL 1316/1430 #22AWG (Purple and Grey), Auxiliary power: 12Vdc, 20mA max (Yellow)

Technical Sales / Customer Service: +1-818-338-7788 • Email: sales@autec.com
31328 Via Colinas Suite 102 • Westlake Village, CA 91362 USA • www.autec.com

■ Technical Data

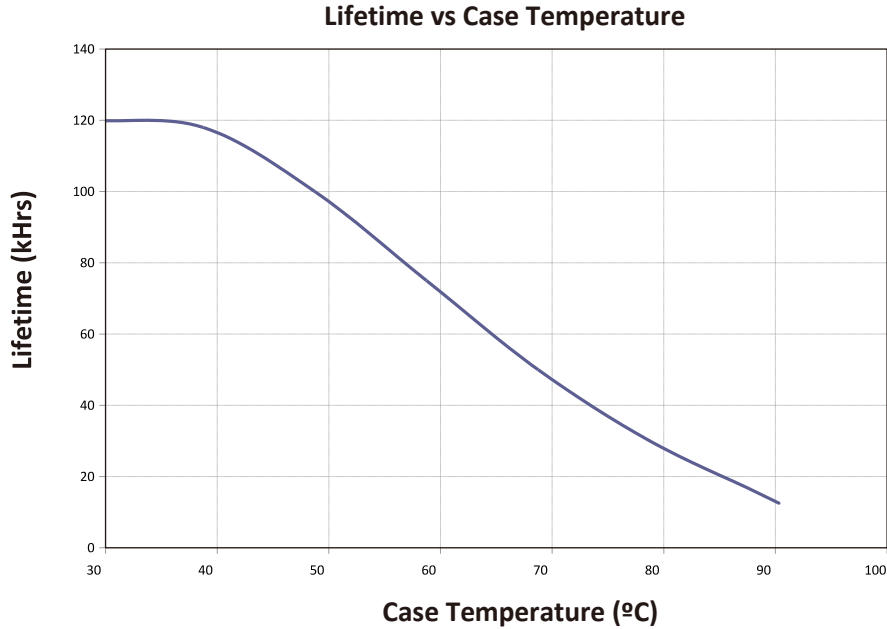
Input voltage range	120~277Vac ± 10%
Frequency	50/60Hz
Power factor	> 0.9 under 120~277Vac input with 80~100% load condition (for all output currents)
Inrush current	10A @ 120V
Max input current	0.28A @120V, 0.16A @240V, 0.13A @277V
THD	< 20% under 120~277Vac input with 80~100% load condition (for all output currents)
Load Regulation	± 2%
Line Regulation	± 2%
Current Tolerance	± 5% at full load condition
Turn-on Delay Time	< 0.5s at full load condition
Overshoot	< 10% at full load condition
No Load Power Consumption	<1W
Ripple & Noise (pk-pk)	<10%
Withstand voltage	Input to output, 4,000Vdc, 2mA
Leakage current	Maximum 0.5mA at 277Vac, 60Hz input
Protection	<p>Over voltage protection: Hiccup mode. Protection will trigger when load voltage exceeds specified output voltage and will auto recover after the fault mode is removed.</p> <p>Over current protection: Hiccup mode. Protection will trigger when load current exceeds specified output current and will auto recover after the fault mode is removed.</p> <p>Short circuit protection: Hiccup mode. Protection will trigger when short circuit and will auto recover after the fault mode is removed.</p>
Operating temperature	-40 to 60°C
Storage temperature	-40 to 85°C
Humidity	5% to 95%
MTBF	374,000 hours at 40°C ambient (~70°C case temp)
Life rating	75,000 hours at 120Vac input, 100% load and 60°C case temperature
Maximum case temperature	90°C
Length (L)	3.15" (80mm)
Width (W)	3.07" (78mm)
Height (H)	1.00" (25.4mm)
Mounting (M)	2.76" (70mm)
Packing	0.19kg/unit; 50 pcs/carton; 2000pcs/pallet

Technical Sales / Customer Service: +1-818-338-7788 • Email: sales@autec.com
 31328 Via Colinas Suite 102 • Westlake Village, CA 91362 USA • www.autec.com

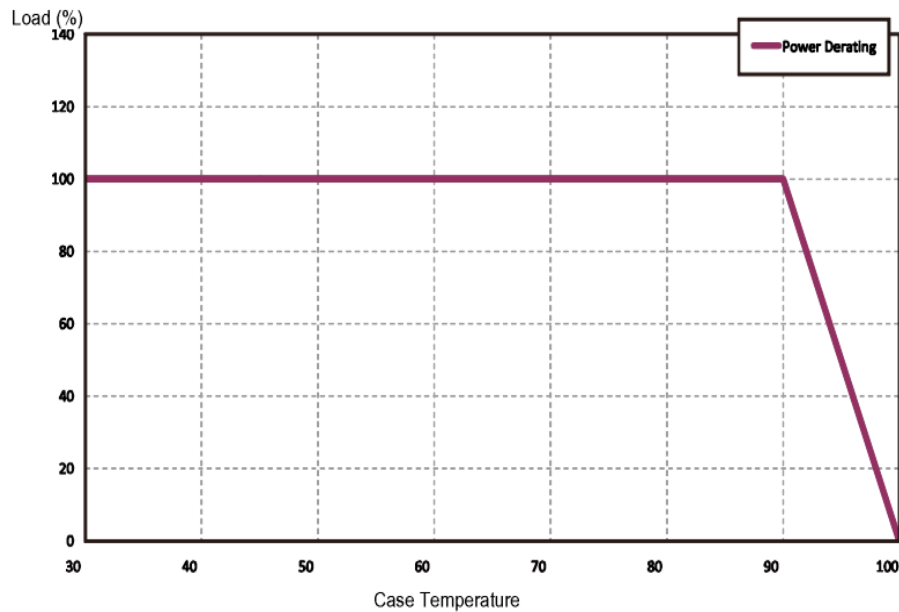
■ Safety Compliance

UL/cUL	UL 8750, Class P, Type HL
CE	EN61347-1, EN61347-2-13
FCC, 47CFR Part 15	ANSI C63.4:2009 Class B (Consumer Limit)
EN61000-3-2	Harmonic Current Emissions Class C

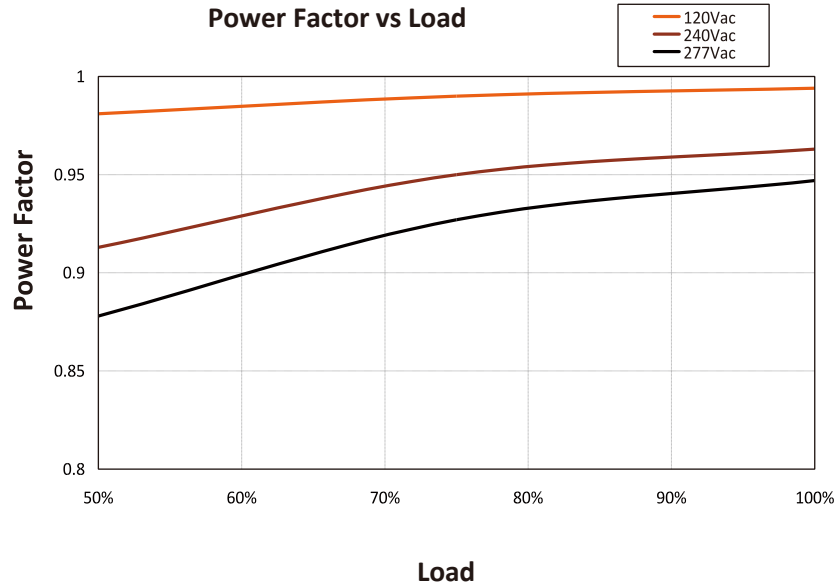
■ Lifetime vs Case Temperature



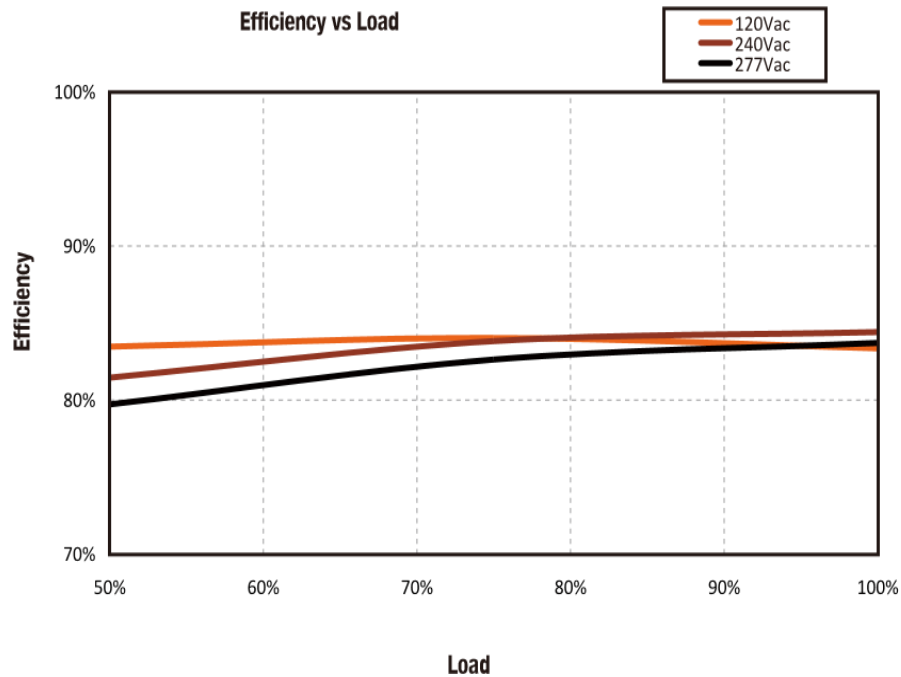
■ Power Derating vs Case Temperature

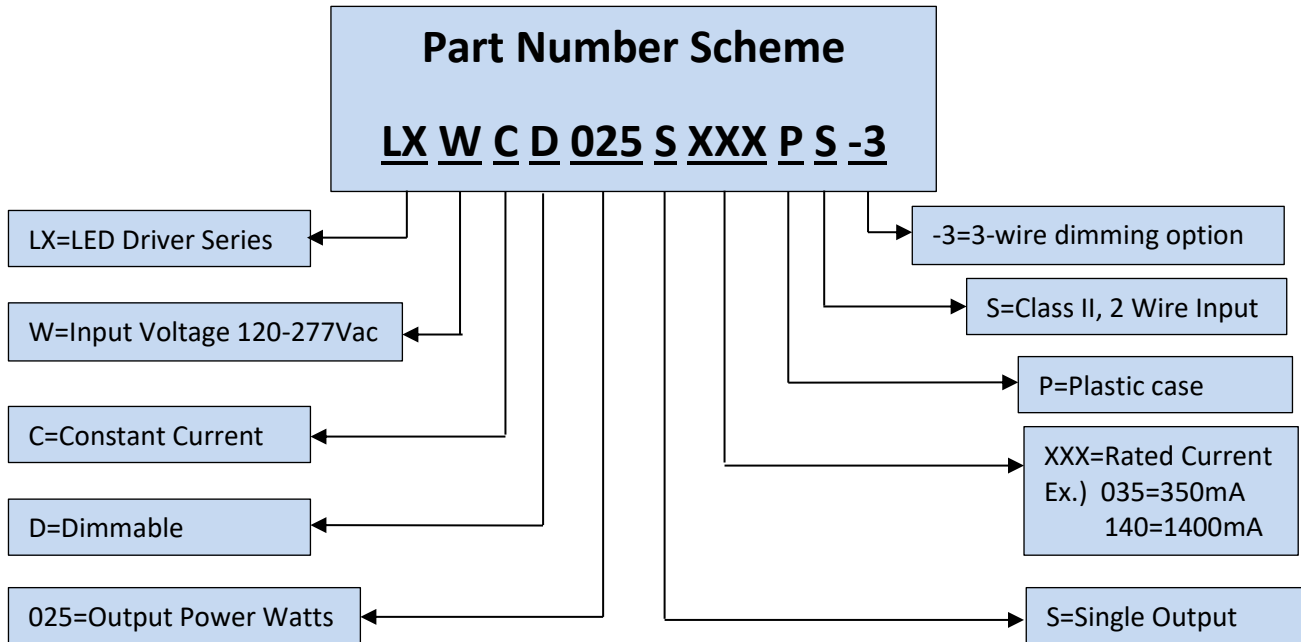


■ **Power Factor vs Load** LXWCD025S070PS-3



■ **Efficiency vs Load** LXWCD025S070PS-3





*Product images are for illustrative purposes only and may vary from actual design.

*Specifications are subject to change without notice. Autec is not responsible for issues arising from errors or omissions.