

■ Features

- Power Rating: 25W
- Input Voltage: 120-277Vac ± 10%
- Constant current design
- Fixed output current(300mA-1400mA)
- Efficiency to 84%
- Dimmable with 0-10V dimmer
- UL Class 2
- OVP, OCP, SCP
- IP20
- 5-year warranty
- Metal case



*Product images are for illustrative purposes only and may vary from actual design.

■ Application

- Indoor or outdoor lights

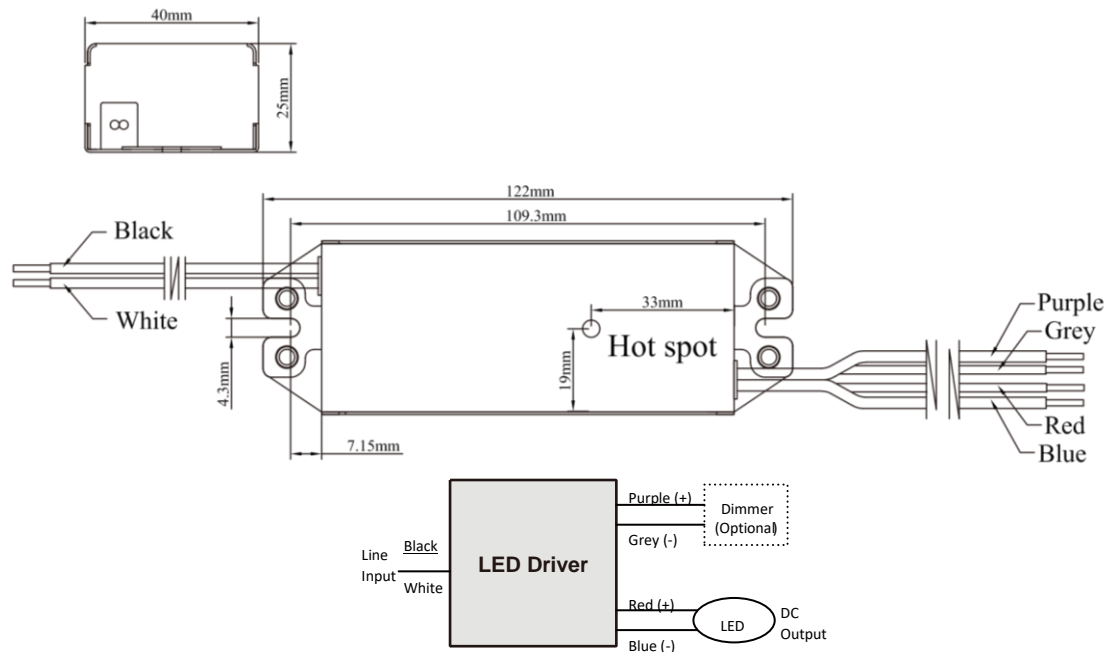
■ Model List*(See part number scheme for model number details)

Model Number	Input Voltage Range	Output Power	Output Voltage	Output Current Min.	Output Current Max.	Efficiency	Certification
LXWCD025S030SS-20	120~277Vac ± 10%	25W	42-84V	300mA	300mA	83% @120V 83% @240V 83% @277V	-/-
LXWCD025S040SS-20	120~277Vac ± 10%	25W	31-63V	400mA	400mA	83% @120V 83% @240V 83% @277V	-/-
LXWCD025S050SS-20	120~277Vac ± 10%	25W	25-50V	500mA	500mA	83% @120V 83% @240V 83% @277V	UL/-
LXWCD025S060SS-20	120~277Vac ± 10%	25W	21-42V	600mA	600mA	84% @120V 84% @240V 84% @277V	UL/cUL
LXWCD025S070SS-20	120~277Vac ± 10%	25W	18-36V	700mA	700mA	84% @120V 84% @240V 84% @277V	UL/cUL
LXWCD025S080SS-20	120~277Vac ± 10%	25W	16-32V	800mA	800mA	84% @120V 84% @240V 84% @277V	UL/cUL
LXWCD025S090SS-20	120~277Vac ± 10%	25W	14-28V	900mA	900mA	84% @120V 84% @240V 84% @277V	UL/cUL

Technical Sales / Customer Service: +1-818-338-7788 • Email: sales@autec.com
 31328 Via Colinas Suite 102 • Westlake Village, CA 91362 USA • www.autec.com

Model Number	Input Voltage Range	Output Power	Output Voltage	Output Current Min.	Output Current Max.	Efficiency	Certification
LXWCD025S100SS-20	120~277Vac ± 10%	25W	12-25V	1000mA	1000mA	84% @ 120V 84% @ 240V 84% @ 277V	UL/cUL
LXWCD025S110SS-20	120~277Vac ± 10%	25W	12-23V	1100mA	1100mA	84% @ 120V 84% @ 240V 84% @ 277V	UL/cUL
LXWCD025S120SS-20	120~277Vac ± 10%	25W	12-21V	1200mA	1200mA	84% @ 120V 84% @ 240V 84% @ 277V	UL/cUL
LXWCD025S130SS-20	120~277Vac ± 10%	25W	12-19V	1300mA	1300mA	84% @ 120V 84% @ 240V 84% @ 277V	UL/cUL
LXWCD025S140SS-20	120~277Vac ± 10%	25W	12-18V	1400mA	1400mA	84% @ 120V 84% @ 240V 84% @ 277V	UL/cUL

■ Wiring Diagram



Wire Specifications	
Input	12", UL 1316 #18AWG (Black and White)
Output	12", UL 1569 #18AWG (with Non-Class 2 output)
Output	12", UL 1316/1430 #22AWG (with Class 2 output)
Dimming	Dimming: 12" UL 1316/1430 #22AWG (Purple and Grey)

Technical Sales / Customer Service: +1-818-338-7788 • Email: sales@autec.com
 31328 Via Colinas Suite 102 • Westlake Village, CA 91362 USA • www.autec.com

■ **Technical Data**

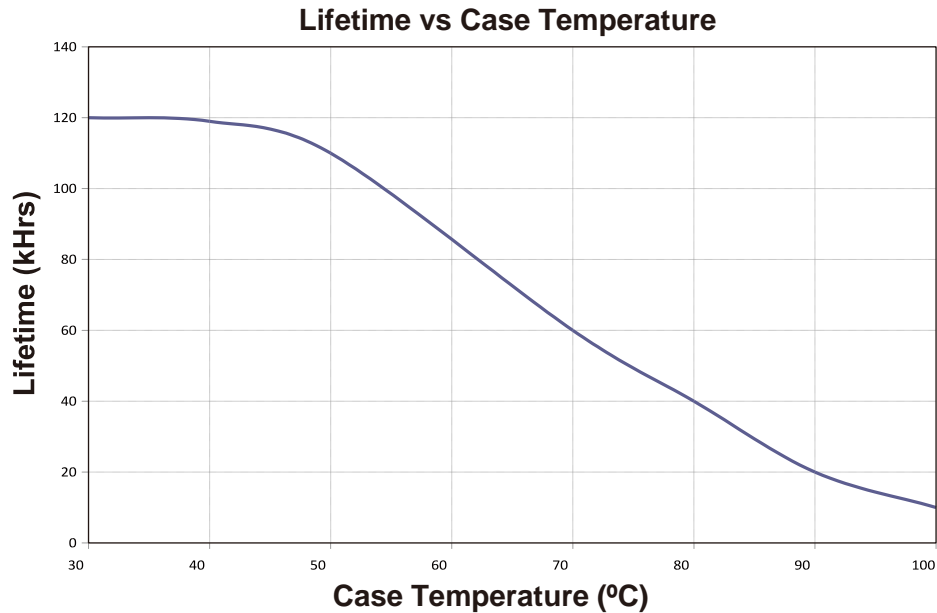
Input voltage range	120~277Vac ± 10%
Frequency	50/60Hz
Power factor	> 0.9 under 120~277Vac input with 80~100% load condition (for all output currents)
Inrush current	7A @ 230V
Max input current	0.26A @120V, 0.15A @240V, 0.13A @277V
THD	< 20% under 120~277Vac input with 80~100% load condition (for all output currents)
Load Regulation	± 2%
Line Regulation	± 1%
Current Tolerance	± 5% at full load condition
Turn-on Delay Time	< 0.75s at full load condition
Overshoot	< 10% at full load condition
No Load Power Consumption	<3W
Ripple & Noise (pk-pk)	<10%
Withstand voltage	Input to output, 2,800Vdc, 2mA
Leakage current	Maximum 0.5mA at 277Vac, 60Hz input
Protection	<p>Over voltage protection: Hiccup mode. Protection will trigger when load voltage exceeds specified output voltage and will auto recover after the fault mode is removed.</p> <p>Over current protection: Hiccup mode. Protection will trigger when load current exceeds specified output current and will auto recover after the fault mode is removed.</p> <p>Short circuit protection: Hiccup mode. Protection will trigger when short circuit and will auto recover after the fault mode is removed.</p>
Operating temperature	-40 to 60°C
Storage temperature	-40 to 85°C
Humidity	5% to 95%
MTBF	376,000 hours at 40°C ambient (~70°C case temp)
Life rating	85,000 hours at 120Vac input, 100% load and 60°C case temp
Maximum case Temperature	90°C
Length (L)	4.80" (122mm)
Width (W)	1.58" (40mm)
Height (H)	0.96" (25mm)
Mounting (M)	4.29" (109mm)
Packing	0.22kg/unit; 60pcs/carton; 2,700pcs/pallet

Technical Sales / Customer Service: +1-818-338-7788 • Email: sales@autec.com
 31328 Via Colinas Suite 102 • Westlake Village, CA 91362 USA • www.autec.com

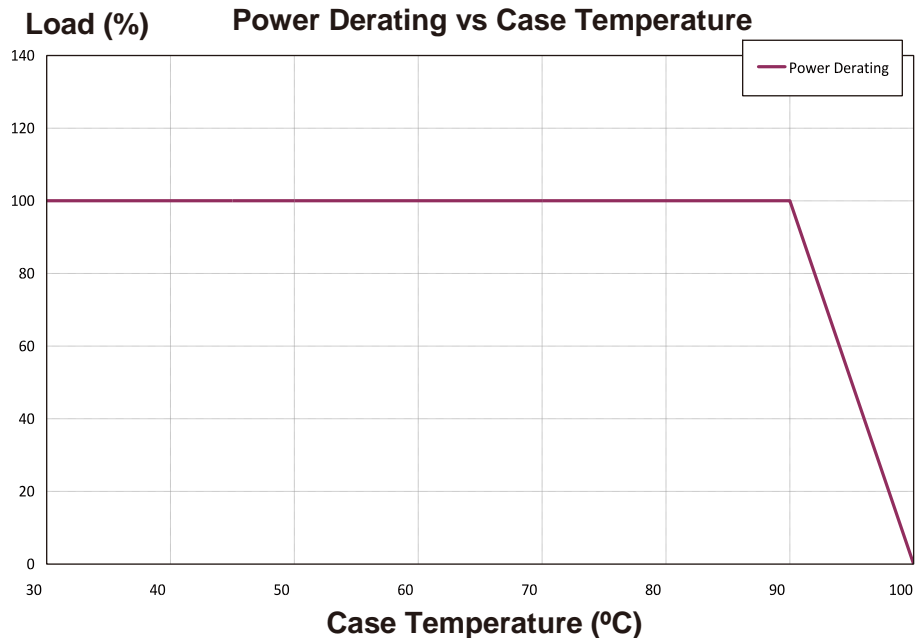
■ **Safety Compliance**

UL/cUL	UL 8750 pending
CE	EN61347-1, EN61347-2-13
FCC, 47CFR Part 15	ANSI C63.4:2009 Class B (Consumer Limit)
EN61000-3-2	Harmonic Current Emissions Class C

■ **Lifetime vs Case Temperature**

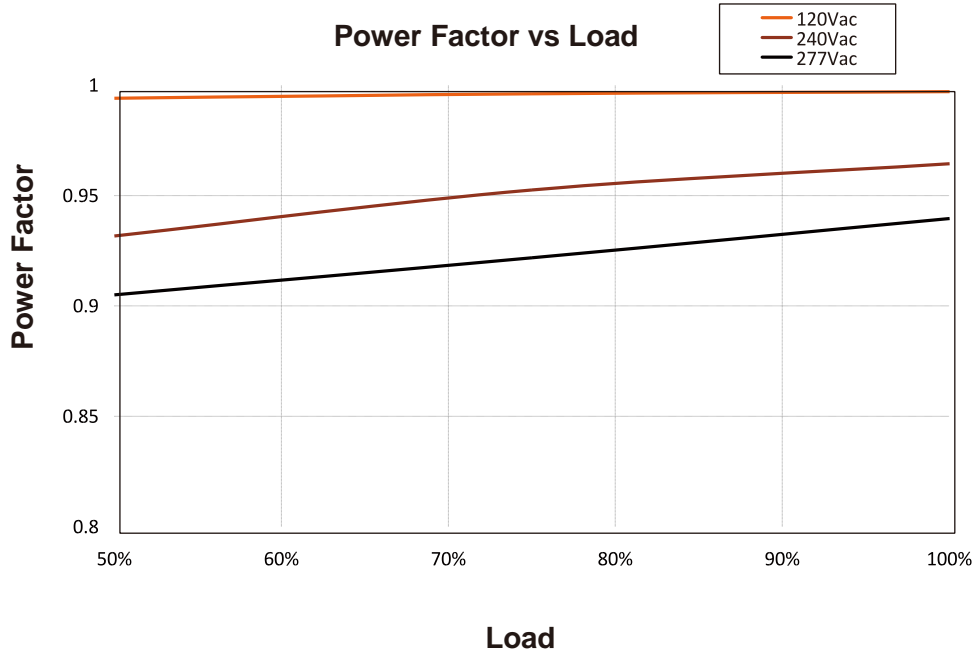


■ **Power Derating vs Case Temperature**

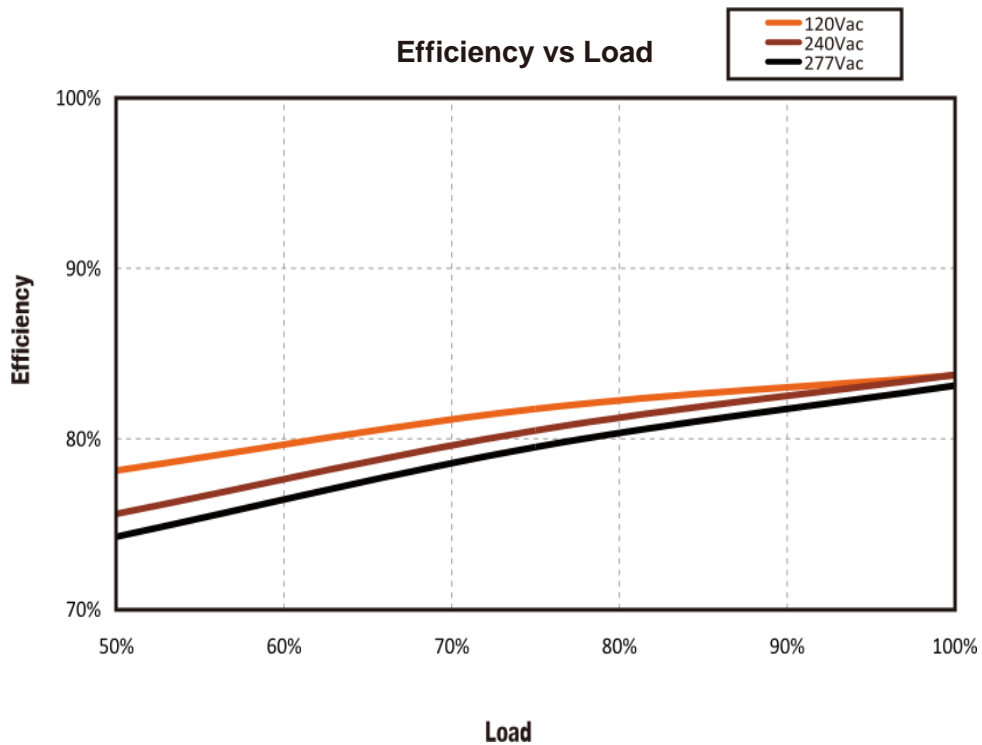


Technical Sales / Customer Service: +1-818-338-7788 • Email: sales@autec.com
31328 Via Colinas Suite 102 • Westlake Village, CA 91362 USA • www.autec.com

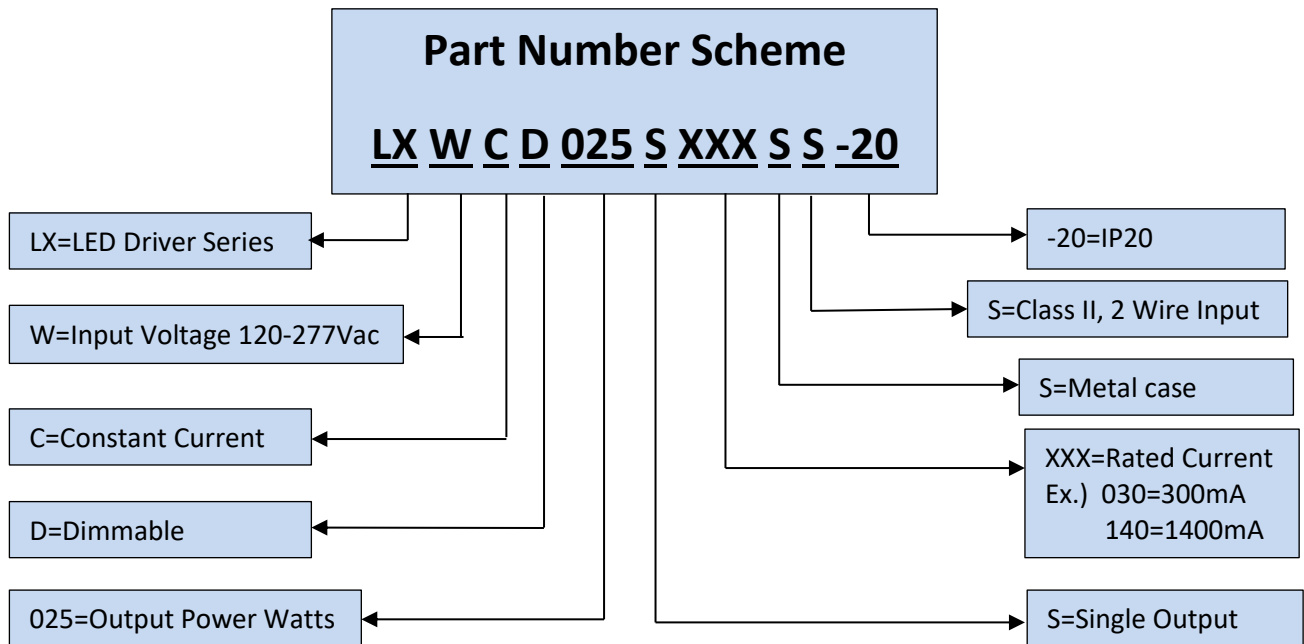
■ Power Factor vs Load



■ Efficiency vs Load



Technical Sales / Customer Service: +1-818-338-7788 • Email: sales@autec.com
31328 Via Colinas Suite 102 • Westlake Village, CA 91362 USA • www.autec.com



*Product images are for illustrative purposes only and may vary from actual design.

*Specifications are subject to change without notice. Autec is not responsible for issues arising from errors or omissions.