

■ **Features**

- Power Rating: 22W
- Input Voltage: 120-277Vac ± 10%
- Constant current design
- Fixed output current(350mA-1100mA)
- Efficiency to 84%
- Dimmable with 0-10V dimmer
- UL Class 2
- OVP, OCP, SCP
- IP20
- 5-year warranty
- Metal case

■ **Application**

- Indoor lights

■ **Model List***(See part number scheme for model number details)



*Product images are for illustrative purposes only and may vary from actual design.

Model Number	Input Voltage Range	Output Power	Output Voltage	Output Current Min.	Output Current Max.	Efficiency	Certification
LXWCD022S035SS-20	120~277Vac ± 10%	22W	32-63V	350mA	350mA	84%@120V 83%@240V 83%@277V	-/-
LXWCD022S040SS-20	120~277Vac ± 10%	22W	28-55V	400mA	400mA	84%@120V 83%@240V 83%@277V	-/-
LXWCD022S050SS-20	120~277Vac ± 10%	22W	22-44V	500mA	500mA	84%@120V 83%@240V 83%@277V	UL/-
LXWCD022S060SS-20	120~277Vac ± 10%	22W	18-36V	600mA	600mA	84%@120V 83%@240V 83%@277V	UL/cUL
LXWCD022S070SS-20	120~277Vac ± 10%	22W	16-32V	700mA	700Ma	84%@120V 83%@240V 83%@277V	UL/cUL
LXWCD022S080SS-20	120~277Vac ± 10%	22W	14-28V	800mA	800mA	84%@120V 83%@240V 83%@277V	UL/cUL
LXWCD022S090SS-20	120~277Vac ± 10%	22W	12-24V	900mA	900mA	84%@120V 83%@240V 83%@277V	UL/cUL
LXWCD022S100SS-20	120~277Vac ± 10%	22W	12-22V	1000mA	1000mA	84%@120V 83%@240V 83%@277V	UL/cUL
LXWCD022S110SS-20	120~277Vac ± 10%	22W	12-20V	1100mA	1100mA	84%@120V 83%@240V 83%@277V	UL/cUL

■ **Technical Data**

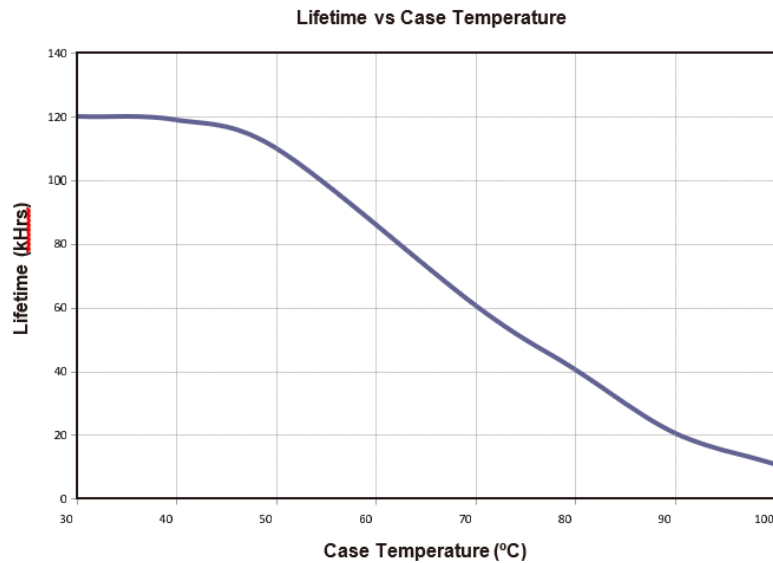
Input voltage range	120~277Vac ± 10%
Frequency	50/60Hz
Power factor	> 0.9 under 120-277Vac input with 80-100% load condition (for all output currents)
Inrush current	30A @277V
Max input current	0.25A @120V, 0.14A@240V and 0.12A @277V
THD	<20% under 120-277Vac input with 80-100% load condition (for all output currents)
Load regulation	± 2%
Line regulation	± 2%
Output tolerance	± 5% at full load condition
Turn-on delay time	<0.5s at full load condition
Overshoot	<10% at full load condtion
No load power consumption	<2W
Ripple & noise (pk-pk)	<10%
Withstand voltage	Input to output, 2,800Vdc, 60Hz input
Leakage current	Maximum 0.5mA at 277Vac, 60Hz input
Protection	<p>Over voltage protection: Hiccup mode. Protection will trigger when load voltage exceed specified output voltage and will auto recover after the fault mode is removed.</p> <p>Over current protection: Hiccup mode. Protection will trigger when load current exceed specified output current and will auto recover after the fault mode is removed.</p> <p>Short circuit protection: Hiccup mode. Protection will trigger when short circuit and will auto recover after the fault mode is removed.</p> <p>Over temperature protection: Protection will trigger when driver overheat and auto-recovery when cooled down.</p>
Operating temperature	-40 to 60°C
Storage temperature	-40 to 85°C
Humidity	5% to 95%
MTBF	510,000 hours at 40°C ambient (~70°C case temp)
Life rating	85,000 hours at 120Vac input, 100% load and 60°C case temperature
Maximum case Temperature	90°C
Length (L)	6.46" (164.084mm)
Width (W)	1.37" (34.80mm)
Height (H)	1.00" (25.4mm)
Mounting (M)	6.00" (152.4mm)
Packing	0. 23kg / unit; 50pcs / carton; 2,000pcs / pallet

Technical Sales / Customer Service: +1-818-338-7788 • Email: sales@autec.com
 31328 Via Colinas Suite 102 • Westlake Village, CA 91362 USA • www.autec.com

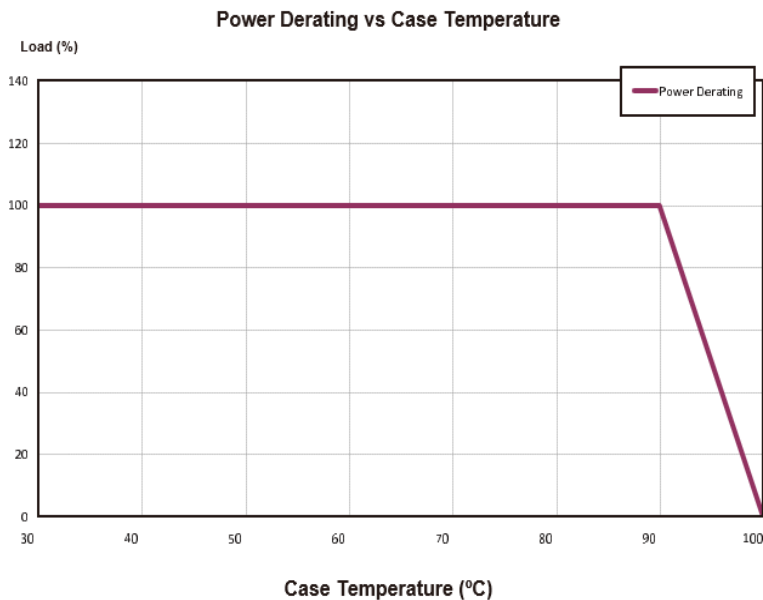
■ **Safety Compliance**

UL/cUL	UL 8750, Class P, Type HL
CE	EN61347-1, EN61347-2-13
FCC, 47CFR Part 15	ANSI C63.4:2009 Class B Consumer Limit
EN61000-3-2	Harmonic Current Emissions Class C

■ **Lifetime vs Case Temperature**

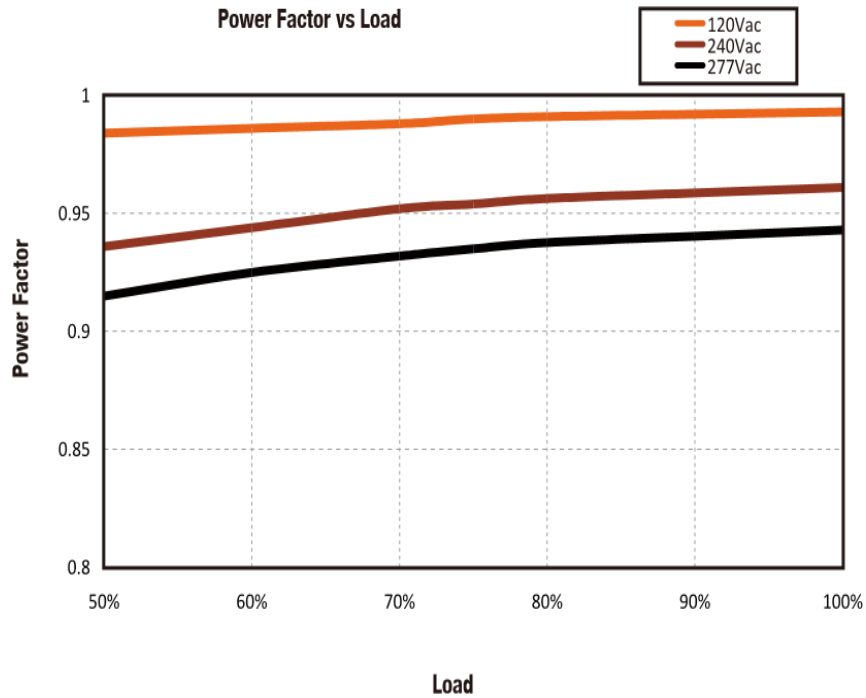


■ **Power Derating vs Case Temperature**

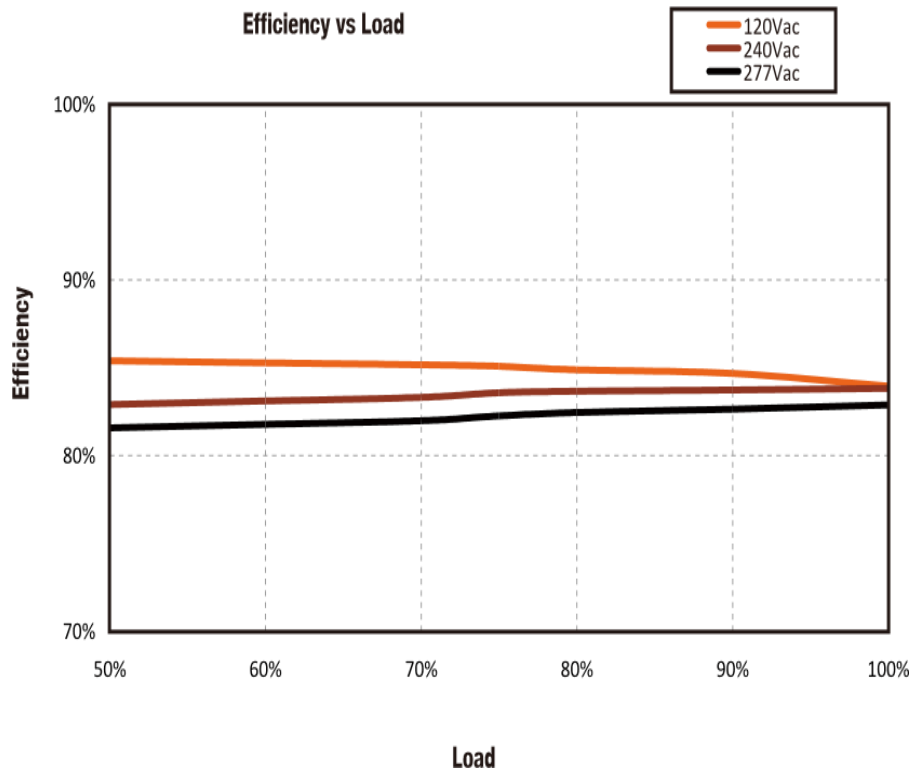


Technical Sales / Customer Service: +1-818-338-7788 • Email: sales@autec.com
 31328 Via Colinas Suite 102 • Westlake Village, CA 91362 USA • www.autec.com

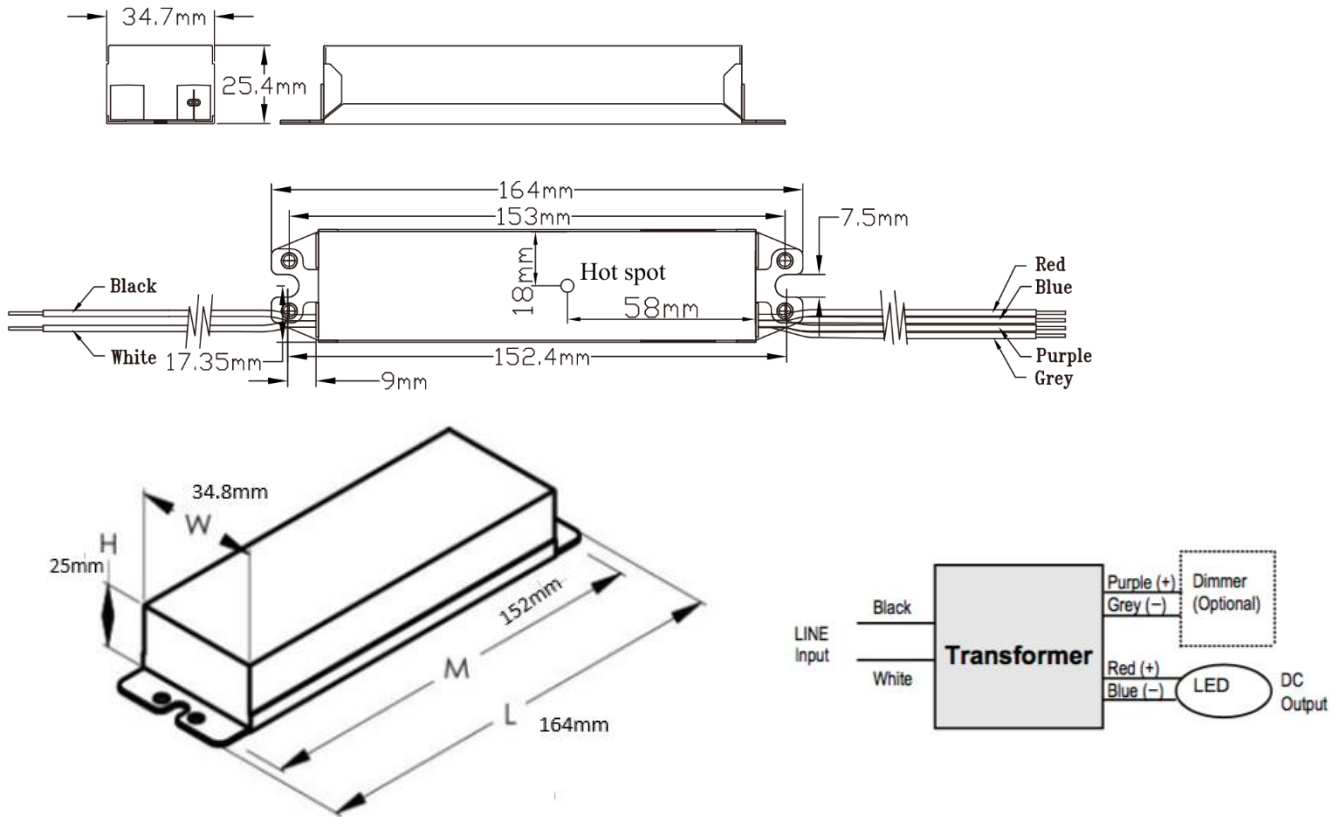
■ Power Factor vs Load



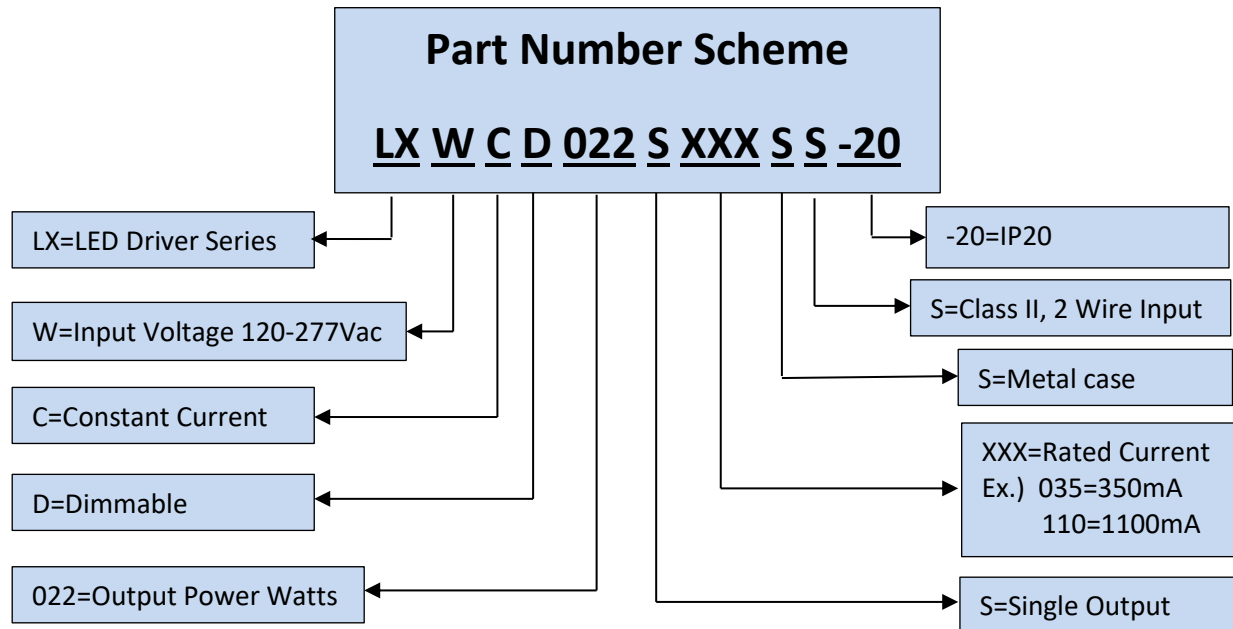
■ Efficiency vs Load



■ **Wiring Diagram**



Wire Specifications	
Input	12", UL 1316 #18AWG (Black and White)
Output	UL 1569 #18AWG (with Non-Class 2 output)
Output	12", UL 1316/1430 #22AWG (with Class 2 output)
Dimming	Dimming: 12" UL 1316/1430 #22AWG (Purple and Grey)



*Product images are for illustrative purposes only and may vary from actual design.

*Specifications are subject to change without notice. Autec is not responsible for issues arising from errors or omissions.