

■ **Features**

- Power Rating: 16W
- Input Voltage: 120-277Vac ± 10%
- Constant current design
- Fixed output current(300mA-1100mA)
- Efficiency to 84%
- Auxiliary power: 12Vdc, 20mA max
- Dimmable with 0-10V dimmer
- UL Class 2
- OVP, OCP, SCP
- IP66
- 5-year warranty
- Plastic case

■ **Application**

- Indoor or outdoor lights

■ **Model List***(See part number scheme for model number details)



*Product images are for illustrative purposes only and may vary from actual design.

Model Number	Input Voltage Range	Output Power	Output Voltage	Output Current Min.	Output Current Max.	Efficiency	Certification
LXWCD016S030PS-3	120~277Vac ± 10%	16W	17-53V	300mA	300mA	84% @120V 83% @240V 82% @277V	UL/-
LXWCD016S035PS-3	120~277Vac ± 10%	16W	15-46V	350mA	350mA	84% @120V 83% @240V 82% @277V	UL/-
LXWCD016S036PS-3	120~277Vac ± 10%	16W	14-44V	360mA	360mA	84% @120V 83% @240V 82% @277V	UL/-
LXWCD016S040PS-3	120~277Vac ± 10%	16W	14-40V	400mA	400mA	84% @120V 83% @240V 82% @277V	UL/cUL
LXWCD016S045PS-3	120~277Vac ± 10%	16W	14-37V	450mA	450mA	84% @120V 83% @240V 82% @277V	UL/cUL
LXWCD016S050PS-3	120~277Vac ± 10%	16W	14-32V	500mA	500mA	84% @120V 83% @240V 82% @277V	UL/cUL
LXWCD016S060PS-3	120~277Vac ± 10%	16W	12-27V	600mA	600mA	84% @120V 83% @240V 82% @277V	UL/cUL
LXWCD016S070PS-3	120~277Vac ± 10%	16W	10-23V	700mA	700mA	84% @120V 83% @240V 82% @277V	UL/cUL

(-3= 3-wire dimming option, Contact Autec Sales for 2-wire dimming options)

Technical Sales / Customer Service: +1-818-338-7788 • Email: sales@autec.com
31328 Via Colinas Suite 102 • Westlake Village, CA 91362 USA • www.autec.com

■ Model List(cont.)

Model Number	Input Voltage Range	Output Power	Output Voltage	Output Current Min.	Output Current Max.	Efficiency	Certification
LXWCD016S080PS-3	120~277Vac ± 10%	16W	9-20V	800mA	800mA	84% @120V 83% @240V 82% @277V	UL/cUL
LXWCD016S090PS-3	120~277Vac ± 10%	16W	8-18V	900mA	900mA	84% @120V 83% @240V 82% @277V	UL/cUL
LXWCD016S100PS-3	120~277Vac ± 10%	16W	7-16V	1000mA	1000mA	84% @120V 83% @240V 82% @277V	UL/cUL
LXWCD016S110PS-3	120~277Vac ± 10%	16W	6-15V	1100mA	1100mA	84% @120V 83% @240V 82% @277V	UL/cUL

(-3= 3-wire dimming option, Contact Autec Sales for 2-wire dimming options)

■ Technical Data

Input voltage range	120~277Vac ± 10%
Frequency	50/60Hz
Power factor	> 0.9 under 120~277Vac input with 80~100% load condition (for all output currents)
Inrush current	10A @ 120V
Max input current	0.19A @120V, 0.11A @240V, and 0.09A @277V
THD	< 20% under 120~277Vac input with 80~100% load condition (for all output currents)
Load Regulation	± 2%
Line Regulation	± 2%
Current Tolerance	± 5% at full load condition
Turn-on Delay Time	< 0.5s at full load condition
Overshoot	< 10% at full load condition
No Load Power Consumption	< 1W
Ripple & Noise (pk-pk)	< 10%
Withstand voltage	Input to output, 2,800Vdc, 2mA
Leakage current	Maximum 0.5mA at 277Vac, 60Hz input

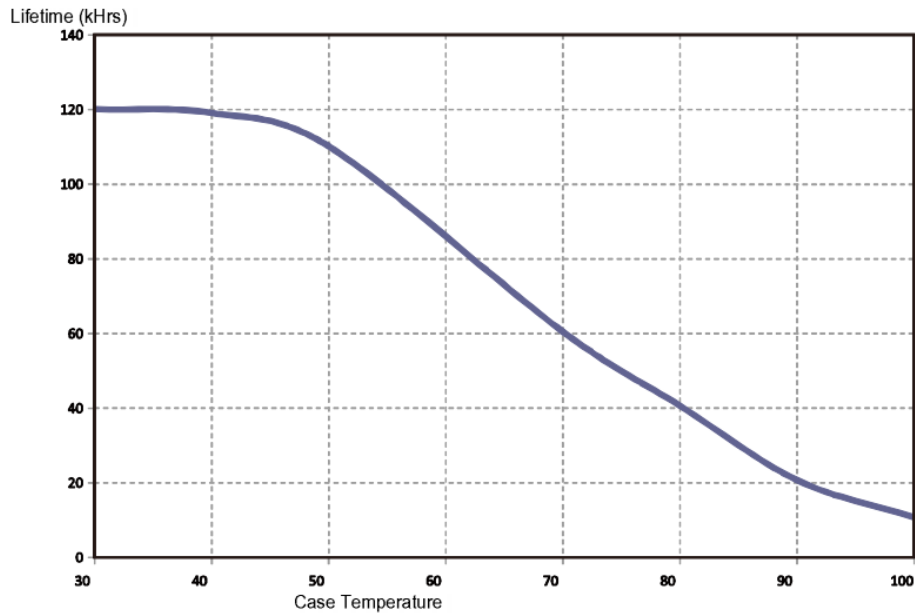
■ **Technical Data(Cont.)**

Protection	Over voltage protection: Hiccup mode. Protection will trigger when load voltage exceeds specified output voltage and will auto recover after the fault mode is removed. Over current protection: Hiccup mode. Protection will trigger when load current exceeds specified output current and will auto recover after the fault mode is removed. Short circuit protection: Hiccup mode. Protection will trigger when short circuit and will auto recover after the fault mode is removed.
Operating temperature	-40 to 60°C
Storage temperature	-40 to 85°C
Humidity	5% to 95%
MTBF	690,000 hours at 40°C ambient (~70°C case temp)
Life rating	75,000 hours at 120Vac input, 100% load and 60°C case temperature
Maximum case Temperature	90°C
Length (L)	3.15" (80mm)
Width (W)	3.07" (78mm)
Height (H)	1.00" (25.4mm)
Mounting (M)	2.76" (70mm)
Packing	0.19kg/unit; 50 pcs/carton; 2000pcs/pallet

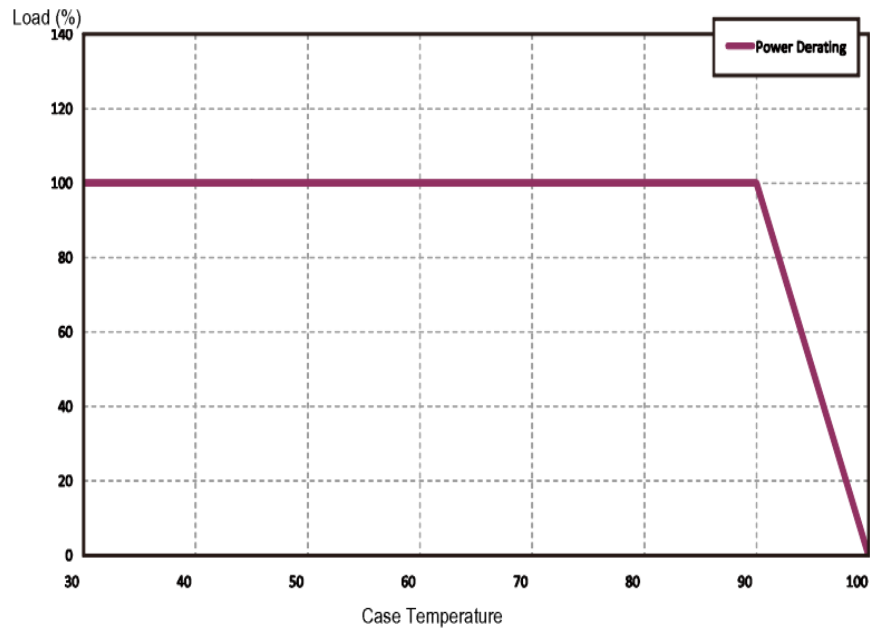
■ **Safety Compliance**

UL/cUL	UL 8750, Class P, Type HL
CE	EN61347-1, EN61347-2-13
FCC, 47CFR Part 15	ANSI C63.4:2009 Class B (Consumer Limit)
EN61000-3-2	Harmonic Current Emissions Class C

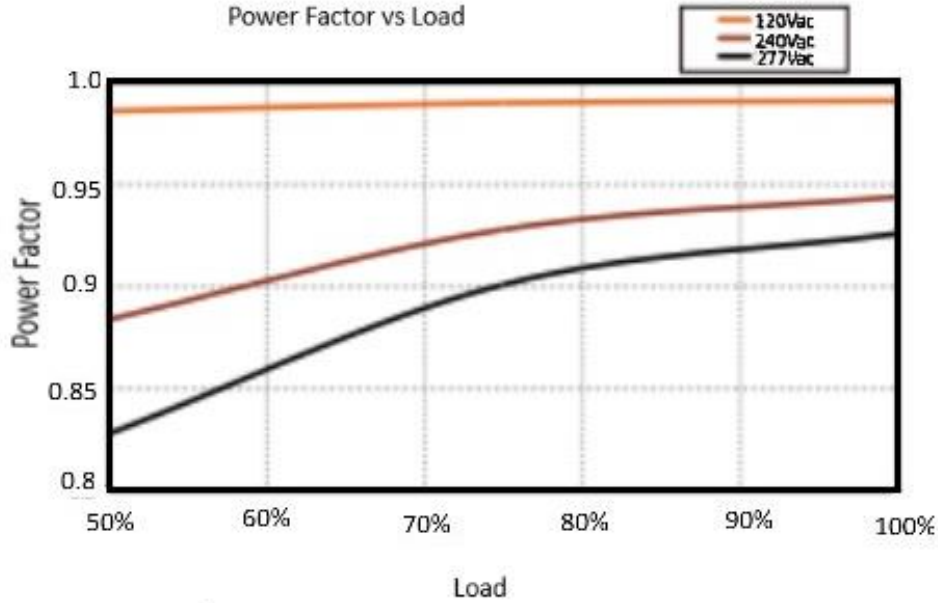
■ Lifetime vs Case Temperature



■ Power Derating vs Case Temperature



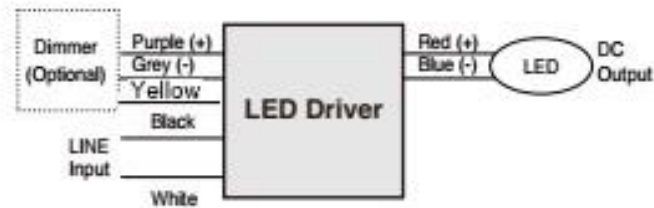
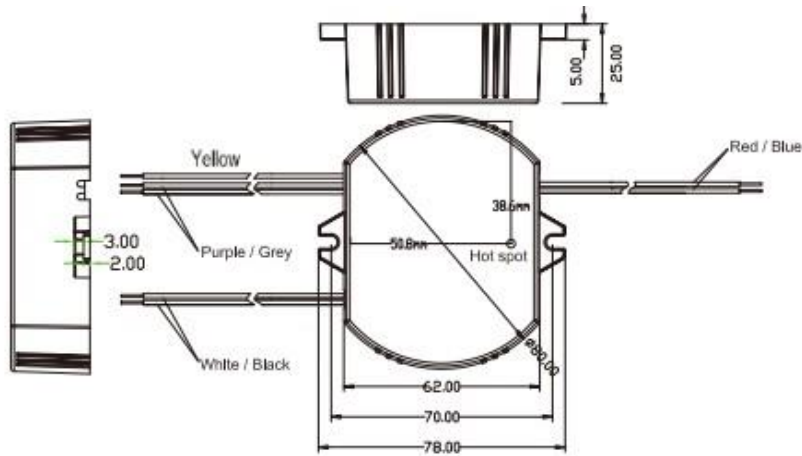
■ Power Factor vs Load



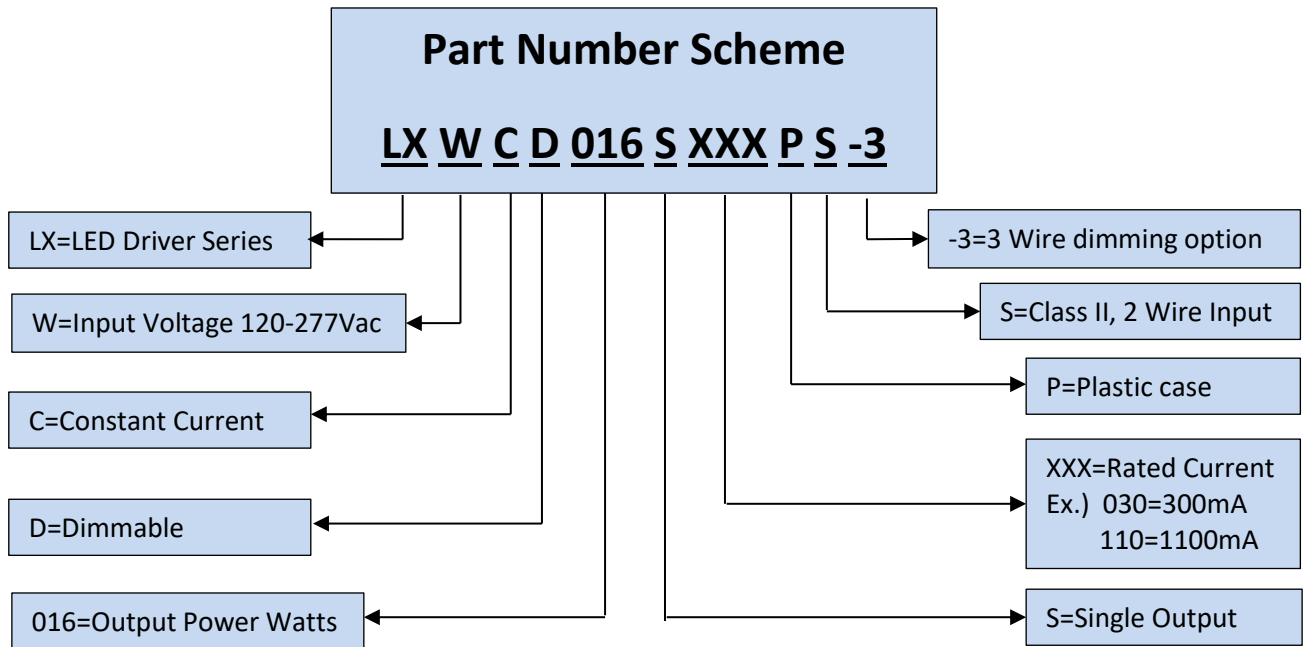
■ Efficiency vs Load



■ Wiring Diagram



Wire Specifications	
Input	12", UL 1316 #18AWG (Black and White)
Output	12", UL 1316 #18AWG (With Non-Class 2 output)
Output	12", UL 1316/1430 #22AWG (With Class 2 Output) (Red and Blue)
Dimming	12", UL 1316/1430 #22AWG (Purple and Grey), Auxiliary power: 12Vdc, 20mA max (Yellow)



*Product images are for illustrative purposes only and may vary from actual design.

*Specifications are subject to change without notice. Autec is not responsible for issues arising from errors or omissions.