

■ **Features**

- Power Rating: 14W
- Input Voltage: 120-277Vac ± 10%
- Constant current design
- Fixed output current(260mA-700mA)
- Efficiency to 82%
- Dimmable with 0-10V dimmer
- UL Class 2
- OVP, OCP, SCP
- IP20
- 5-year warranty



*Product images are for illustrative purposes only and may vary from actual design.

■ **Application**

- Indoor lights

■ **Model List***(See part number scheme for model number details)

Model Number	Input Voltage Range	Output Power	Output Voltage	Output Current Min.	Output Current Max.	Efficiency	Certification
LXWCD014S026WS-20	120~277Vac ± 10%	14W	27-54V	260mA	260mA	82% @120V 81% @240V 81% @277V	UL/-
LXWCD014S030WS-20	120~277Vac ± 10%	14W	23-47V	300mA	300mA	82% @120V 81% @240V 81% @277V	UL/cUL
LXWCD014S035WS-20	120~277Vac ± 10%	14W	20-40V	350mA	350Ma	82% @120V 81% @240V 81% @277V	UL/cUL
LXWCD014S038WS-20	120~277Vac ± 10%	14W	18-36V	380mA	380mA	82% @120V 81% @240V 81% @277V	UL/cUL
LXWCD014S040WS-20	120~277Vac ± 10%	14W	18-35V	400mA	400mA	82% @120V 81% @240V 81% @277V	UL/cUL
LXWCD014S045WS-20	120~277Vac ± 10%	14W	15-30V	450mA	450mA	82% @120V 81% @240V 81% @277V	UL/cUL
LXWCD014S050WS-20	120~277Vac ± 10%	14W	14-28V	500mA	500mA	82% @120V 81% @240V 81% @277V	UL/cUL
LXWCD014S060WS-20	120~277Vac ± 10%	14W	12-24V	600mA	600mA	82% @120V 81% @240V 81% @277V	UL/cUL

■ Model List(Cont.)

Model Number	Input Voltage Range	Output Power	Output Voltage	Output Current Min.	Output Current Max.	Efficiency	Certification
LXWCD014S070WS-20	120~277Vac ± 10%	14W	12-20V	700mA	700mA	82% @120V 81% @240V 81% @277V	UL/cUL

■ Technical Data

Input voltage range	120~277Vac ± 10%
Frequency	50/60Hz
Power factor	> 0.9 under 120~277Vac input with 80~100% load condition (for all output currents)
Inrush current	7A @120V
Max input current	1.15A @120V, 0.09A @240V and 0.08A @277V
THD	< 20% under 120~277Vac input with 80~100% load condition (for all output currents)
Load Regulation	± 2%
Line Regulation	± 1%
Current Tolerance	± 5% at full load condition
Turn-on Delay Time	< 0.75s at full load condition
Overshoot	< 10% at full load condition
No Load Power Consumption	< 1W
Ripple & Noise (pk-pk)	< 10%
Withstand voltage	Input to output, 2,800Vdc, 2mA
Leakage current	Maximum 0.5mA at 277Vac, 60Hz input
Protection	Over voltage protection: Hiccup mode. Protection will trigger when load voltage exceeds specified output voltage and will auto recover after the fault mode is removed. Over current protection: Hiccup mode. Protection will trigger when load current exceeds specified output current and will auto recover after the fault mode is removed. Short circuit protection: Hiccup mode. Protection will trigger when short circuit and will auto recover after the fault mode is removed.
Operating temperature	-40 to 60°C
Storage temperature	-40 to 85°C

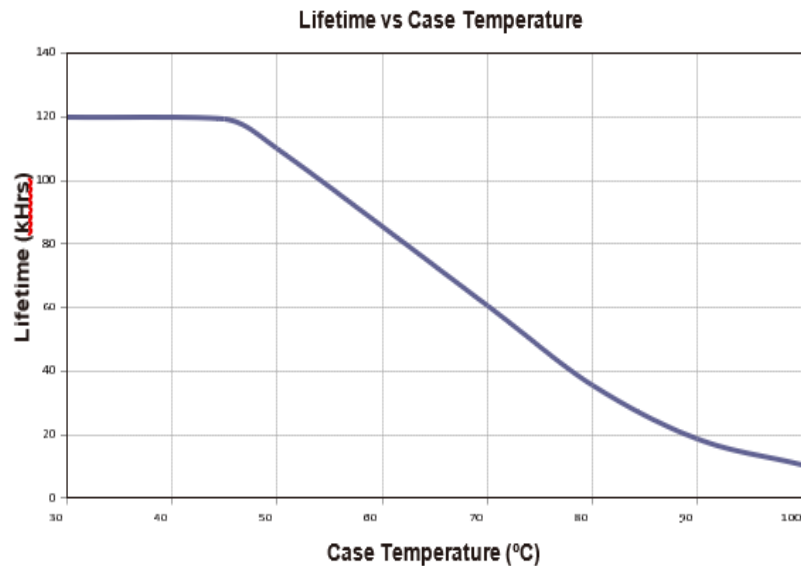
■ Technical Data

Humidity	5% to 95%
MTBF	510,000 hours at 40°C ambient (~70°C case temp)
Life rating	85,000 hours at 120Vac input, 100% load and 60°C case temperature
Maximum case Temperature	90°C
Length (L)	6.46" (164mm)
Width (W)	1.37" (34.7mm)
Height (H)	1.00" (25.4mm)
Mounting (M)	6.00" (152.4mm)
Packing	0.23kg/unit; 50pcs/carton; 2,000pcs/pallet

■ Safety Compliance

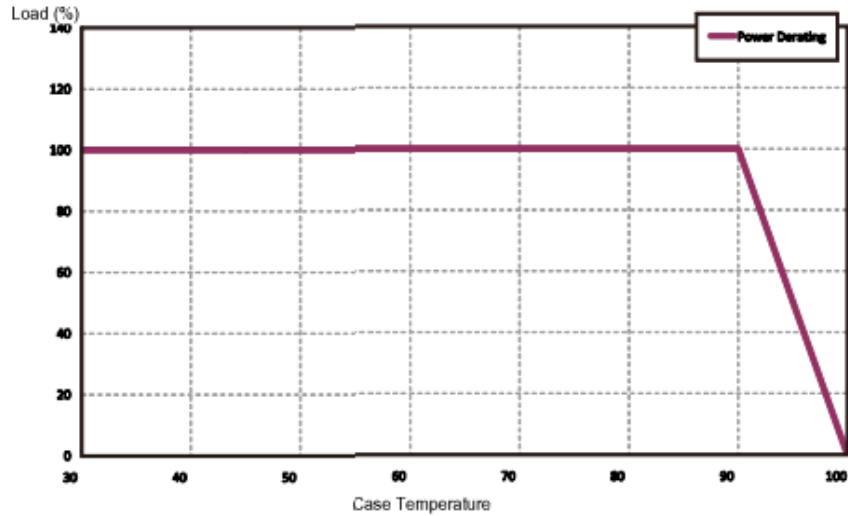
UL/cUL	UL 8750
CE	EN61347-1, EN61347-2-13
FCC, 47CFR Part 15	ANSI C63.4:2009 Class B (Consumer Limit)
EN61000-3-2	Harmonic Current Emissions Class C

■ Lifetime vs Case Temperature

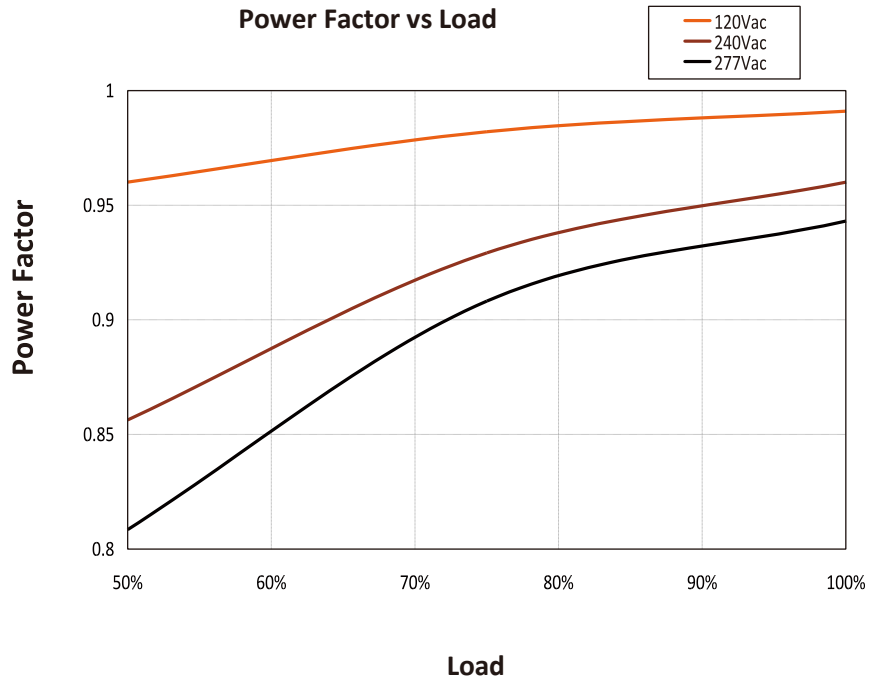


Technical Sales / Customer Service: +1-818-338-7788 • Email: sales@autec.com
 31328 Via Colinas Suite 102 • Westlake Village, CA 91362 USA • www.autec.com

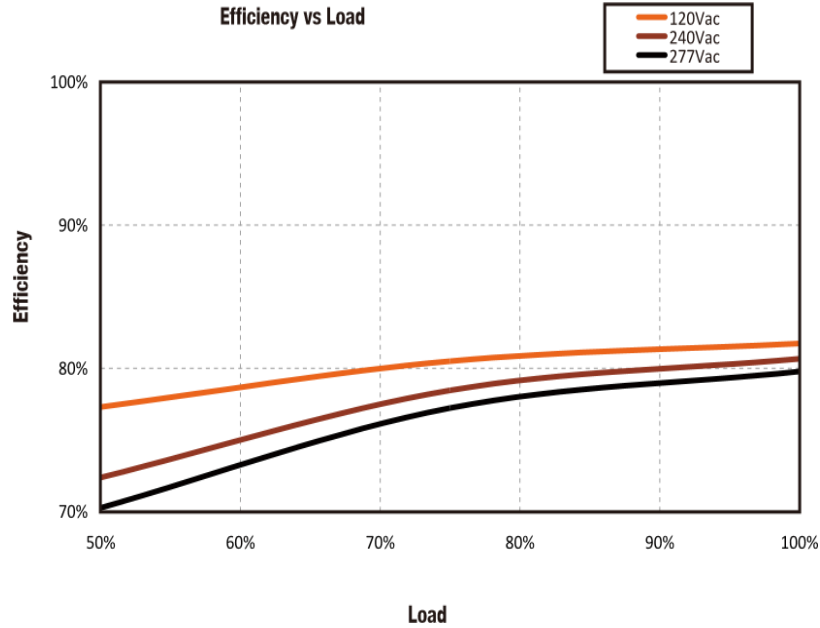
■ Power Derating vs Case Temperature



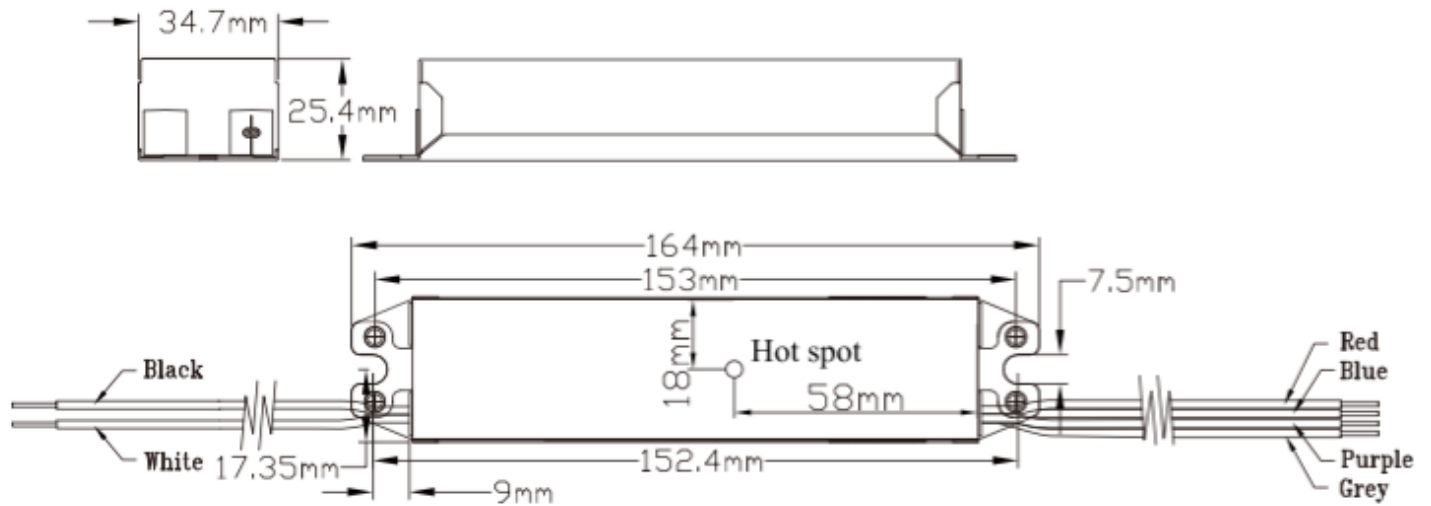
■ Power Factor vs Load LXWCD014S070WS-20



■ **Efficiency vs Load** LXWCD014S070WS-20

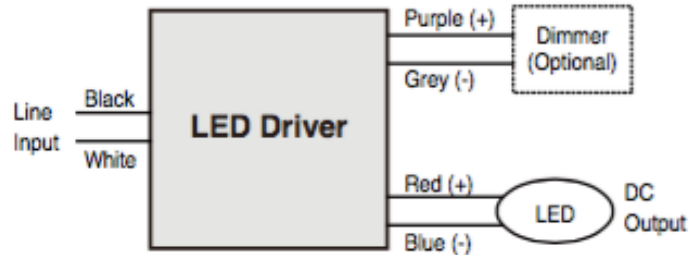


■ **Wiring Diagram**

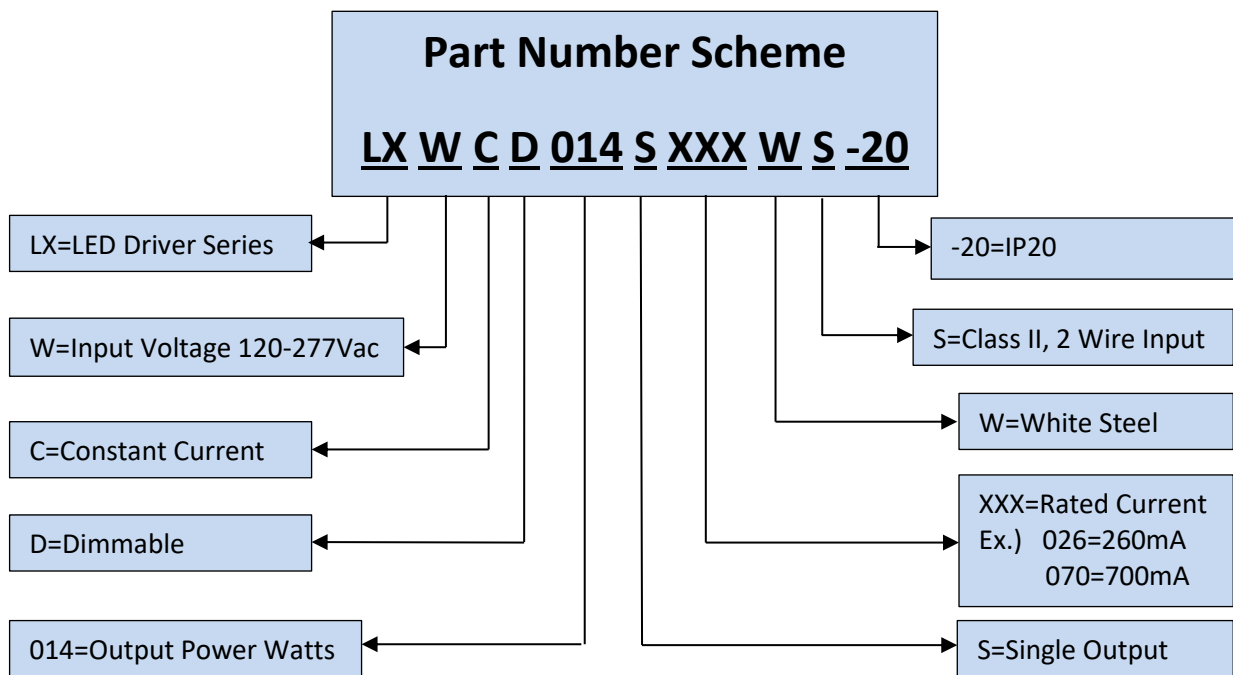


Technical Sales / Customer Service: +1-818-338-7788 • Email: sales@autec.com
31328 Via Colinas Suite 102 • Westlake Village, CA 91362 USA • www.autec.com

■ **Wiring Diagram(cont.)**



Wire Specifications	
Input	12", UL 1316 #18AWG (Black and White)
Output	12", UL 1569 #18AWG (with Non-Class 2 output)
Output	12", UL 1430 #22AWG (with Class 2 output) (Red and Blue)
Dimming	12", UL 1569/1430 #22AWG (Purple and Grey)



*Product images are for illustrative purposes only and may vary from actual design.

*Specifications are subject to change without notice. Autech is not responsible for issues arising from errors or omissions.