

■ Features

- Power Rating: 50W
- Input Voltage: 120-277Vac ± 10%
- Constant current design
- Fixed output current(920mA-1400mA)
- Efficiency to 85%
- UL Class 2
- OVP, OCP, and SCP
- 5-year warranty
- IP20



\*Product images are for illustrative purposes only and may vary from actual design.

■ Application

- Indoor or outdoor lights

■ Model List\*(See part number scheme for model number details)

Model Number	Input Voltage Range	Output Power	Output Voltage	Output Current Min.	Output Current Max.	Efficiency	Certification
LXWC-050S092SS-20	120-277Vac ± 10%	50W	27-54V	920mA	920mA	84%@120V 85%@240V 85%@277V	UL/-
LXWC-050S100SS-20	120-277Vac ± 10%	50W	25-50V	1000mA	1000mA	84%@120V 85%@240V 85%@277V	UL/-
LXWC-050S110SS-20	120-277Vac ± 10%	50W	23-45V	1100mA	1100mA	84%@120V 85%@240V 85%@277V	UL/-
LXWC-050S120SS-20	120-277Vac ± 10%	50W	21-42V	1200mA	1200mA	84%@120V 85%@240V 85%@277V	UL/cUL
LXWC-050S130SS-20	120-277Vac ± 10%	50W	19-38V	1300mA	1300mA	84%@120V 85%@240V 85%@277V	UL/cUL
LXWC-050S140SS-20	120-277Vac ± 10%	50W	18-36V	1400mA	1400mA	84%@120V 85%@240V 85%@277V	UL/cUL

■ **Technical Data**

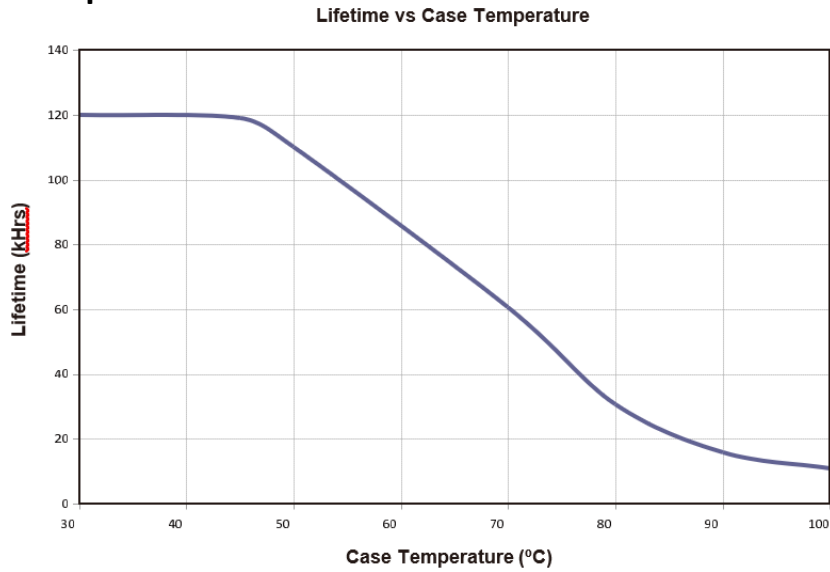
Input voltage range	120~277Vac ± 10%
Frequency	50/60Hz
Power factor	> 0.9 under 120~277Vac input with 80~100% load condition (for all output currents)
Inrush current	30A @230V
Max input current	0.54A @120V, 0.27A@ 240V, 0.23A @277V
THD	< 20% under 120~277Vac input with 80~100% load condition (for all output currents)
Load Regulation	±2%
Line Regulation	±1%
Voltage Tolerance	±5% at full load condition
Turn-on delay time	<0.75s at full load condition
Overshoot	<10% at full load condition
No Load Power Consumption	<2W
Ripple and Noise (pk-pk)	<3%
Withstand voltage	Input to output, 2,800Vdc, 2mA
Leakage current	Maximum 0.5mA at 277Vac, 60hz input
Protection	Over voltage protection: Hiccup mode. Protection will trigger when load voltage exceeds specified output voltage and will auto recover after the fault mode is removed. Over current protection: Hiccup mode. Protection will trigger when load current exceeds specified output current and will auto recover after the fault mode is removed. Short circuit protection: Hiccup mode. Protection will trigger when short circuit and will auto recover after the fault mode is removed.
Operating temperature	-40 to 60°C
Storage temperature	-40 to 85°C
Humidity	5% to 95%
MTBF	299,000 hours at 40°C ambient (~70°C case temp)
Life rating	85,000 hours at 120Va input, 100% load and 60°C case temperature
Maximum case Temperature	90°C
Length (L)	5.00" (127mm)
Width (W)	3.00" (76.2mm)
Height (H)	1.38" (35mm)
Mounting (M)	4.63" (117.6mm)
Weight	0.58Kg
Packing	0.58kg/unit; 30pcs/carton; 1,200pcs/pallet

**Technical Sales / Customer Service:** +1-818-338-7788 • Email: [sales@autec.com](mailto:sales@autec.com)  
31328 Via Colinas Suite 102 • Westlake Village, CA 91362 USA • [www.autec.com](http://www.autec.com)

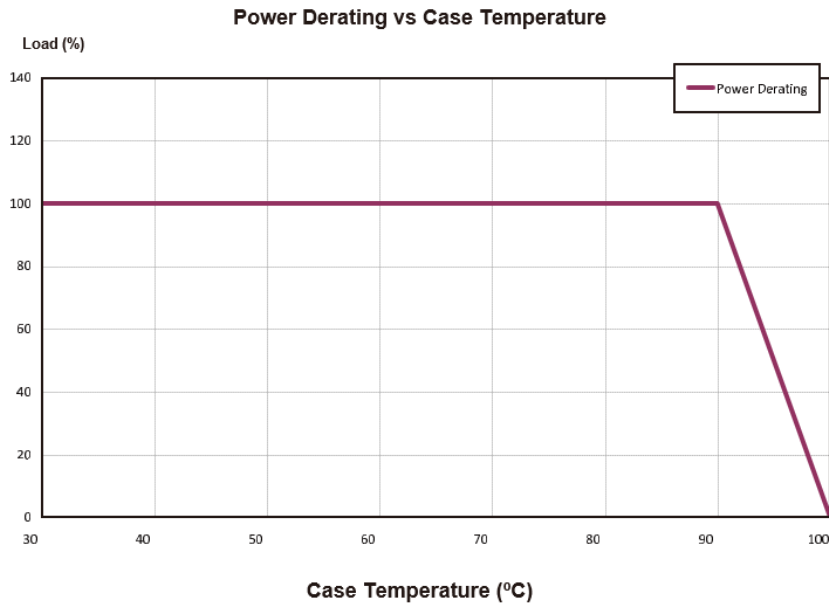
■ **Safety Compliance**

UL/cUL	UL 8750
CE	EN61347-1, EN61347-2-13
FCC, 47CFR Part 15	ANSI C63.4:2009 Class B (Consumer Limit)
EN61000-3-2	Harmonic Current Emissions Class C

■ **Lifetime vs Case Temperature**

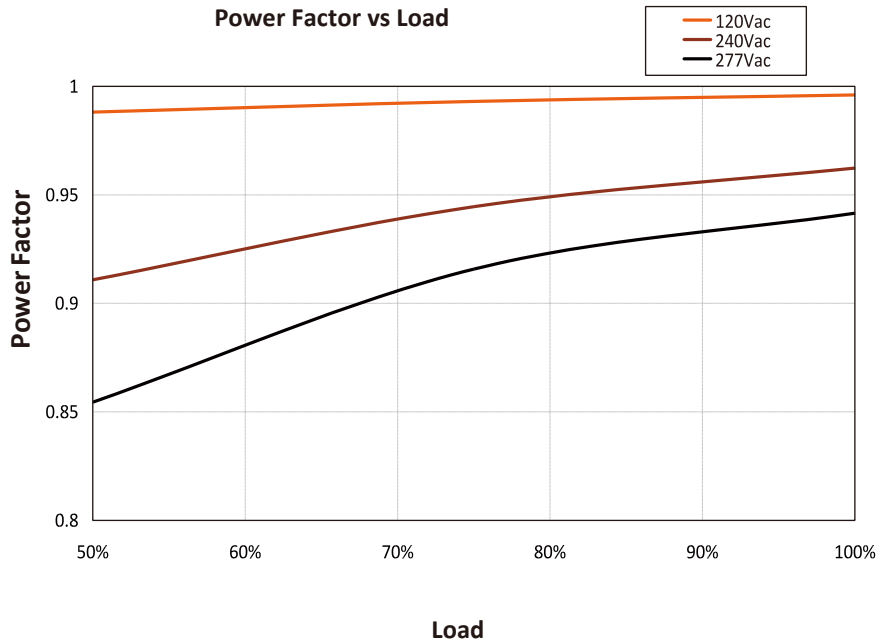


■ **Power Derating vs Case Temperature**

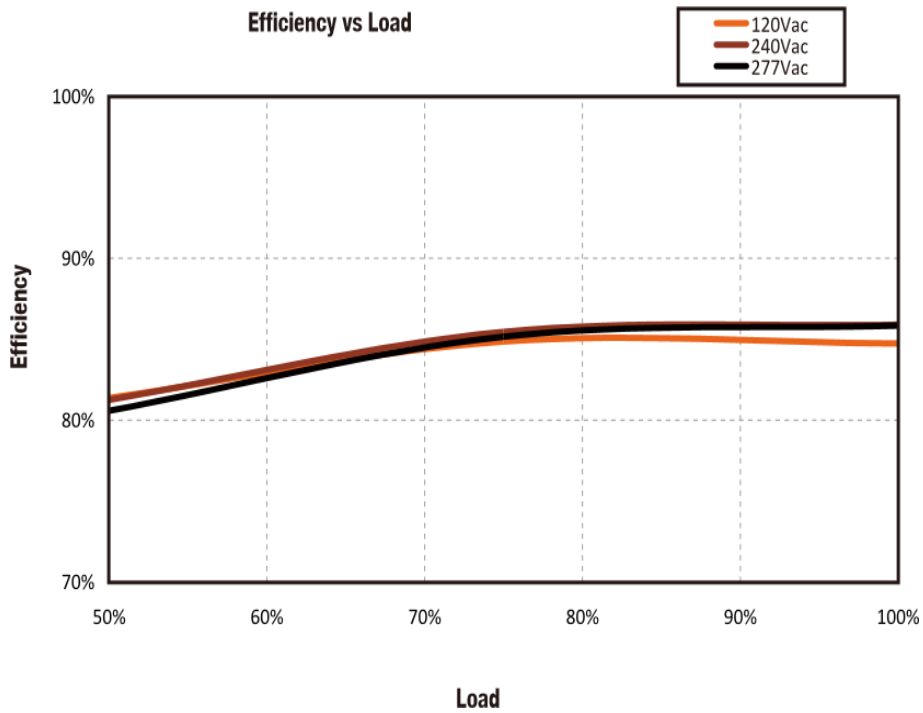


**Technical Sales / Customer Service:** +1-818-338-7788 • Email: [sales@autec.com](mailto:sales@autec.com)  
31328 Via Colinas Suite 102 • Westlake Village, CA 91362 USA • [www.autec.com](http://www.autec.com)

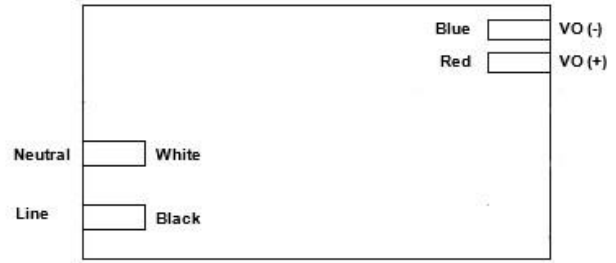
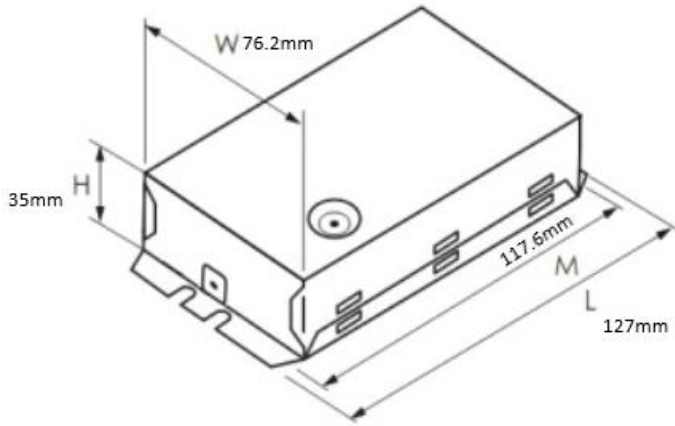
■ **Power Factor vs Load** LXWC-050S140SS-20



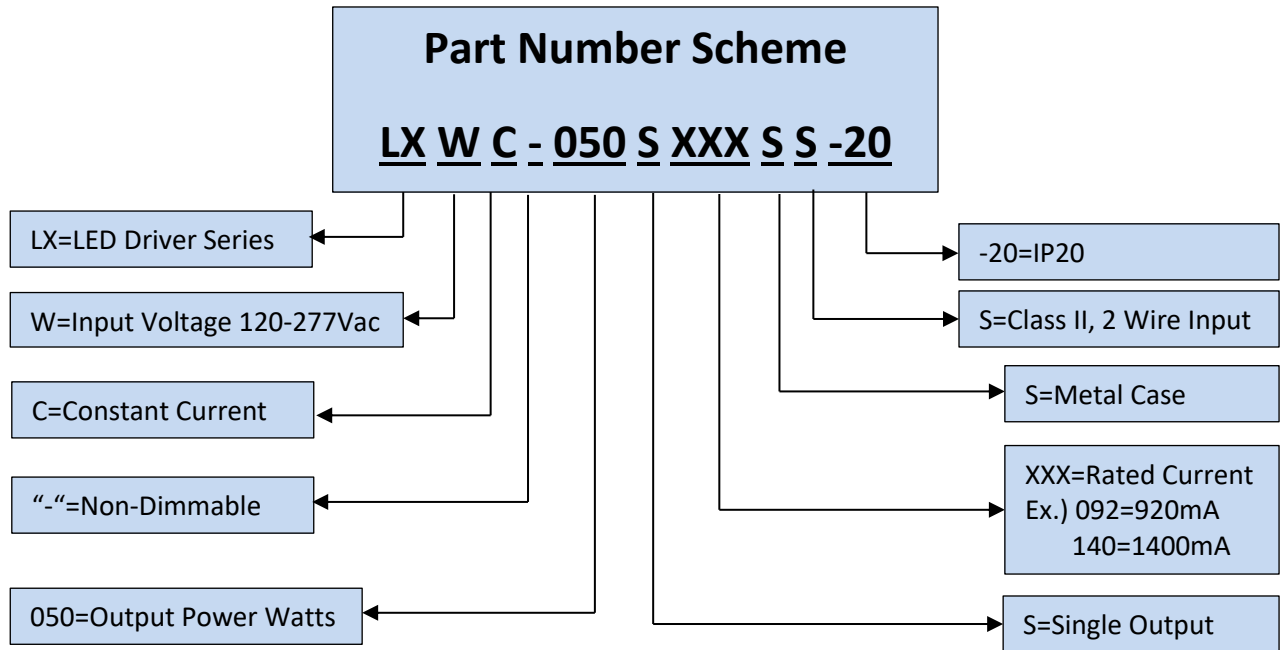
■ **Efficiency vs Load** LXWC-050S140SS-20



■ **Wiring Diagram**



Wire specifications	
Input	Terminal Block: (Black and White)
Output	Terminal Block: VO(+)(RED) and VO(-)(BLUE)



\*Product images are for illustrative purposes only and may vary from actual design.

\*Specifications are subject to change without notice. Autec is not responsible for issues arising from errors or omissions.

Technical Sales / Customer Service: +1-818-338-7788 • Email: [sales@autec.com](mailto:sales@autec.com)  
 31328 Via Colinas Suite 102 • Westlake Village, CA 91362 USA • [www.autec.com](http://www.autec.com)