

■ Features

- Power Rating: 30W
- Input Voltage: 120-277Vac
- Constant current design
- Output currents (350mA-1800mA)
- Fixed output current
- Efficiency up to 86%
- UL Class 2 Output
- OVP, SCP, & Open Circuit Protection
- IP20
- 5-year warranty



*Product images are for illustrative purposes only and may vary from actual design.

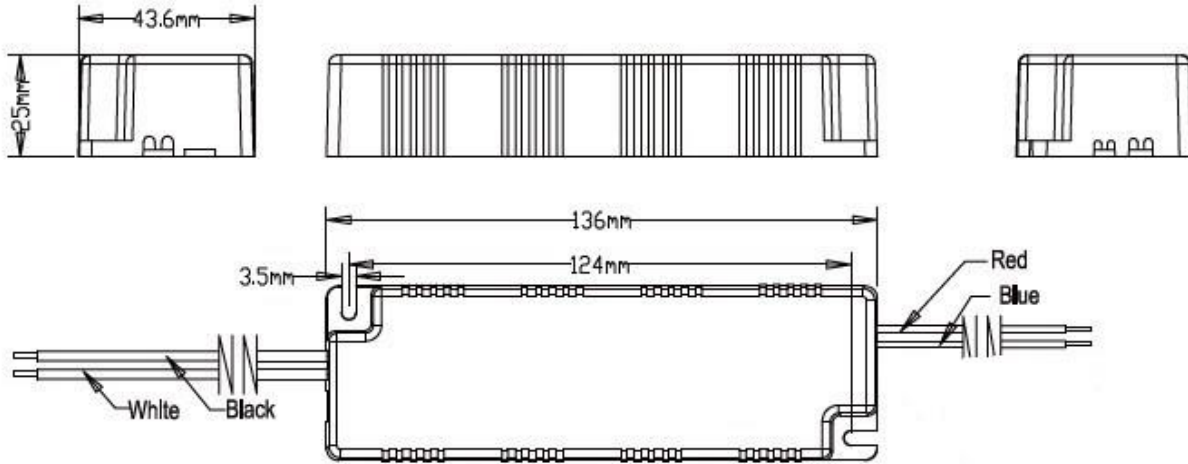
■ Application

- Dry and Damp Locations

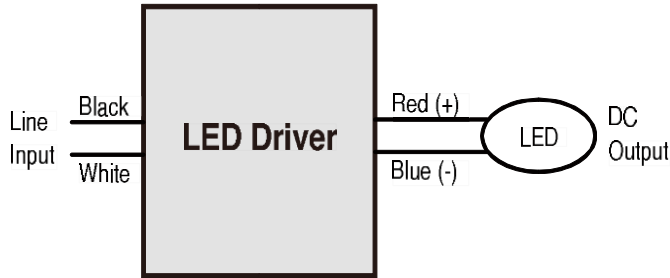
■ Model List *(See part number scheme for model number details)

Model Number	Input Voltage Range	Output Power	Output Voltage	Output Current Min.	Output Current Max.	Efficiency	Certification
LXWC-030S035SS-20	120~277Vac ± 10%	30W	28-85V	350mA	350mA	86% @120V	UL/cUL
LXWC-030S040SS-20	120~277Vac ± 10%	30W	25-75V	400mA	400mA	86% @120V	UL/cUL
LXWC-030S045SS-20	120~277Vac ± 10%	30W	22-67V	450mA	450mA	86% @120V	UL/cUL
LXWC-030S050SS-20	120~277Vac ± 10%	30W	20-60V	500mA	v500mA	85% @120V	UL/cUL
LXWC-030S060SS-20	120~277Vac ± 10%	30W	17-50V	600mA	600mA	85% @120V	UL/cUL
LXWC-030S070SS-20	120~277Vac ± 10%	30W	14-43V	700mA	700mA	85% @120V	UL/cUL
LXWC-030S080SS-20	120~277Vac ± 10%	30W	13-38V	800mA	800mA	85% @120V	UL/cUL
LXWC-030S090SS-20	120~277Vac ± 10%	30W	11-33V	900mA	900mA	85% @120V	UL/cUL
LXWC-030S100SS-20	120~277Vac ± 10%	30W	10-30V	1000mA	1000mA	84% @120V	UL/cUL
LXWC-030S110SS-20	120~277Vac ± 10%	30W	9-27V	1100mA	1100mA	84% @120V	UL/cUL
LXWC-030S120SS-20	120~277Vac ± 10%	30W	8-25V	1200mA	1200mA	84% @120V	UL/cUL
LXWC-030S130SS-20	120~277Vac ± 10%	30W	8-23V	1300mA	1300mA	84% @120V	UL/cUL
LXWC-030S140SS-20	120~277Vac ± 10%	30W	7-21V	1400mA	1400mA	84% @120V	UL/cUL
LXWC-030S150SS-20	120~277Vac ± 10%	30W	7-20V	1500mA	1500mA	84% @120V	UL/cUL
LXWC-030S160SS-20	120~277Vac ± 10%	30W	6-19V	1600mA	1600mA	84% @120V	UL/cUL
LXWC-030S170SS-20	120~277Vac ± 10%	30W	6-18V	1700mA	1700mA	84% @120V	UL/cUL
LXWC-030S180SS-20	120~277Vac ± 10%	30W	6-17V	1800mA	1800mA	84% @120V	UL/cUL

■ **Wiring Diagram**



- Input Wire: 12" UL 1316 #18AWG (Black and White)
- Output Wire: 12" UL 1316 #18AWG (With Non-Class 2 Output)
- Output Wire: 12" UL 1316/1430 #22AWG(With Class 2 Output) (Red and Blue)



■ **Technical Data**

Input voltage range	120~277Vac ± 10%
Frequency	50/60Hz
Power factor	>0.9 @ 80~100 load, 120~277VAC for all models
Inrush current	TBD
Max input current	0.33A @120V, 0.19A @240V, 0.16 @277V
THD	< 20% under 120~277Vac input with 80~100% load condition
Load Regulation	± 2%
Line Regulation	± 1%
Current Tolerance	± 5% at full load condition
Turn-on Delay Time	< 0.75s at full load condition

Technical Sales / Customer Service: +1-818-338-7788 • Email: sales@autec.com
 31328 Via Colinas Suite 102 • Westlake Village, CA 91362 USA • www.autec.com

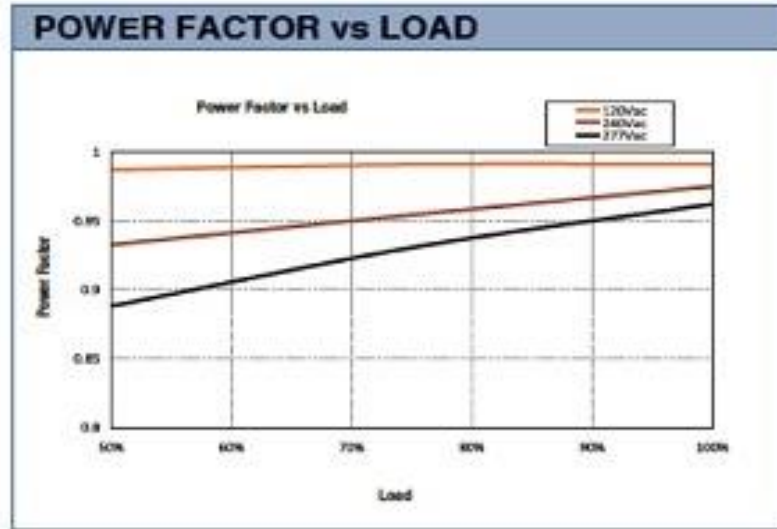
■ **Technical Data(cont.)**

Overshoot	< 10% at full load condition
No Load Power Consumption	< 1W
Ripple & Noise (pk-pk)	< 10%
Withstand voltage	Input to output, 4,000Vdc, 2mA
Leakage current	TBD
Protection:	<p>Over voltage protection: Hiccup mode. Protection will trigger when load voltage exceeds specified output voltage and will auto recover after the fault mode is removed.</p> <p>Over current protection: Hiccup mode. Protection will trigger when load current exceeds specified output current and will auto recover after the fault mode is removed.</p> <p>Short circuit protection: Hiccup mode. Protection will trigger when short circuit and will auto recover after the fault mode is removed.</p>
Operating temperature	-30 to 60°C
Storage temperature	-40 to 85°C
Humidity	5% to 95%
MTBF	TBD
Life rating	TBD
Maximum case Temperature	90°C
Length (L)	5.37" (135.89mm)
Width (W)	1.72" (43.69mm)
Height (H)	0.99" (25.14mm)
Mounting (M)	4.88" (123.9mm)
Packing	TBD

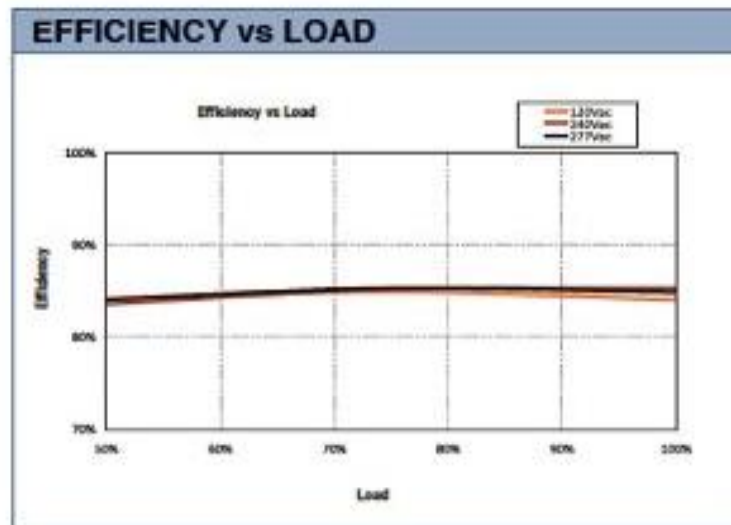
■ **Safety Compliance**

UL/cUL	UL 8750
CE	EN61347-1, EN61347-2-13
FCC, 47CFR Part 15	ANSI C63.4:2009 Class B (Consumer Limit)
EN61000-3-2	Harmonic Current Emissions Class C

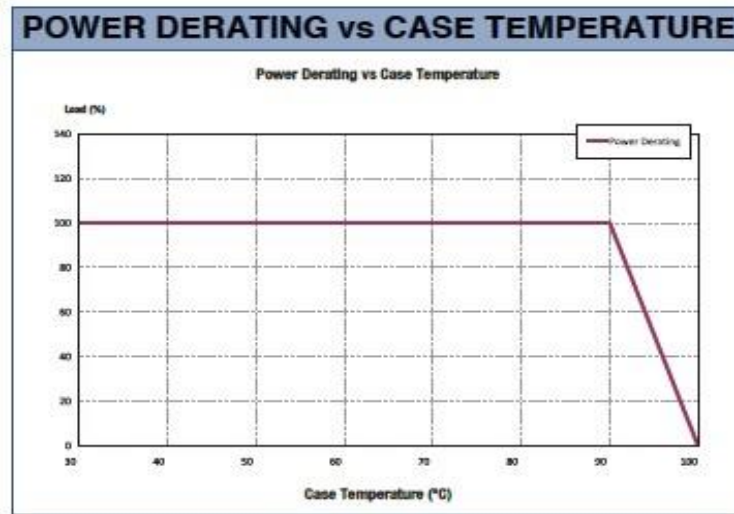
■ Power Factor vs Load



■ Efficiency vs Load

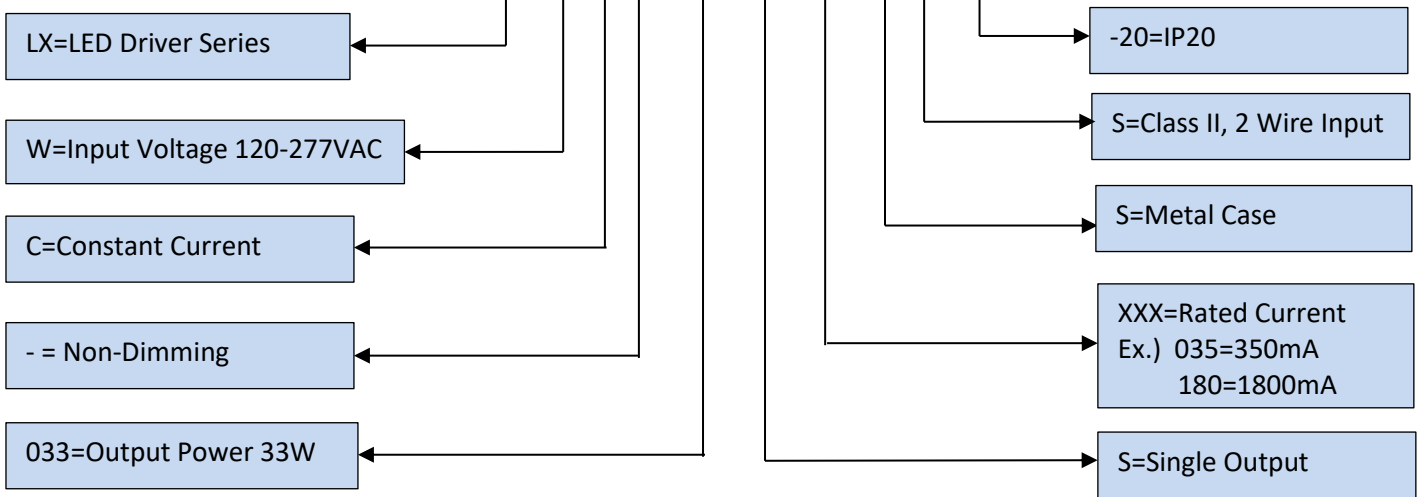


■ Power Derating vs Case Temperature



Part Number Scheme

LX W C - 030 S XXX S S -20



*Product images are for illustrative purposes only and may vary from actual design.

*Specifications are subject to change without notice. Autec is not Responsible for issues arising from errors or omissions.