

■ **Features**

- Power Rating: 10W
- Input Voltage: 120Vac ± 10%
- Constant voltage design
- Output current(0mA-830mA)
- Efficiency up to 83%
- UL Class 2
- OCP, OVP, SCP
- IP20
- 5-year warranty
- Sign Components Manual (SAM)



\*Product images are for illustrative purposes only and may vary from actual design.

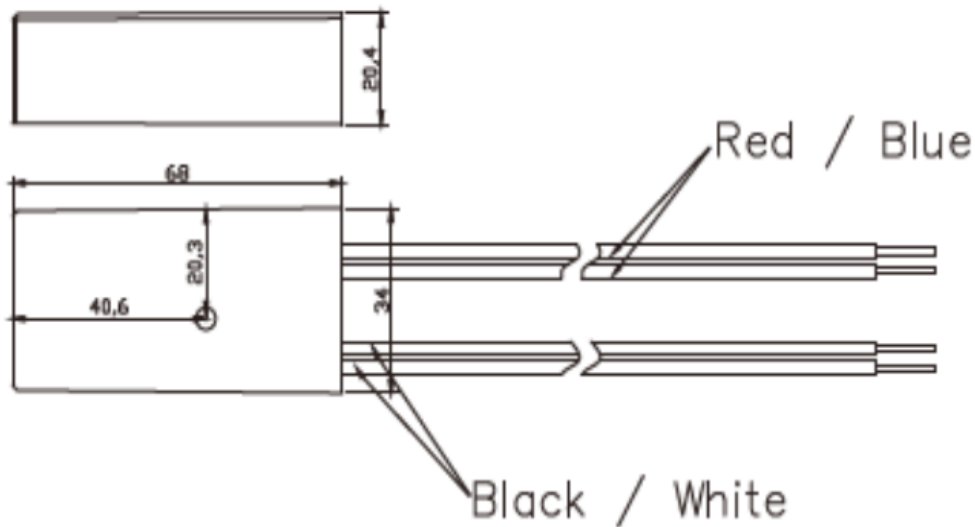
■ **Application**

- Indoor lights

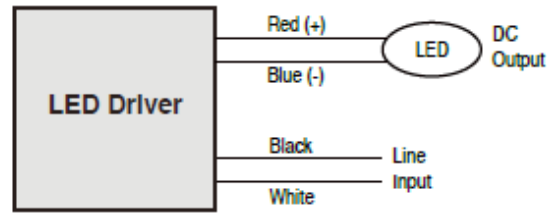
■ **Model List**\*(See part number scheme for model number details)

Model Number	Input Voltage Range	Output Power	Output Voltage	Output Current Min.	Output Current Max.	Efficiency	Certification
LXLV-010S012PS-20	120Vac ± 10%	10W	12V	0mA	830mA	81% @120V	UL/CUL
LXLV-010S024PS-20	120Vac ± 10%	10W	24V	0mA	420mA	83% @120V	UL/CUL

■ **Wiring Diagram**



■ **Wiring Diagram(Cont.)**



Input: 12", UL 1569 #18AWG (White, Black)  
Output: 12", UL 1430 #22AWG (Red and Blue)

■ **Technical Data**

Input voltage range	120Vac $\pm$ 10%
Frequency	50/60Hz
Power factor	>0.5 @ full load, 120 through 277V
Inrush current	7A @120V
Max input current	0.19A @ 120V
THD	<200%
Load Regulation	$\pm$ 2%
Line Regulation	$\pm$ 1%
Current Tolerance	$\pm$ 5% at full load condition
Overshoot	< 10% at full load condition
No Load Power Consumption	<1W
Ripple & Noise (pk-pk)	<10%
Withstand voltage	I/P – O/P 2800 Vdc, 2mA
Leakage current	0.5mA max. @ 120Vac
Protection	Over voltage protection: Hiccup mode. Auto recover after the fault mode is removed. Over current protection: Hiccup mode. Auto recover after the fault mode is removed. Short circuit protection: Hiccup mode. Auto recover after the fault mode is removed.

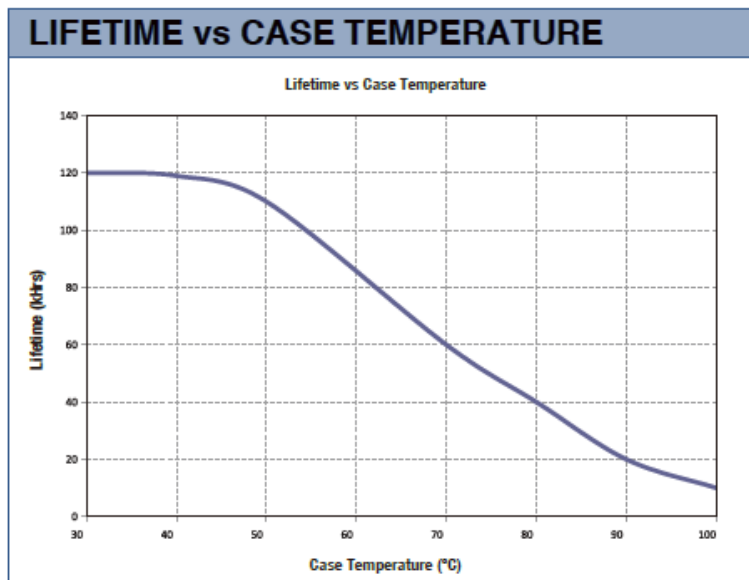
■ **Technical Data(Cont.)**

Operating temperature	-40 ~ 60°C
Storage temperature	-40 ~ 85°C
Humidity	5% ~ 95% RH
MTBF	583,000 hours at 40°C ambient (~70°C case temp)
Life rating	80,000 hours at 120Vac input, 100% load and 60°C case temp
Maximum case Temperature	90°C
Length (L)	2.68" (68mm)
Width (W)	1.30" (33mm)
Height (H)	0.79" (20mm)

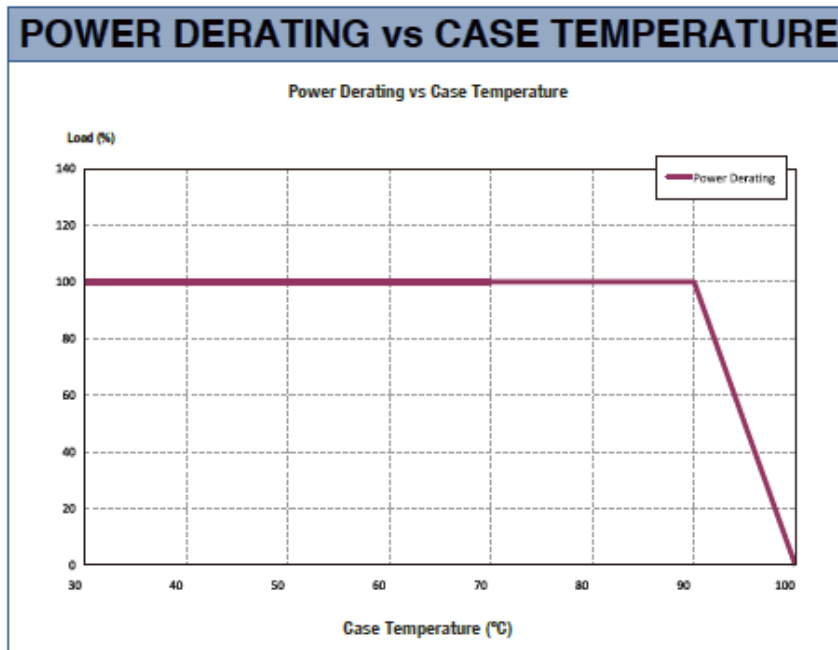
■ **Safety Compliance**

UL/cUL	UL 8750 pending
EMC Immunity	ENC61000-3-2, FCC, 47CFR Part 15 Class B (Consumer limit)

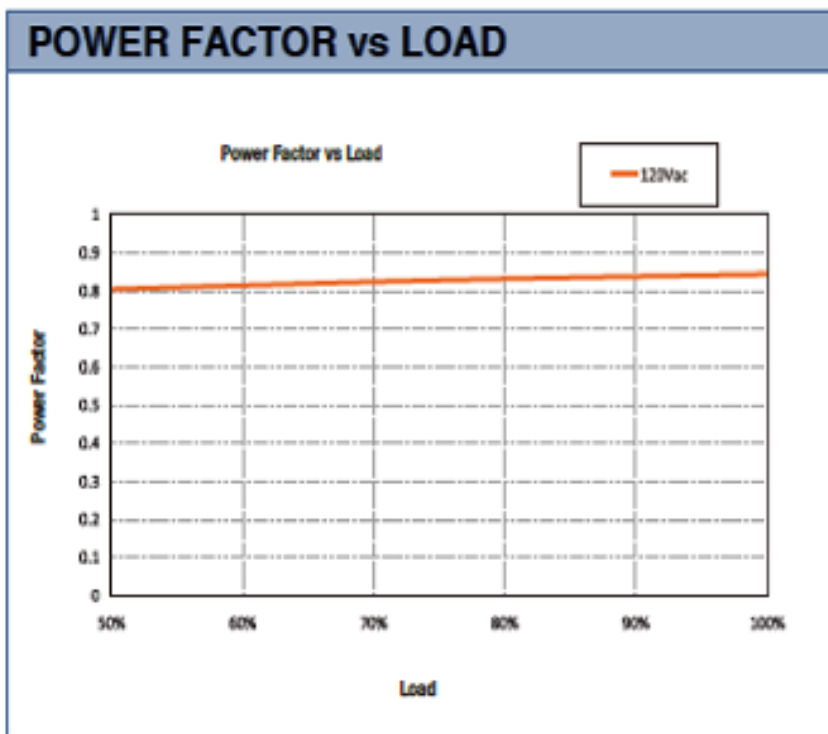
■ **Lifetime vs Case Temperature Curve**



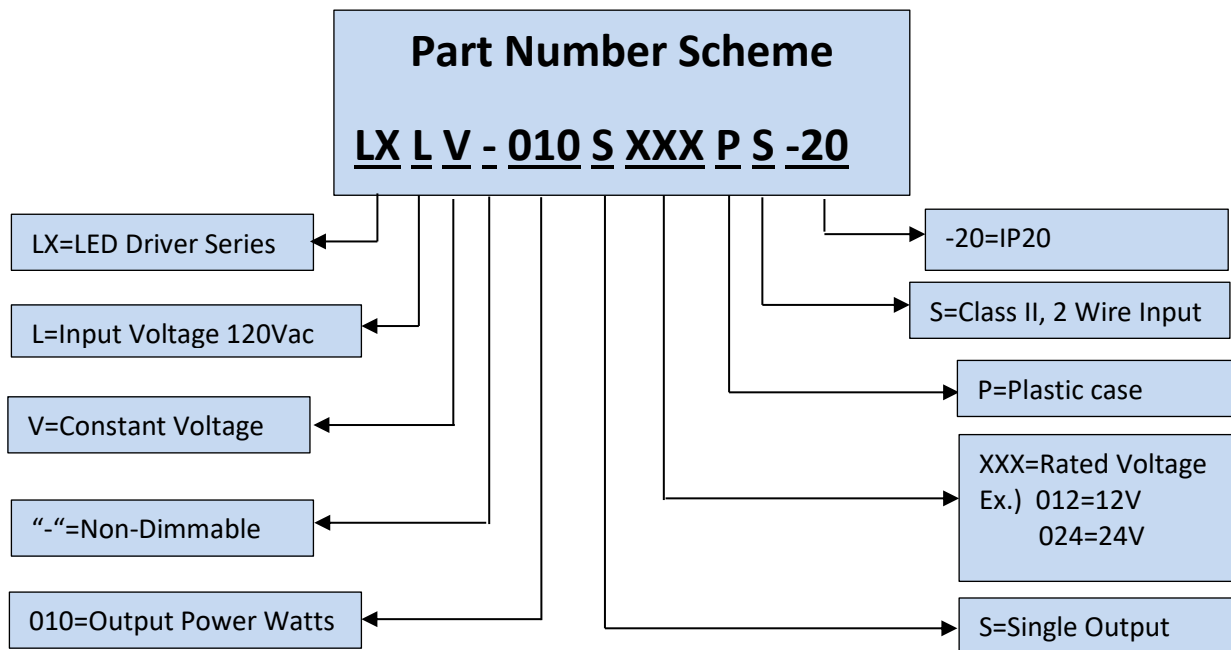
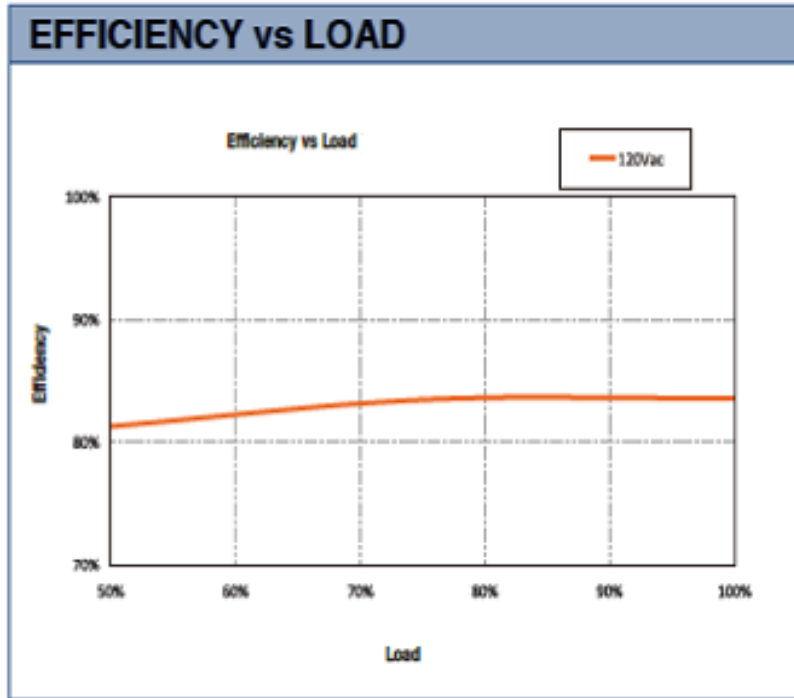
■ Power Derating vs Case Temperature



■ Power Factor vs Load



■ Efficiency vs Load



\*Product images are for illustrative purposes only and may vary from actual design.

\*Specifications are subject to change without notice. Autec is not responsible for issues arising from errors or omissions.