

**RoHS
Compliant**

■ Features

- Power Rating: 60W
- Input Voltage: 120Vac
- Constant current design
- Output currents (900mA-2500mA)
- Fixed output current
- Efficiency up to 86%
- Triac dimming option with trailing edge dimmer
- UL Class 2 Output
- OVP, SCP, & Open Circuit Protection
- IP20 or IP60
- 5-year warranty



*Product images are for illustrative purposes only and may vary from actual design.

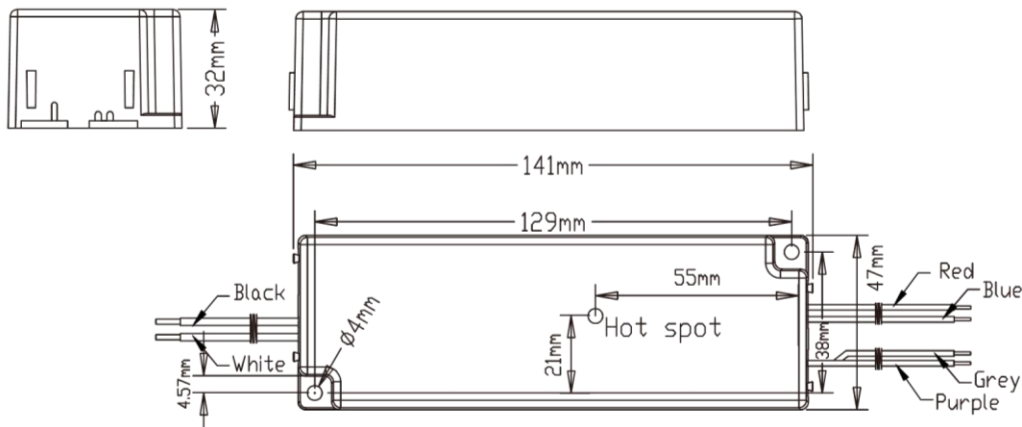
■ Application

- Indoor and outdoor lights

■ Model List*(See part number scheme for model number details)

Model Number	Input Voltage Range	Output Power	Output Voltage	Output Current Min.	Output Current Max.	Efficiency	Certification
LXLCT060S090PS	120Vac ± 10%	60W	22-67V	900mA	900mA	86%@240V	-
LXLCT060S250PS	120Vac ± 10%	60W	8-24V	2500mA	2500mA	83%@240V	UL/cUL

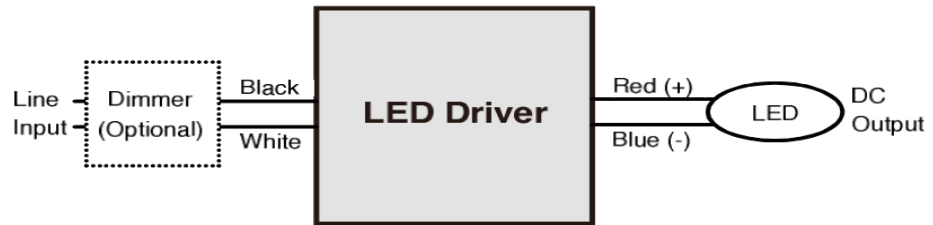
■ Wiring Diagram



Input Wire: 12" UL 1569 #18AWG (Black and White)
 Output Wire: 12" UL 1430#22AWG (Red and Blue)

Technical Sales / Customer Service: +1-818-338-7788 • Email: sales@autec.com
 31328 Via Colinas Suite 102 • Westlake Village, CA 91362 USA • www.autec.com

■ **Wiring Diagram(Cont.)**



■ **Technical Data**

Input voltage range	120Vac ± 10%
Frequency	60Hz
Power factor	> 0.9 under 120~277Vac input with 80~100% load condition (for all output currents)
Inrush current	20A @120V
Max input current	0.69A @120V
THD	< 20% under 120Vac input with 80~100% load condition (for all output currents)
Load Regulation	± 2%
Line Regulation	± 1%
Current Tolerance	± 5% at full load condition
Turn-on Delay Time	< 0.75s at full load condition
Overshoot	< 10% at full load condition
No Load Power Consumption	< 1W
Ripple & Noise (pk-pk)	< 10%
Withstand voltage	Input to output, 2,800Vdc, 2mA
Leakage current	Maximum 0.5mA at 120Vac, 60Hz input
Protection	Over voltage protection: Hiccup mode. Protection will trigger when load voltage exceeds specified output voltage and will auto recover after the fault mode is removed. Over current protection: Hiccup mode. Protection will trigger when load current exceeds specified output current and will auto recover after the fault mode is removed. Short circuit protection: Hiccup mode. Protection will trigger when short circuit and will auto recover after the fault mode is removed.
Operating Temperature	-40° to 60°C
Storage Temperature	-40° to 85°C

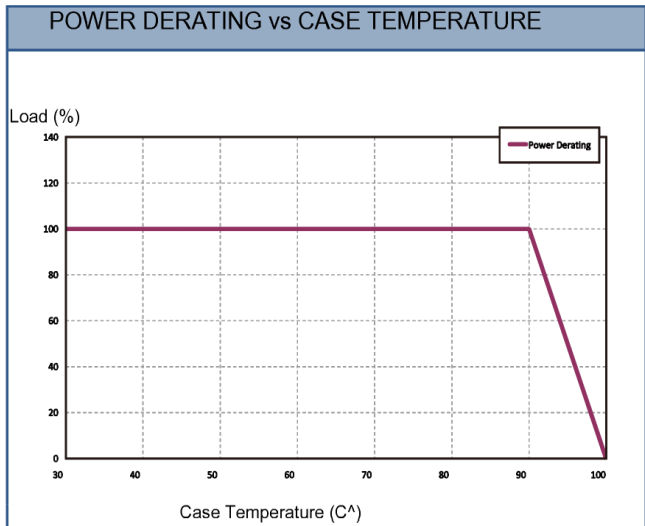
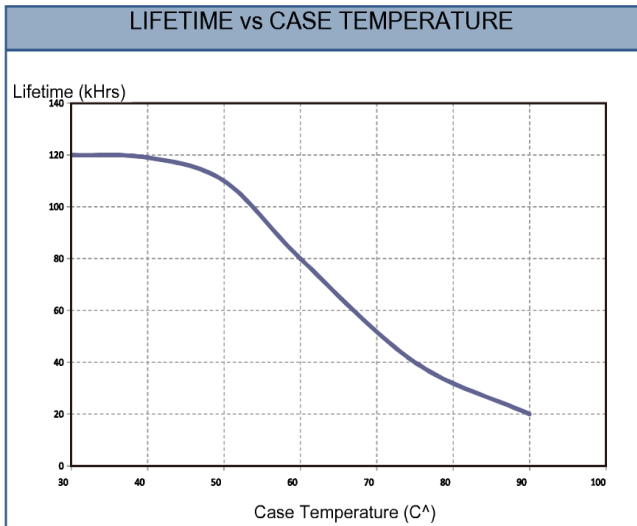
■ Technical Data(cont.)

Humidity:	5% to 95%
MTBF:	TBD
Life rating:	80,000 hours at 120Vac input, 100% load and 60°C case temperature
Maximum case Temperature	90°C
Length (L)	5.54" (141mm)
Width (W)	1.86" (47mm)
Height (H)	1.26" (32mm)
Mounting (M)	5.08" (129mm)
Packing	0.40kg; 40pcs/carton; 1,800/pallet

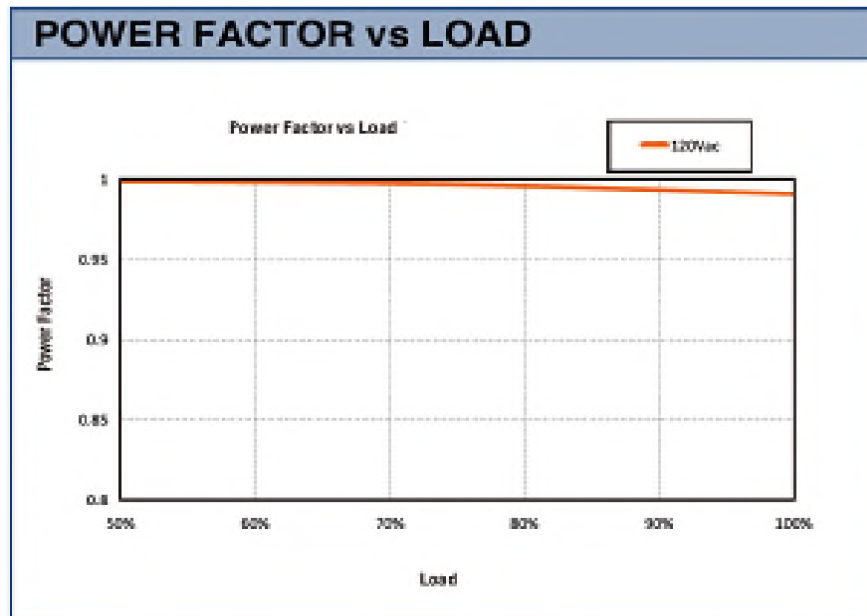
■ Safety Compliance

UL/cUL	UL 8750 pending
CE	EN61347-1, EN61347-2-13
FCC, 47CFR Part 15	ANSI C63.4:2009 Class B (Consumer Limit)
EN61000-3-2	Harmonic Current Emissions Class C

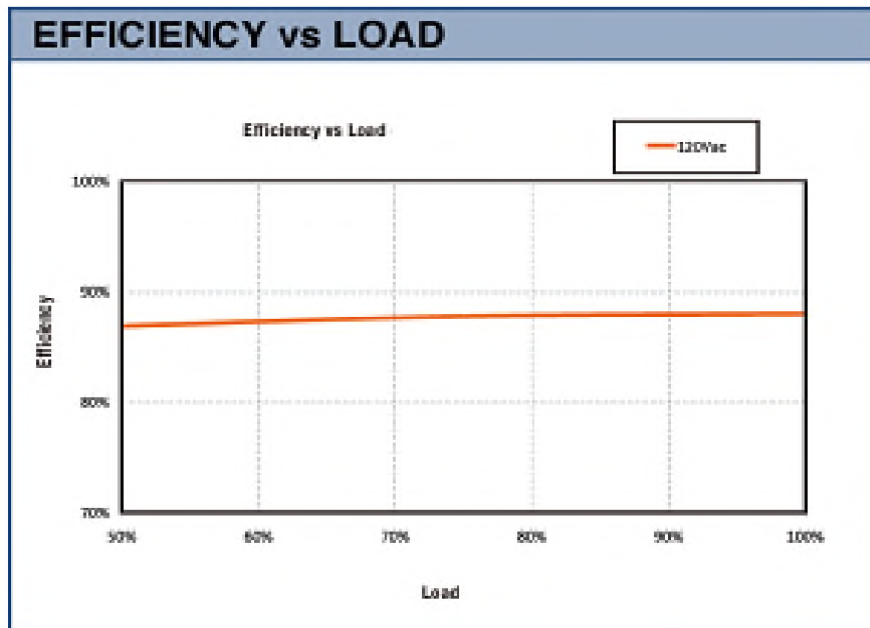
■ Lifetime/Case Temp

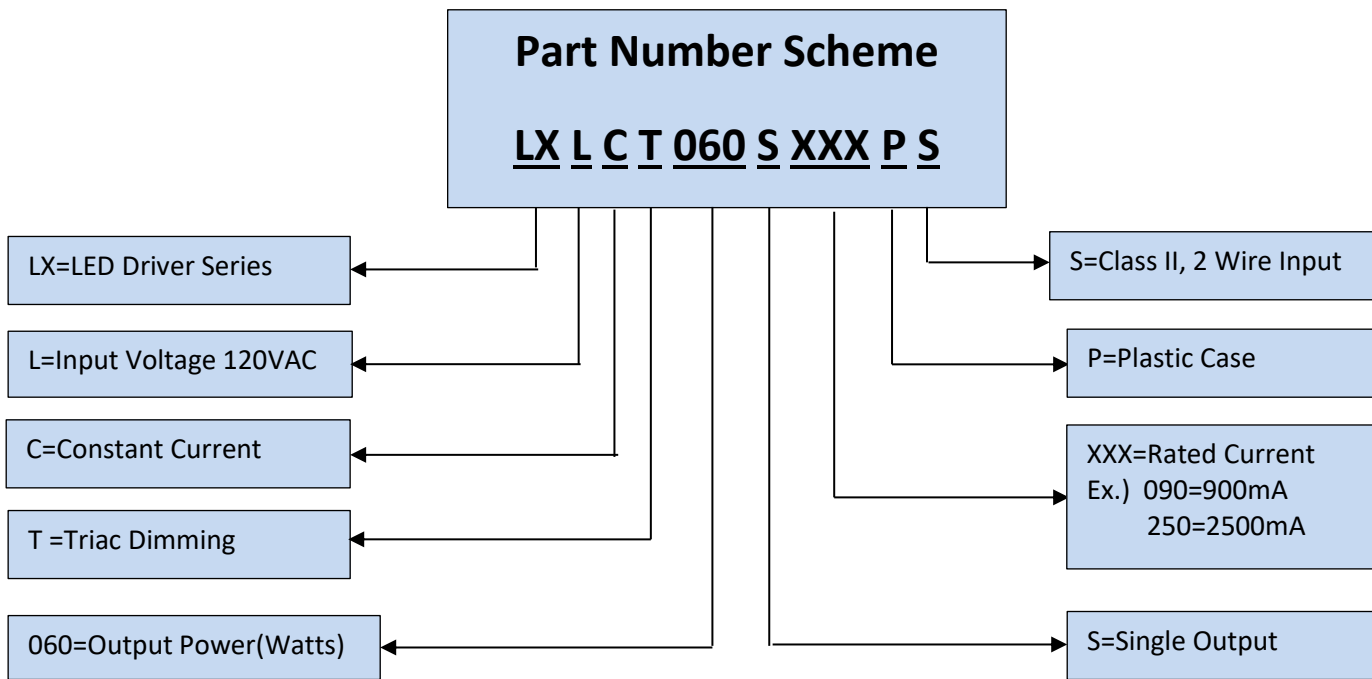


■ Power Factor vs Load



■ Efficiency vs Load





***Product images are for illustrative purposes only and may vary from actual design.**

***Specifications are subject to change without notice. Autec is not Responsible for issues arising from errors or omissions.**