

■ Features

- Power Rating: 16W
- Input Voltage: 120-277Vac
- Constant current design
- Output current (350mA-700mA)
- Fixed output current
- Efficiency up to 80%
- Dimmable with Triac trailing edge dimming option
- UL Class 2 Output
- Lightning, OVP, SCP, & Open Circuit Protection
- IP20
- 5-year warranty



\*Product images are for illustrative purposes only and may vary from actual design.

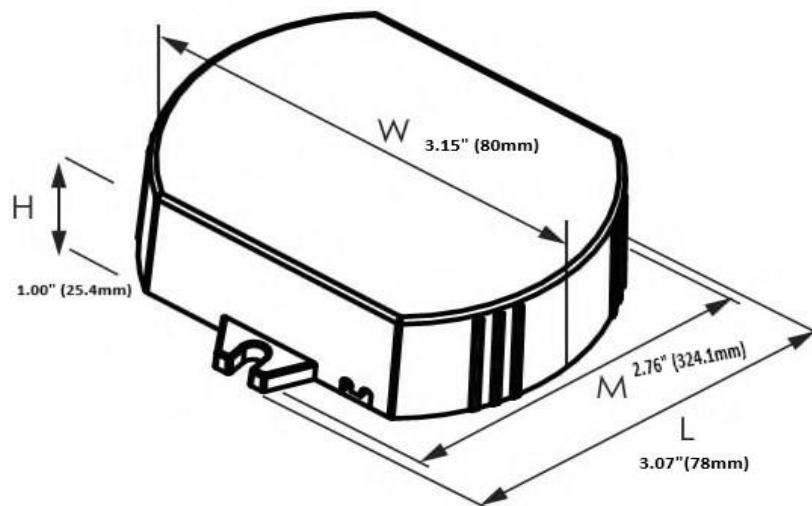
■ Application

- Indoor and outdoor lights

■ Model List\*(See part number scheme for model number details)

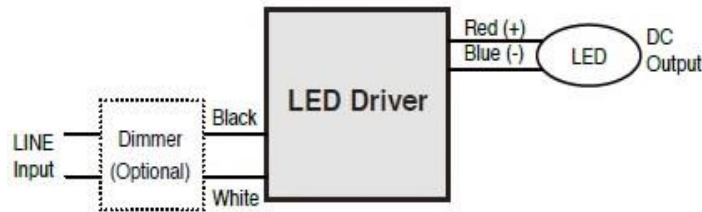
Model Number	Input Voltage Range	Output Power	Output Voltage	Output Current Min.	Output Current Max.	Efficiency	Certification
LXLCT016S035PS	120~277Vac ± 10%	16W	15-46V	350mA	350mA	80%	UL/-
LXLCT016S050PS	120~277Vac ± 10%	16W	10-32V	500mA	500mA	80%	UL/cUL
LXLCT016S070PS	120~277Vac ± 10%	16W	8-23V	700mA	700mA	80%	UL/cUL

■ Wiring Diagram



Technical Sales / Customer Service: +1-818-338-7788 • Email: [sales@autec.com](mailto:sales@autec.com)  
 31328 Via Colinas Suite 102 • Westlake Village, CA 91362 USA • [www.autec.com](http://www.autec.com)

■ **Wiring Diagram(Cont.)**



Input Wire: 12" UL 1316 #18AWG (Black and White)  
 Output Wire: 12" UL 1316/1430 #22AWG (Red and Blue)

■ **Technical Data**

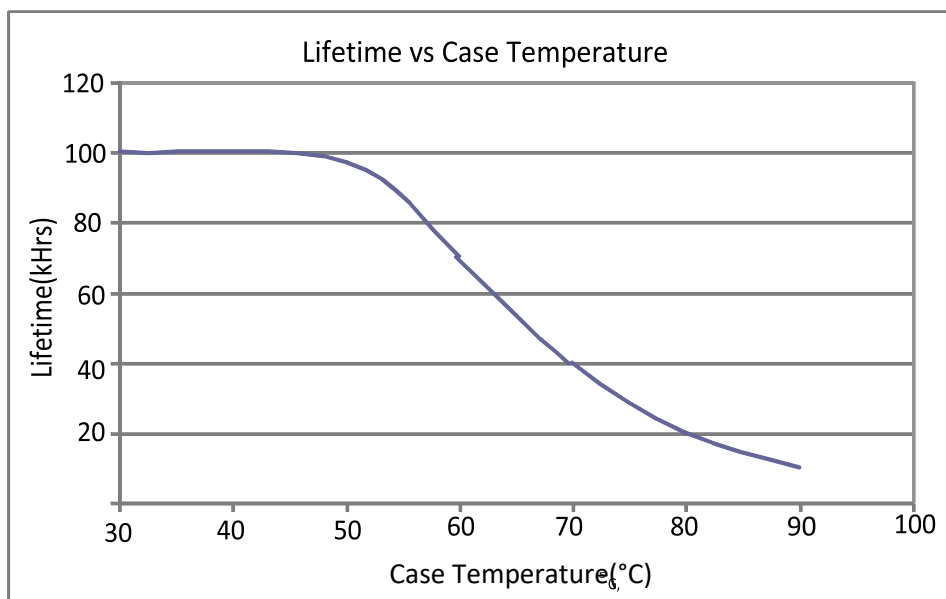
Input voltage range	120~277Vac ± 10%
Frequency	50/60Hz
Power factor	> 0.9 @full load, 120~277V
Inrush current	7A @230V
Max input current	0.19A @120V, 0.09A @277V
THD	< 20%
Withstand voltage	Input to output, 2,000Vac
Protection	Over voltage protection, Over current protection, Short circuit protection
Operating Temperature	-30° to 60°C
Storage Temperature	-40° to 85°C
Humidity	5% to 95%
MTBF	690,000 hours at 40°C ambient (~70°C Case temp.)
Maximum case Temperature	90°C
Length (L)	3.07" (78mm)
Width (W)	3.15" (80mm)
Height (H)	1.00" (25.4mm)
Mounting (M)	2.76" (324.1mm)
Weight	0.19kg
Packing	TBD

**Technical Sales / Customer Service:** +1-818-338-7788 • Email: [sales@autec.com](mailto:sales@autec.com)  
 31328 Via Colinas Suite 102 • Westlake Village, CA 91362 USA • [www.autec.com](http://www.autec.com)

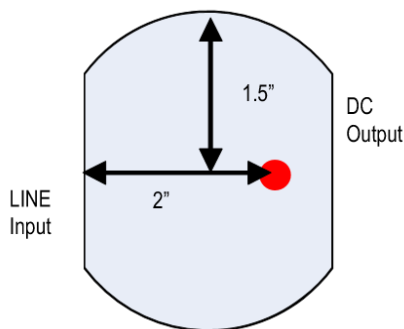
■ **Safety Compliance**

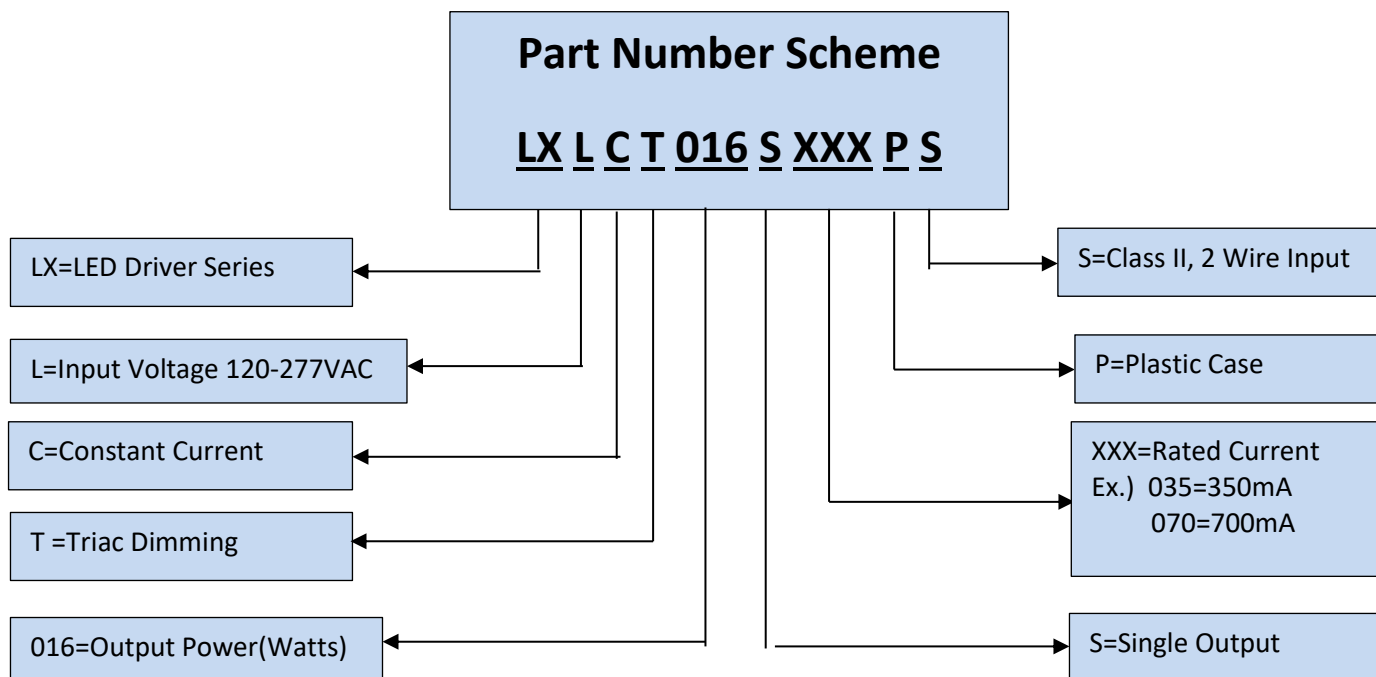
UL/cUL	UL 8750
FCC, 47CFR Part 15	Class B Consumer Limit
EN61000-3-2	Harmonic Current Emissions Class C

■ **Lifetime/Case Temp**



■ **Hottest Spot Location**





**\*Product images are for illustrative purposes only and may vary from actual design.**

**\*Specifications are subject to change without notice. Autec is not Responsible for issues arising from errors or omissions.**