



■ Features

- Power Rating: 100W
- Input Voltage: 20~30Vdc
- Constant current design
- Output current(1400mA-2450mA)
- Efficiency up to 93%
- Dimmable with 0-10V dimming (optional)
- UL Class 2
- IP67



■ Application

- Indoor or outdoor lights

■ Model List\*(See part number scheme for model number details)

\*Product images are for illustrative purposes only and may vary from actual design.

Model Number	Input Voltage Range	Output Power	Output Voltage	Output Current Min.	Output Current Max.	Efficiency	Certification
LSDC-100S140SS	20~30Vdc	100W	35~72V	1400mA	1400mA	92%	UL/cUL
LSDCD100S140SS	20~30Vdc	100W	35~72V	1400mA	1400mA	92%	UL/cUL
LSDC-100S175SS	20~30Vdc	100W	35~57V	1750mA	1750mA	93%	UL/cUL
LSDCD100S175SS	20~30Vdc	100W	35~57V	1750mA	1750mA	93%	UL/cUL
LSDC-100S210SS	20~30Vdc	100W	35~48V	2100mA	2100mA	93%	UL/cUL
LSDCD100S210SS	20~30Vdc	100W	35~48V	2100mA	2100mA	93%	UL/cUL
LSDC-100S245SS	20~30Vdc	100W	35~41V	2450mA	2450mA	93%	UL/cUL
LSDCD100S245SS	20~30Vdc	100W	35~41V	2450mA	2450mA	93%	UL/cUL

\*(-=No dimming/D=Dimming)

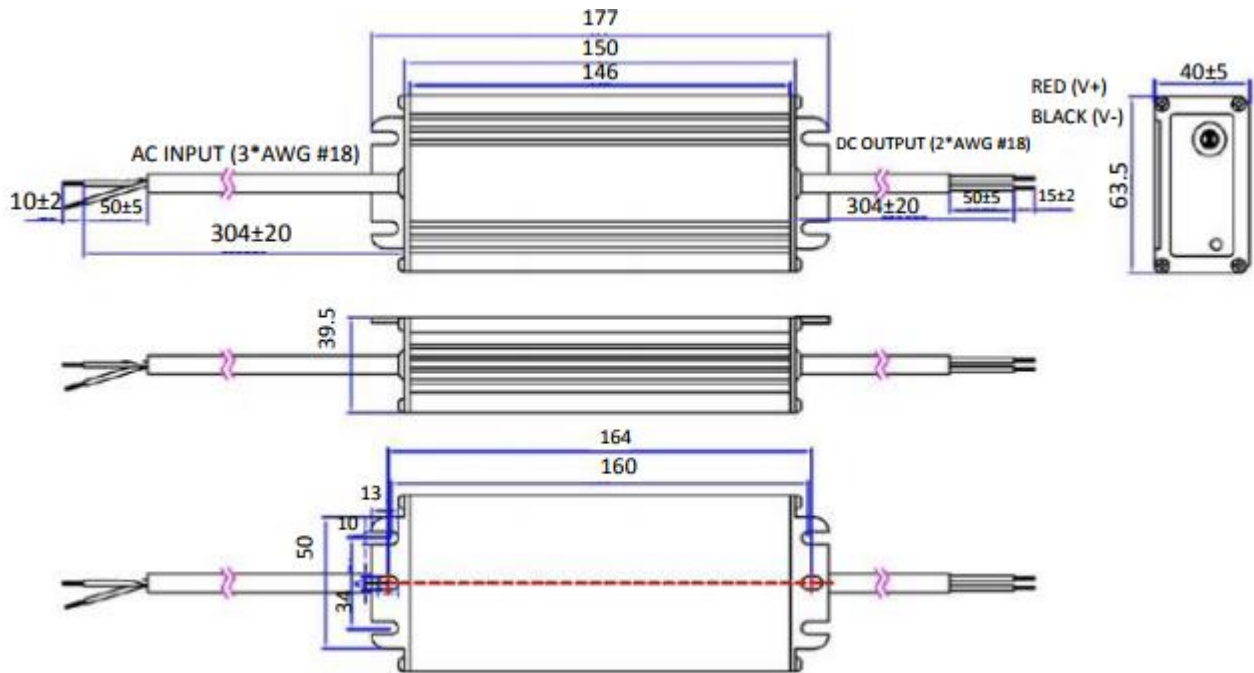
■ Technical Data

Input voltage range	20 ~ 30Vdc
Inrush current	11A Cold start, Vin=24V, Po=100W
Max input current	4.5A @full load, Vin=24V, Po=100W
Load Regulation	5%
Line Regulation	3%
Turn-on Delay Time	0.4 ~ 0.6s
Ripple & Noise (pk-pk)	0.38V, 0.36V, 0.33V, 0.33V
Protection	Over voltage protection: 1.3 Vo ± 5% floating deviation. Latch mode, recycle AC after resolving problem. Short circuit protection: Latch mode, recycle AC after resolving
Operating temperature	-35 ~ 50°C
Storage temperature	-40 ~ 85°C
Humidity	Operational: 10~100% RH non-condensing Storage: 5~100% RH
MTBF	100,000 hours
Life rating	60,000 hours
Length (L)	5.91" (150mm)
Width (W)	2.58" (65.5mm)
Height (H)	1.56" (39.5mm)

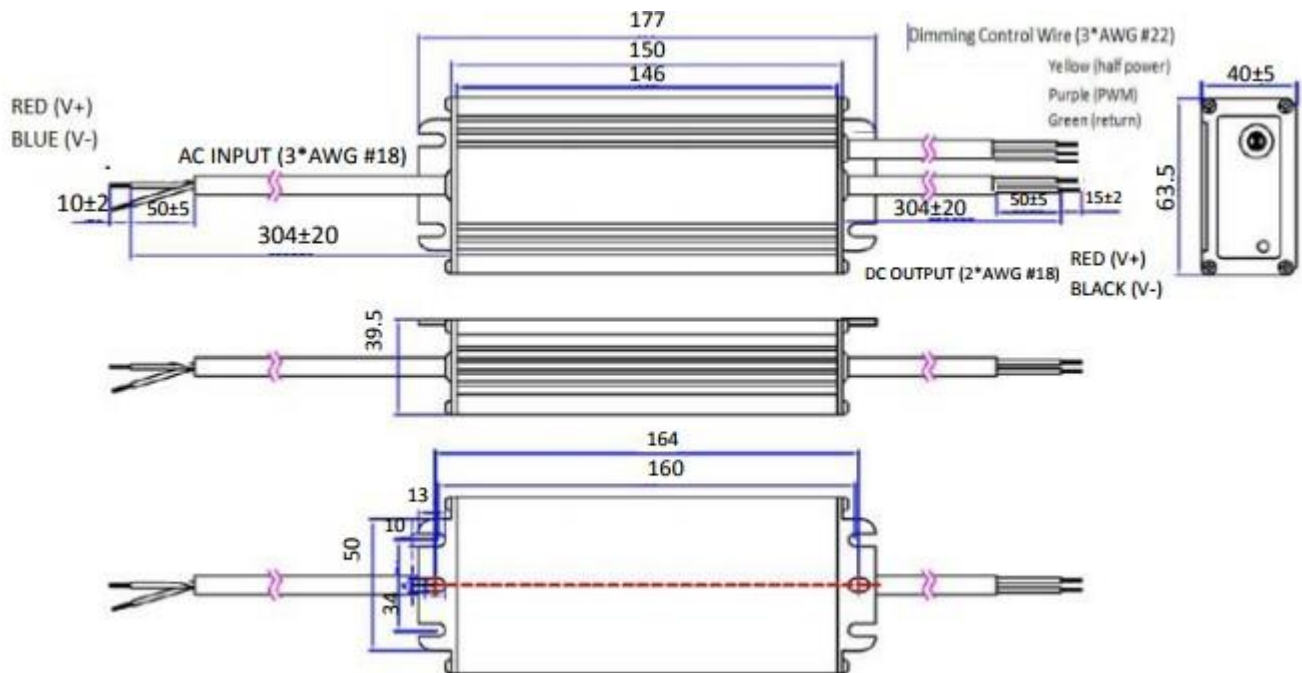
Notes:

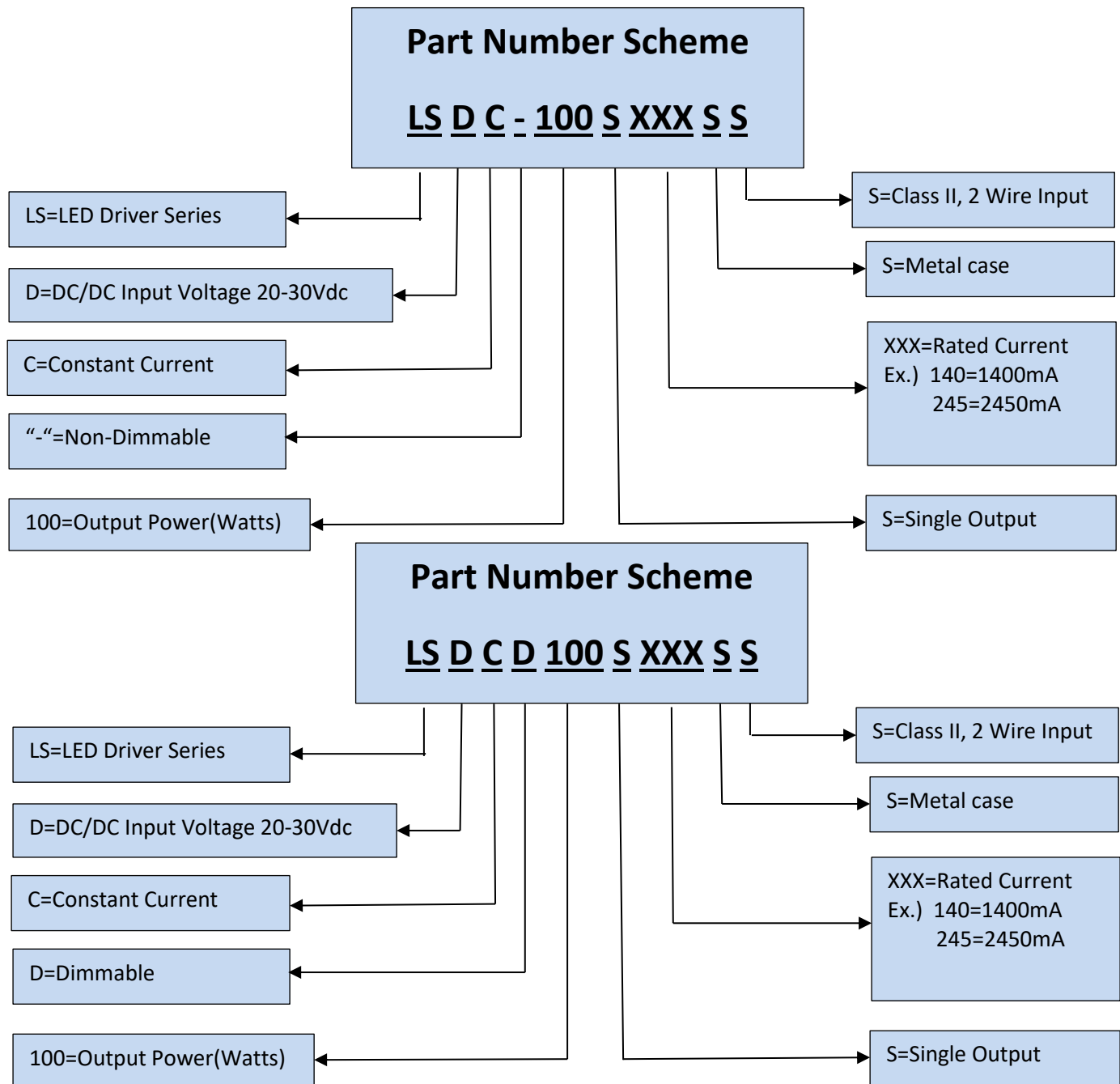
1. All specifications are typical at 25°C unless otherwise stated.
2. The "Efficiency" values are measured at full load, after the unit is thermally stabilized, otherwise they will be lower about 1%.
3. The "Ripple & Noise" values are measured at 20MHz bandwidth oscilloscope and the output paralleled a 0.1uF ceramic capacitor and a 10uF electrolytic capacitor.

■ Non-Dimming Wiring diagram



■ Dimming Wiring Diagram





**\*Product images are for illustrative purposes only and may vary from actual design.**

**\*Specifications are subject to change without notice. Autec is not responsible for issues arising from errors or omissions.**

**Technical Sales / Customer Service:** +1-818-338-7788 • Email: [sales@autec.com](mailto:sales@autec.com)  
31328 Via Colinas Suite 102 • Westlake Village, CA 91362 USA • [www.autec.com](http://www.autec.com)