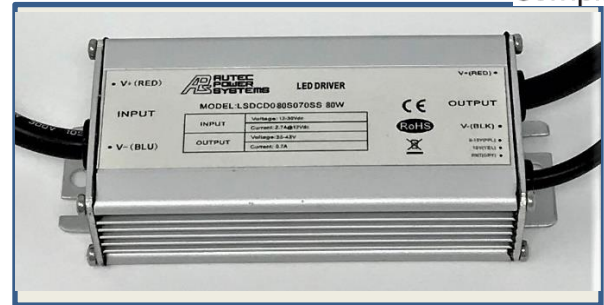


■ **Features**

- Power Rating: 80W
- Input Voltage: 20~30Vdc
- Constant current design
- Output current(1050mA-2100mA)
- Efficiency up to 93%
- Dimmable with 0-10V dimming (optional)
- UL Class 2
- OVP and SCP
- IP67



■ **Application**

- Indoor or outdoor lights

\*Product images are for illustrative purposes only and may vary from actual design.

■ **Model List\***(See part number scheme for model number details)

Model Number	Input Voltage Range	Output Power	Output Voltage	Output Current Min.	Output Current Max.	Efficiency	Certification
LSDC-080S105SS	20~30Vdc	80W	35~77V	1050mA	1050mA	92%	UL/cUL
LSDCD080S105SS	20~30Vdc	80W	35~77V	1050mA	1050mA	92%	UL/cUL
LSDC-080S140SS	20~30Vdc	80W	35~57V	1400mA	1400mA	92%	UL/cUL
LSDCD080S140SS	20~30Vdc	80W	35~57V	1400mA	1400mA	92%	UL/cUL
LSDC-080S175SS	20~30Vdc	80W	35~46V	1750mA	1750mA	93%	UL/cUL
LSDCD080S175SS	20~30Vdc	80W	35~46V	1750mA	1750mA	93%	UL/cUL
LSDC-080S210SS	20~30Vdc	80W	35~38V	2100mA	2100mA	93%	UL/cUL
LSDCD080S210SS	20~30Vdc	80W	35~38V	2100mA	2100mA	93%	UL/cUL

\*(-=No dimming/D=Dimming)

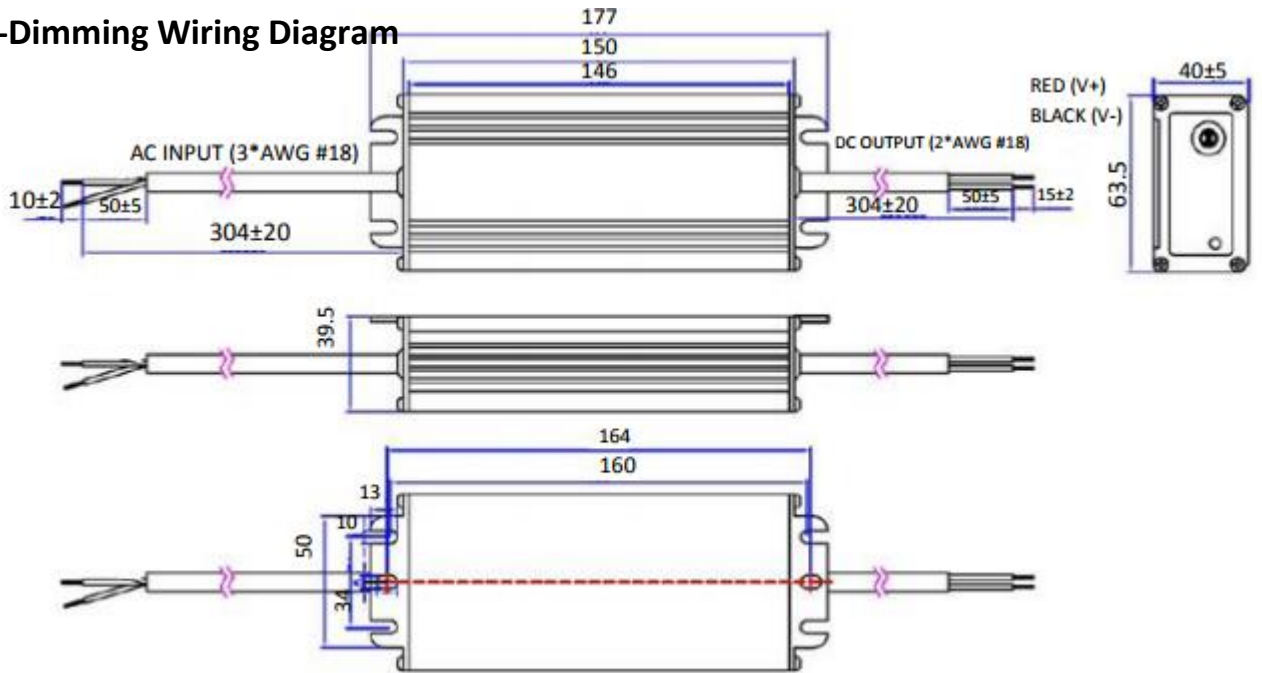
**■ Technical Data**

Input voltage range	20~30Vdc
Inrush current	11A Cold start, Vin=24V, Po=80W
Max input current	3.6A @full load, Vin=24V, Po=80W
Load Regulation	5%
Line Regulation	3%
Turn-on Delay Time	0.4~0.6s
Protection	Over voltage protection: 1.3 Vo ± 5% floating deviation. Latch mode, recycle AC after resolving problem. Short circuit protection: Latch mode, recycle AC after resolving problem.
Operating temperature	-35 ~ 50°C
Storage temperature	-40 ~ 85°C
Humidity	Operational: 10~100% RH non-condensing Storage: 5~100% RH
MTBF	100,000 hours
Life rating	60,000 hours
Length (L)	5.91" (150mm)
Width (W)	2.58" (65.5mm)
Height (H)	1.56" (39.5mm)

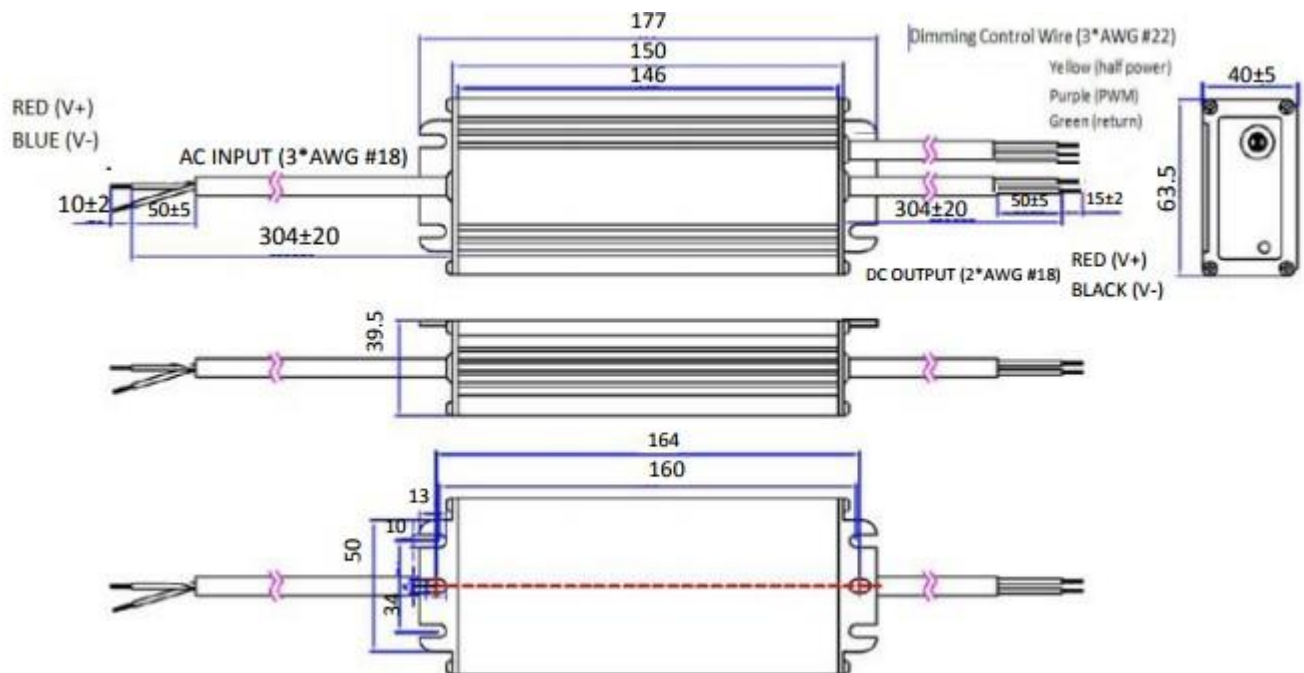
**Notes:**

1. All specifications are typical at 25°C unless otherwise stated.
2. The "Efficiency" values are measured at full load, after the unit is thermally stabilized, otherwise they will be lower about 1%.
3. The "Ripple & Noise" values are measured at 20MHz bandwidth oscilloscope and the output paralleled a 0.1uF ceramic capacitor and a 10uF electrolytic capacitor.

■ Non-Dimming Wiring Diagram

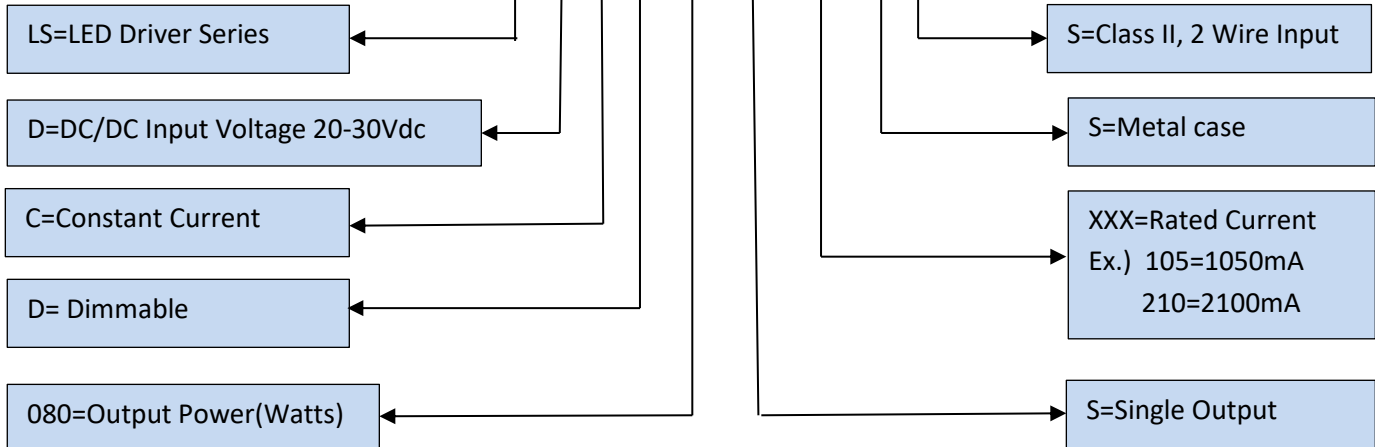


■ Dimming Wiring Diagram



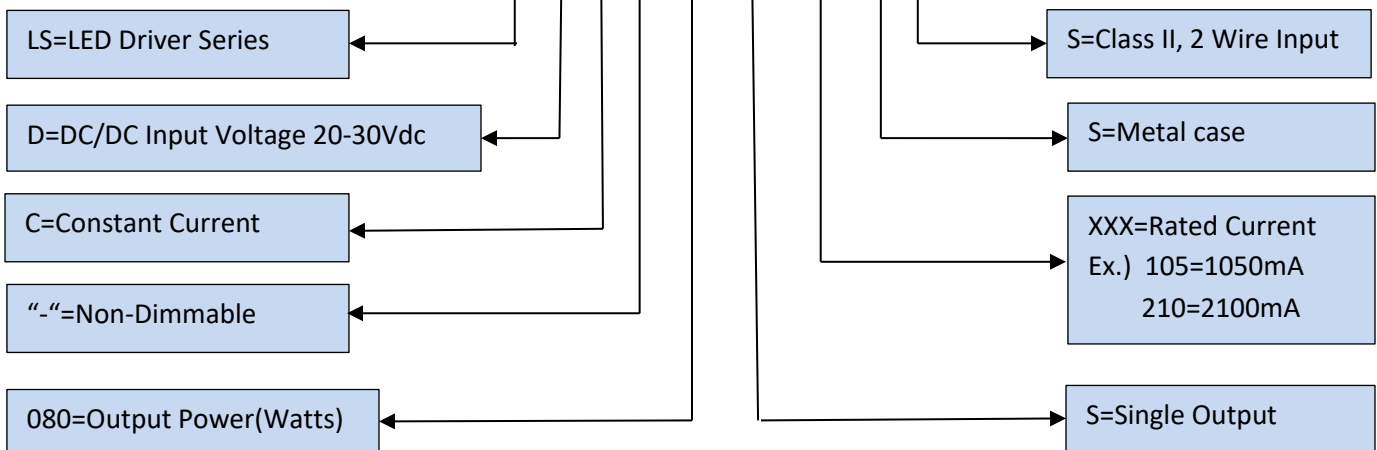
**Part Number Scheme**

**LS D C D 080 S XXX S S**



**Part Number Scheme**

**LS D C - 080 S XXX S S**



**\*Product images are for illustrative purposes only and may vary from actual design.**

**\*Specifications are subject to change without notice. Autec is not responsible for issues arising from errors or omissions.**

**Technical Sales / Customer Service:** +1-818-338-7788 • Email: [sales@autec.com](mailto:sales@autec.com)  
31328 Via Colinas Suite 102 • Westlake Village, CA 91362 USA • [www.autec.com](http://www.autec.com)