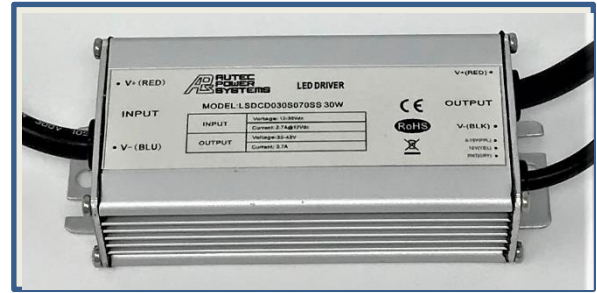


■ Features

- Power Rating: 30W
- Input Voltage: 10-30Vdc ± 10%
- Constant current design
- Output current(350mA-900mA)
- Efficiency up to 93%
- Dimmable with 0-10V dimming (optional)
- UL Class 2
- OVP and SCP
- IP67



*Product images are for illustrative purposes only and may vary from actual design.

■ Application

- Indoor or outdoor lights

■ Model List*(See part number scheme for model number details)

Model Number	Input Voltage Range	Output Power	Output Voltage	Output Current Min.	Output Current Max.	Efficiency	Certification
LSDCD030S035SS	10-30Vdc	30W	51~86V	350mA	350mA	90% @12V 93% @24V	UL/cUL
LSDC-030S035SS	10-30Vdc	30W	51~86V	350mA	350mA	90% @12V 93% @24V	UL/cUL
LSDCD030S070SS	10-30Vdc	30W	35~43V	700mA	700mA	90% @12V 93% @24V	UL/cUL
LSDC-030S070SS	10-30Vdc	30W	35~43V	700mA	700mA	90% @12V 93% @24V	UL/cUL
LSDCD030S090SS	10-30Vdc	30W	30~33V	900mA	900mA	90% @12V 93% @24V	UL/cUL
LSDC-030S090SS	10-30Vdc	30W	30~33V	900mA	900mA	90% @12V 93% @24V	UL/cUL

*(-=No dimming/D=Dimming)

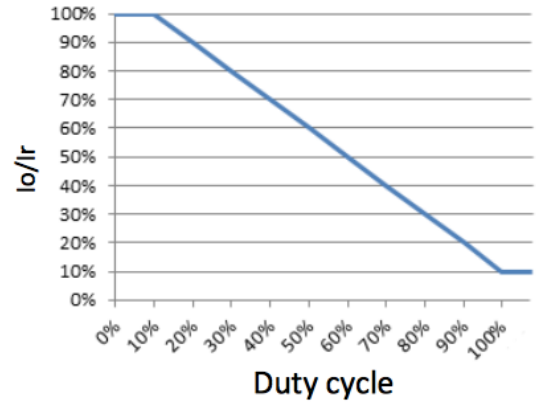
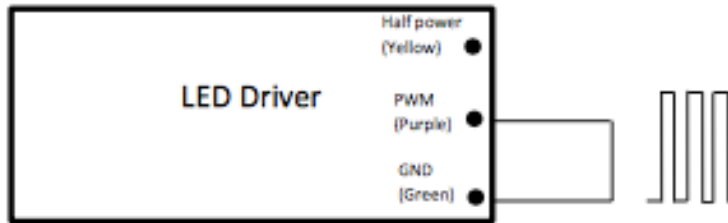
■ **Technical Data**

Input voltage range	10-30Vdc
Frequency	50/60Hz
Inrush current	4A Cold start, Vin=12V, Po=30W
Max input current	2.8A @full load, Vin=12V, Po=30W 1.3A @full load, Vin=24V, Po=30W
Load Regulation	5%
Line Regulation	3%
Turn-on Delay Time	< 0.25s
Protection	Over voltage protection: 1.3 Vo \pm 5% floating deviation. Latch mode, recycle AC after resolving problem. Short Circuit Protection: Latch mode, recycle AC after resolving problem.
Operating temperature	-35 ~ 50°C
Storage temperature	-40 ~ 85°C
Humidity	Operational: 10~100% RH non-condensing Storage: 5~100% RH
MTBF	100,000 hours
Life rating:	60,000 hours
Length (L)	4.09" (104mm)
Width (W)	1.71" (43.5mm)
Height (H)	1.36" (34.5mm)

Notes:

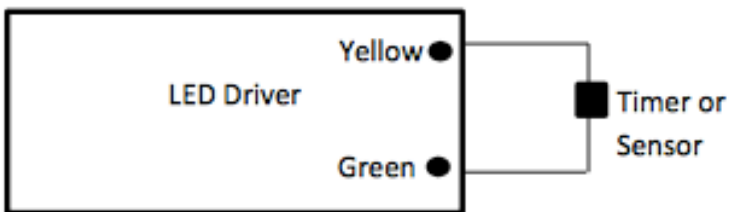
1. All specifications are typical at 25°C unless otherwise stated.
2. The "Efficiency" values are measures at full load, after the unit is thermally stabilized, otherwise they will be lower at about 1%.
3. The "Ripple & Noise" values are measured by 20MHz bandwidth oscilloscope and the output paralleled a 0.1uF ceramic capacitor and a 10uF electrolytic capacitor

■ **PMW Dimming**

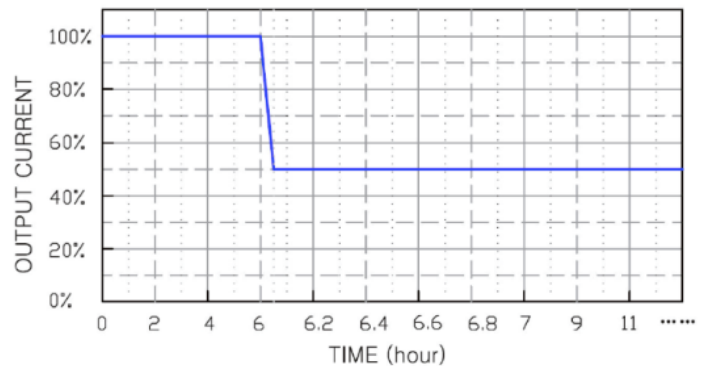


Pulse: High=5V, Low=2V
Duty; 10-100% Fsw: 1-2KHz

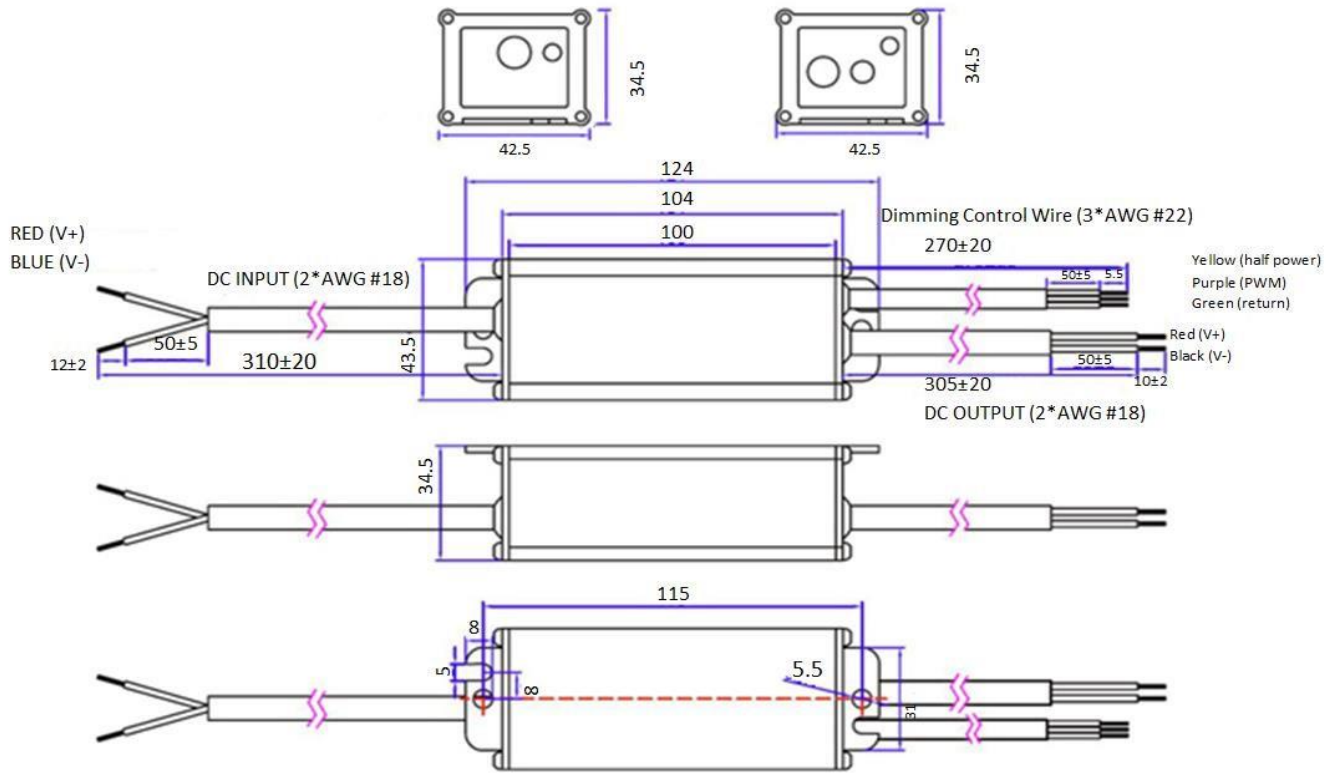
■ **Half Power Dimming Chart**



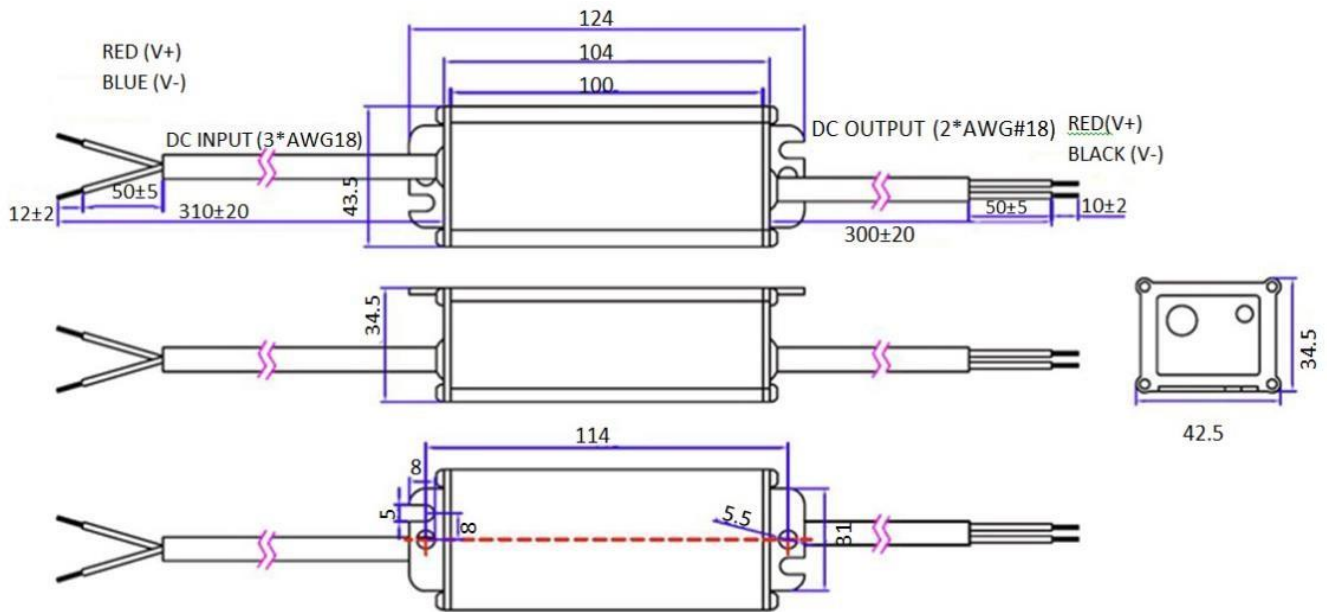
Timer Dimming

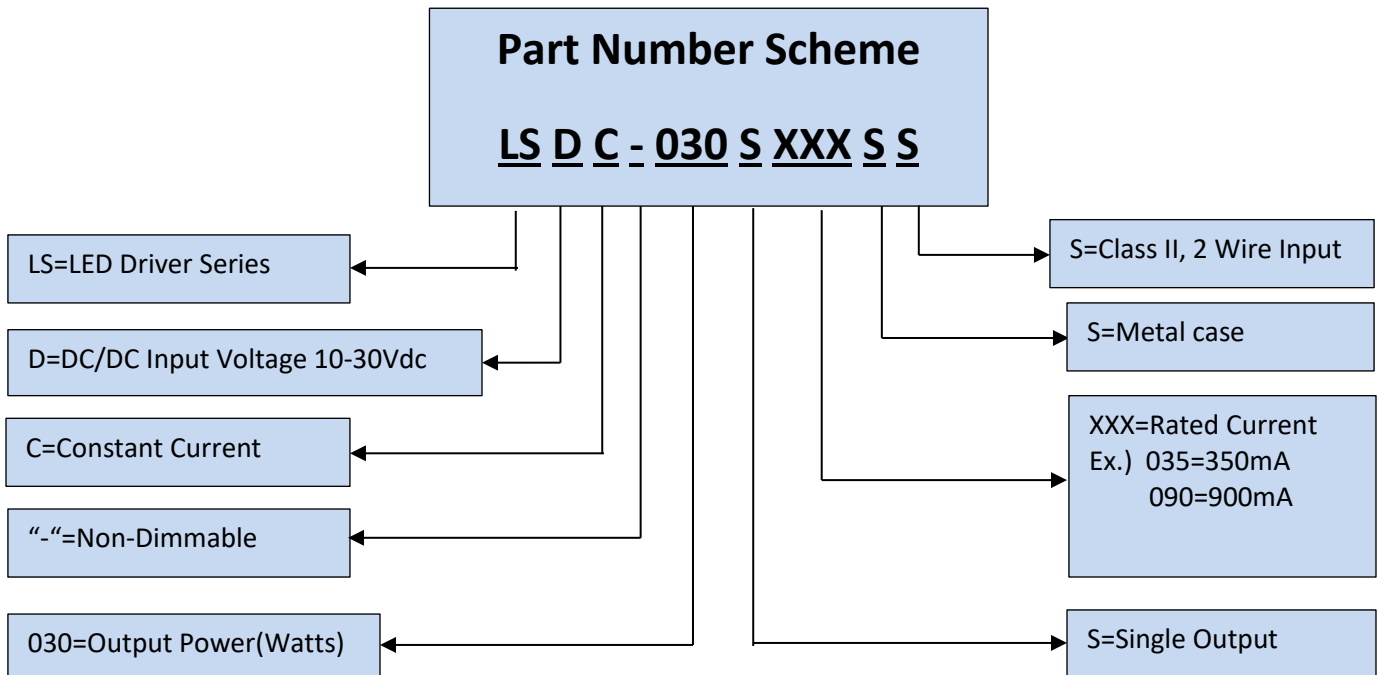
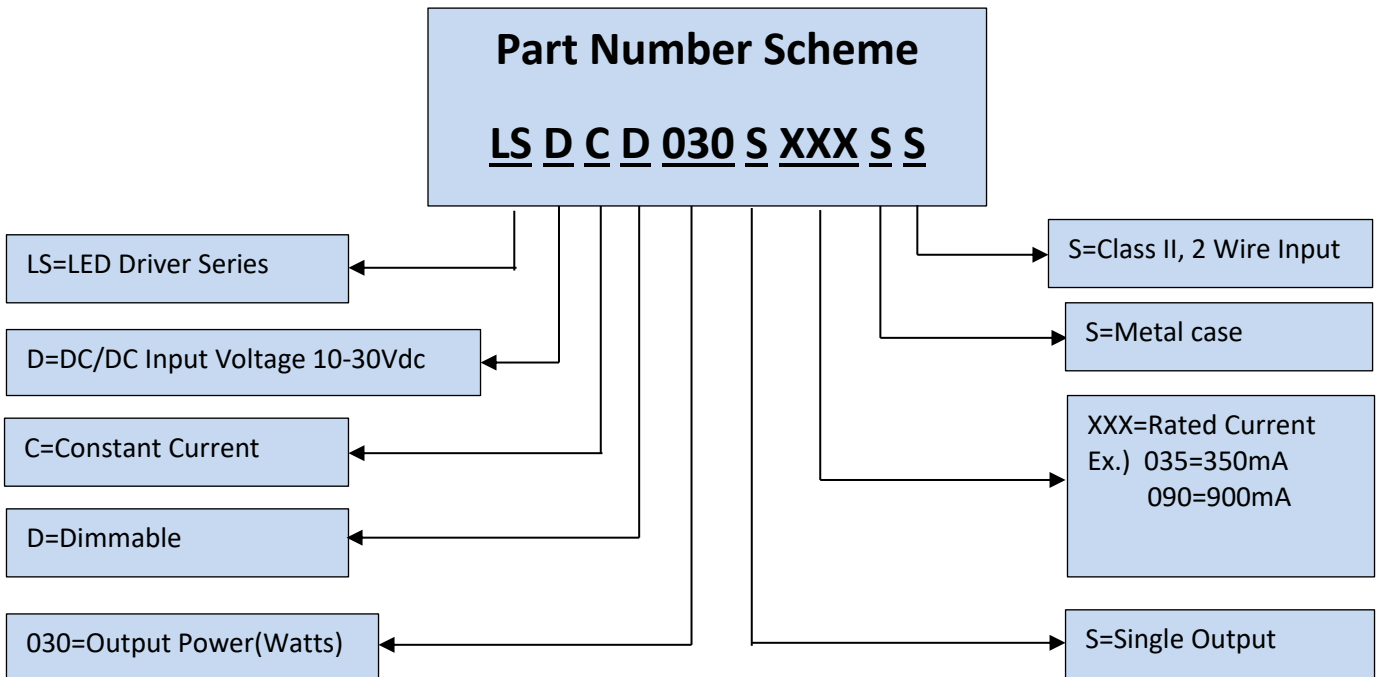


■ **Dimming Wiring Diagram**



■ **Non-Dimming Wiring Diagram**





***Product images are for illustrative purposes only and may vary from actual design.**

***Specifications are subject to change without notice. Autec is not responsible for issues arising from errors or omissions.**

Technical Sales / Customer Service: +1-818-338-7788 • Email: sales@autec.com
31328 Via Colinas Suite 102 • Westlake Village, CA 91362 USA • www.autec.com