

■ Features

- Power Rating: 150W
- Input Voltage: 180-528Vac
- Constant current design
- Output current(2000mA-4700mA)
- Selectable output through POT switch
- Efficiency up to 91%
- Optional dimming function: 0-10V, PWM, Resistor, Timing
- Major World Safeties all in one Driver: UL/CCC/TUV/BIS/SAA/CE
- Protections: SCP, OTP, OVP
- IP65
- 5-year warranty
- Surge Protection: L/N-PE/GND: 4KV, L-N 2KV



*Product images are for illustrative purposes only and may vary from actual design.

■ Application

- High bay lights

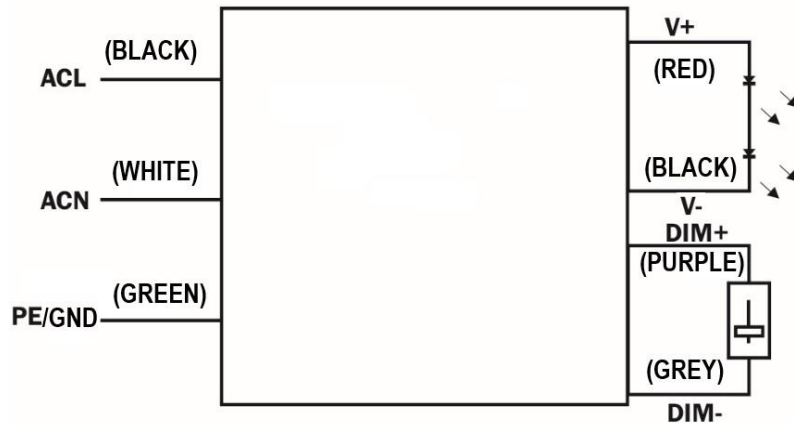
■ Model List*(See part number scheme for model number details)

Model Number	Input Voltage Range	Output Power	Output Voltage	Output Current Min.	Output Current Max.	Efficiency	Certification
L3HCP150S470ST	180-528Vac	150W	24-42V	2600mA	4700mA	90%	UL/CCC/TUV BIS/SAA/CE
L3HCP150S360ST	180-528Vac	150W	32-58V	2000A	3600mA	91%	UL/CCC/TUV BIS/SAA/CE

Notes:

1. Output current selectable by POT switch
2. Torque: 0.98 to 19.6mN-m (10 to 200gf-cm) max.
3. Stop strength: 49.0mN-m (500gf-cm) min

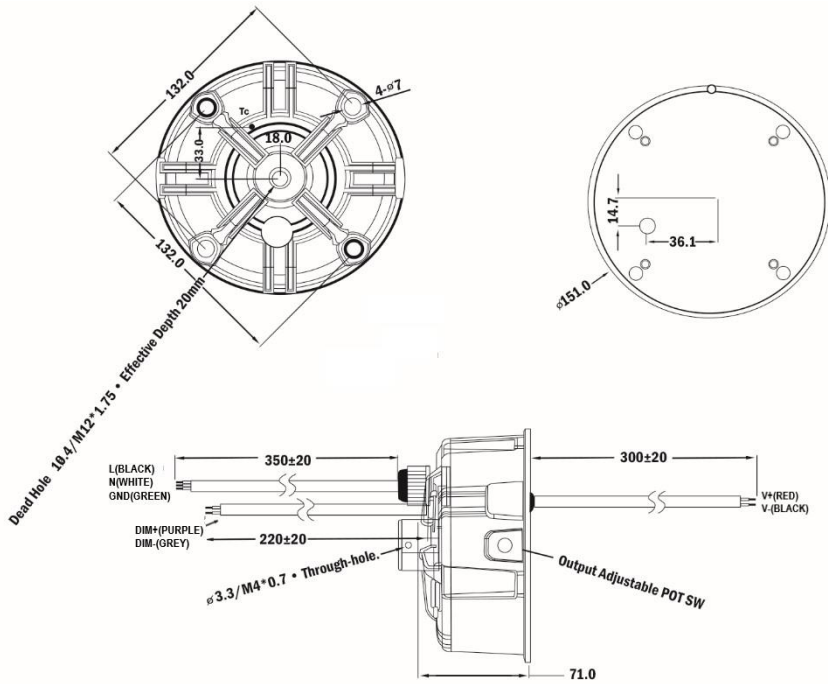
■ Wiring Diagram / Dimming



Input Characteristics

Parameter	Min	Typ.	Max	Remarks
Rated AC input range	200Vac		480Vac	
AC input range	180Vac		528Vac	
Input frequency range	47Hz		63Hz	
Max input current			1.2A	180Vac, full load
Inrush current			60A	347Vac/50Hz, cold start
No load power		2W	4W	347Vac/50Hz, No load
Power factor	0.93	0.95		347Vac/50Hz, full load
	0.90			200-480Vac/50Hz, 80-100% Load
THD		8%	10%	347Vac/50Hz, full load
			25%	200-480Vac/50Hz, 70-100% Load

Mechanical Design



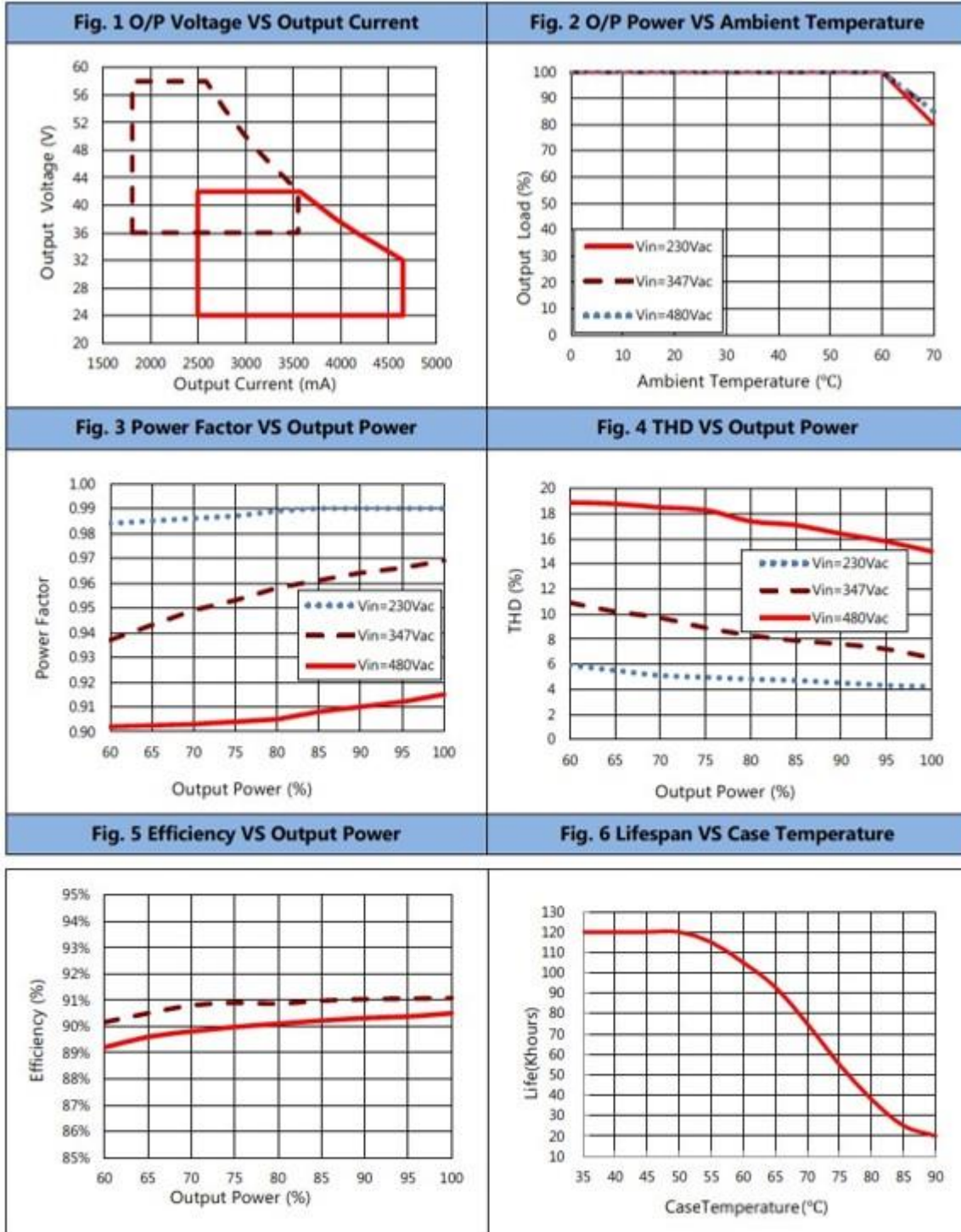
Input Wire: UL STW #18AWG, 3 X 0.824MM², O.D. 9MM, GREEN: PE/GND, BLACK: L, WHITE: N
 Output Wire: UL SJTW #14AWG 2X2.08MM², O.D. 9MM, RED: V+, BLACK: V-
 Dim Wire: STYLE 2733, #22AWG O.D. 5.0MM, PURPLE: DIM+, GREY: DIM-

Technical Sales / Customer Service: +1-818-338-7788 • Email: sales@autec.com
 31328 Via Colinas Suite 102 • Westlake Village, CA 91362 USA • www.autec.com

■ Safety Compliance

Certification	Standard	Status	Remark
UL/cUL	UL8750	√	
CE	EN 61347-2-13:2014 EN61347-1:2008+A1:2011+A2:2013	√	
Item	Standard	Remark	
Insulation Strength	Input-output	3200Vac/5mA Max/60s	Reinforced insulation
	Primary-Earth	1600Vac/5mA Max/60s	Basic insulation
	Sec.- Earth	1000Vac/5mA Max/60s	Function insulation
Insulation Resistance	Input-output	≥10 MΩ	Testing Voltage: 500Vdc
Ground Resistor	≤0.1Ω	25A/1min	
Leakage Current	≤0.75mA	480Vac	
Item	Criterion	Remark	
Conduction Emission	EN55015:2013+A1:2015		
Radiation Emission	EN55015:2013+A1:2015		
Harmonic Current Emissions	IEC/EN 61000-3-2	Class C	
Surge	IEC/EN61000-4-5	Difference mode 4KV, Common mode 6KV Criterion B	

■ Performance Curve



Parameter		Min	Typ.	Max	Remarks
0-10V Dimming (optional)	Dim Vmax	-20V		14V	3 in 1 Dimming; 1-5V Dimming optional; Negative Logic Dim Optional Dim-off value
	Dim Range	10% Io max		100% Io set	
	Voltage	1V		10V	
	OFF	0.3V	0.5V	0.7V	
	On	0.5V	0.7V	0.9V	
PWM Dimming (Optional)	High	5V		10V	
	Low	-0.3V		-0.6V	
	Frequency	200Hz		2KHz	
	PWM Duty	1%		99%	
Resistor Dimming (optional)	Resistance	10K Ohm		100K Ohm	
	Dimming	10% Io max		100% Io Set	
Timing Curve (optional)	IC Control	By Programming			Typically, 3-4 sections
	Timing	5H/6H/7H/8H per section			DefaultMode:24 Hour/Circle with 50% load
Protection	OTP	90°C	100 °C	110 °C	Tc, Self-recovery
	Short Circuit Protection	Driver will not damage with CC Limit			Remove abnormal, Self- recovery
Life Time		55,000hrs			347Vac full load, Tc 75°C
MTBF		200,000hrs			347Vac full load, Ta=25°C, (MIL-HDBK-217F)
Temperature Coefficient		-0.03%/°C		+0.03%/°C	0°C~85°C
Tc					85°C
Warranty		5 years			Tc75°C
Net Weight		1.5kg			
Dimension		φ151mm*71mm			D x H

■ Dimming

0-10V Dimming (Typ.)

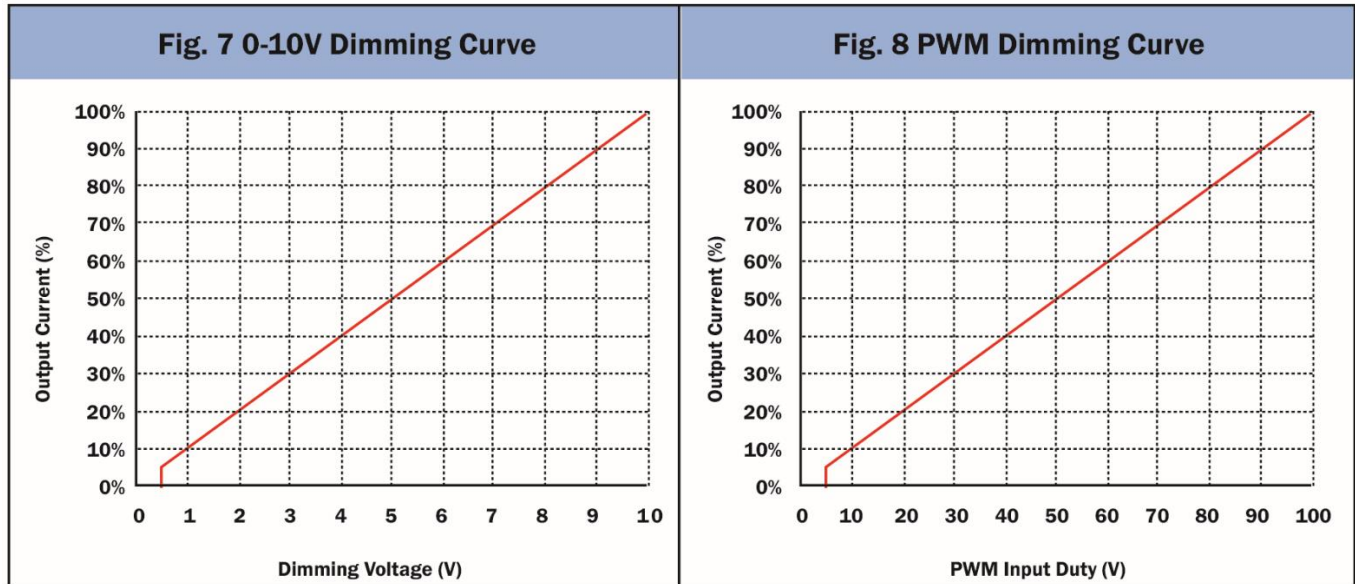
Voltage Range	1V	2V	3V	4V	5V	6V	7V	8V	9V	10V	Open
Rated Current Percentage	10%	20%	30%	40%	50%	60%	70%	80%	90%	100%	95-108%

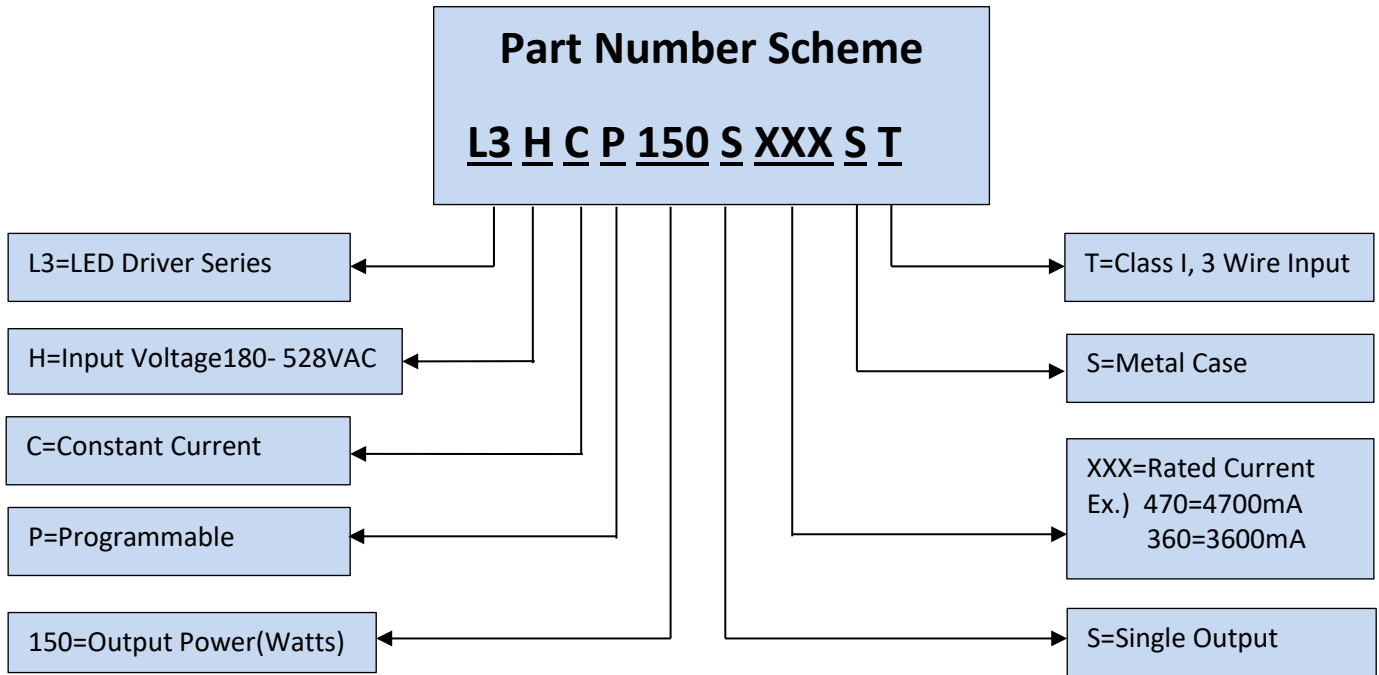
PWM Duty	10%	20%	30%	40%	50%	60%	70%	80%	90%	100%	Open
Rated Current Percentage	10%	20%	30%	40%	50%	60%	70%	80%	90%	100%	95-108%

Resistor(Typ.)

Resistor	10KΩ	20KΩ	30KΩ	40KΩ	50KΩ	60KΩ	70KΩ	80KΩ	90KΩ	100 KΩ	Open
Rated Current Percentage	10%	20%	30%	40%	50%	60%	70%	80%	90%	100%	95-108%

■ Dimming Curve





*Product images are for illustrative purposes only and may vary from actual design.

*Specifications are subject to change without notice. Autec is not responsible for issues arising from errors or omissions.

Technical Sales / Customer Service: +1-818-338-7788 • Email: sales@autec.com
31328 Via Colinas Suite 102 • Westlake Village, CA 91362 USA • www.autec.com