

■ Features

- Power Rating: 42-60W
- Input Voltage: 90-305Vac 0-10V Dimming
- Input Voltage: 108-132Vac Triac/ELV Dimming
- Constant current design
- Output current (1330mA-2205mA)
- Output current Settable by DIP switch
- Efficiency up to 83%
- Compatible with 0-10V and Triac/ELV dimming
- UL Class 2 Output
- Lightning protection, OVP, SCP, and OTP
- IP20 and IP66 models
- 5-year warranty



*Product images are for illustrative purposes only and may vary from actual design.

■ Application

- Suitable for a variety of LED lighting applications

■ Model List*(See part number scheme for model number details)

Model Number	Input Voltage Range	Output Power	Output Voltage	Output Current Min.	Output Current Max.	Efficiency	Certification
LEWCH060S210PS	90-305Vac 108-132Vac	60W	15-32V	1330mA	2205mA	83%	UL/cUL

Settable Output Current	Output Power	Output Voltage	Output Current Min.	Output Current	Output Current Max	Remarks
Output Current I	60W	18-28V	1995mA	2100mA	2205mA	Level I, Tested @110V Input
Output Current II	54W	18-30V	1710mA	1800mA	1890mA	Level II, Tested @110V Input
Output Current III	51W	15-32V	1520mA	1600mA	1680mA	Level III, Tested @150V Input
Output Current IV	42W	15-32V	1330mA	1400mA	1470mA	Level IV, Tested @110V Input

(*Output Current settable by DIP switch)

■ Technical Data

Output voltage	15-32V
Input voltage range	90-305Vac 0-10 Dimming; 108-132Vac Triac/ELV Dimming
Frequency	47-63Hz
Max input current	0.28A @ full load and 110 V input, 0.14A @ full load and 220V input

Technical Sales / Customer Service: +1-818-338-7788 • Email: sales@autec.com
31328 Via Colinas Suite 102 • Westlake Village, CA 91362 USA • www.autec.com

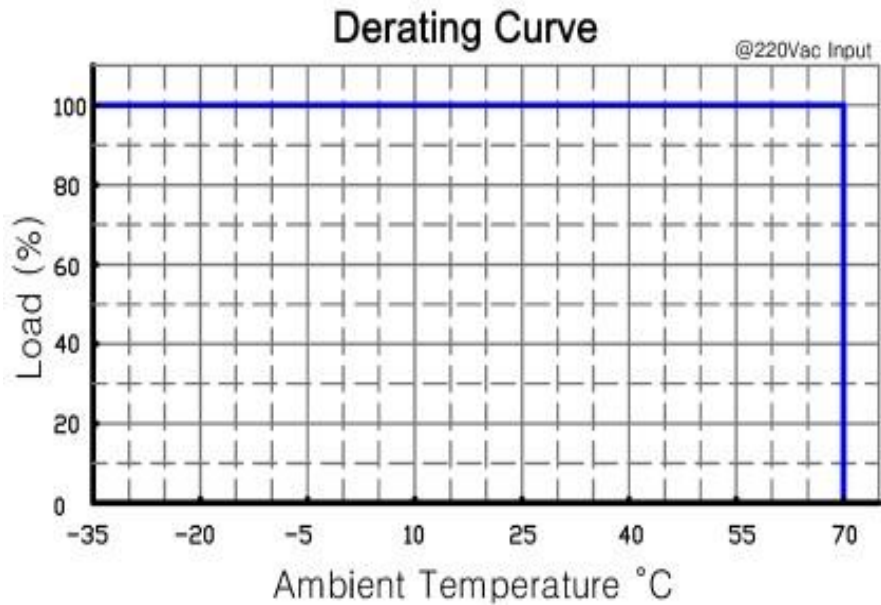
■ **Technical Data(cont.)**

Inrush Current	10A
Leakage Current	0.50mA
Efficiency	83%
Current Ripple	± 30%
Dimming	0-10V Dimming; Tiac/ELV Dimming
Set-up Delay Time	0.7s
Line Regulation	± 5%
Load Regulation	± 8%
Protection OVP	Hiccup mode. The power supply shall return to normal operation only after the power is turned on again
Protection SCP	No damage shall occur when any output operation in a short circuit condition. The power supply shall be self-recovered when the fault condition is removed.
Protection OTP	110 °C
Dimension	137x81.5x31 mm (5.39x3.2x1.22inch)
Mounting Length	TBA
Overall Length	TBA
Weight	TBA
Packing	TBA
Lifetime	50,000 hours
MTBF	500,000 hours
Working Temp., Humidity	-25°C+70°C; 10%-100% RH non-condensing
Storage Temp., Humidity	-40°C-85°C; 5%-100% RH

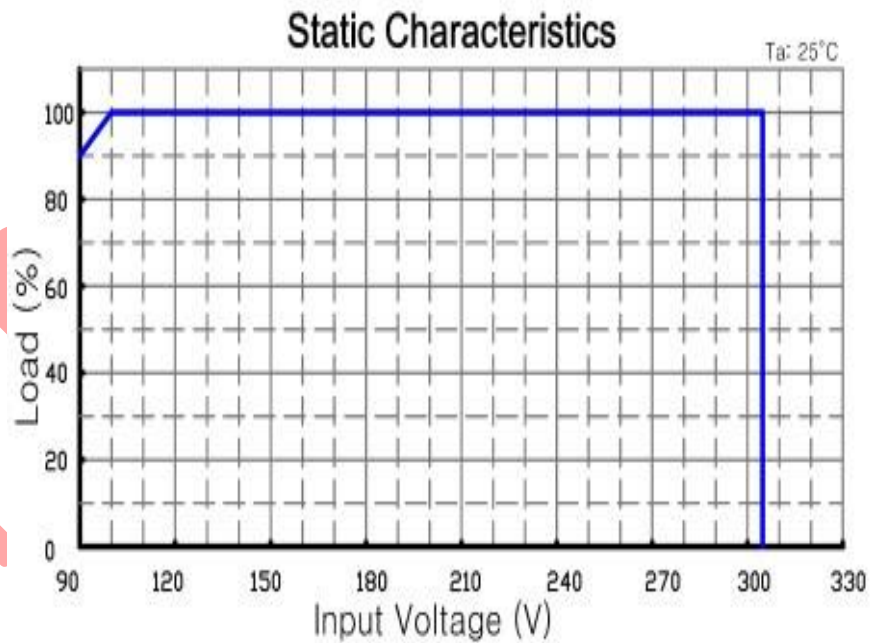
■ **Safety and EMC Compliance**

EMI	EN55015 Class B
EMS	EN61000-3-2, EN61000-3-3, EN61000-4-2, EN61000-4-3, EN61000-4-4, EN61000-4-5, EN61000-4-6, EN61000-4-8, EN61000-4-11, EN61547

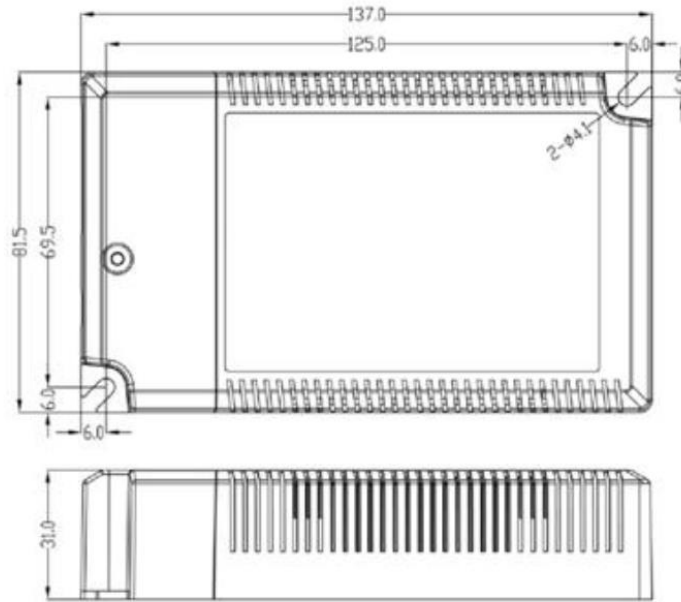
■ Derating Curve



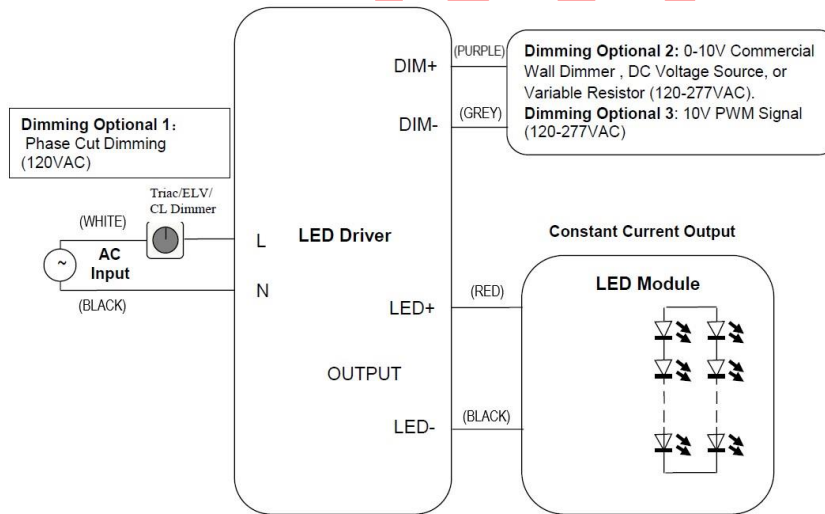
■ Static Characteristics



■ Mechanical Diagram



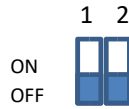
■ Dimming



Mode 1 : Triac/ELV dimmer on Dimming Control

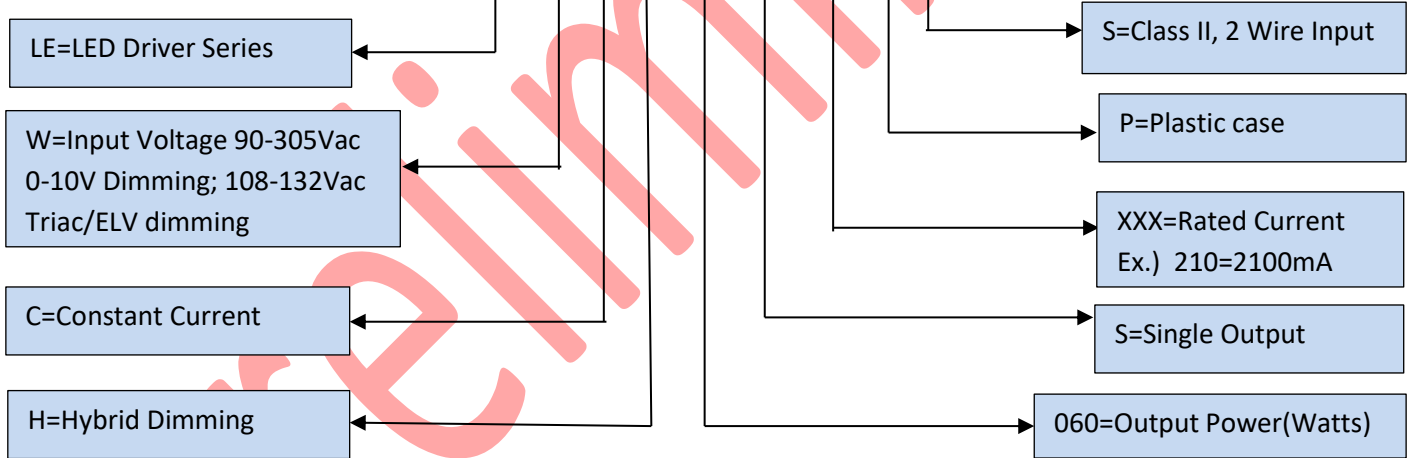
Parameter	Min.	Typ.	Max.	Conditions
Dimming Range	10%Io	-	100%Io	110 Vac
Conduction Angle	30°	-	180°	110 Vac

■ Output Selection



Switch Location	1400mA	1600mA	1800mA	2100mA
1	ON	ON	OFF	OFF
2	ON	OFF	ON	OFF

Part Number Scheme
LE W C H 060 S XXX P S



*Product images are for illustrative purposes only and may vary from actual design.

*Specifications are subject to change without notice. Autec is not responsible for issues arising from errors or omissions.