

■ Features

- Power Rating: 320W
- Input Voltage: 90-305Vac
- Constant Voltage design
- Output current (8800mA)
- Efficiency up to 93%
- UL Class 2 Output
- Lightning, OVP, SCP, OTP & Open Circuit Protection
- IP67
- 7-year warranty
- Surge Protection: Line to line 3kV, Line to Earth 6kV



*Product images are for illustrative purposes only and may vary from actual design.

■ Application

- Outdoor and indoor LED lights
- LED lights with constant voltage
- Street lights, high bay and low bay lights, LED panels

■ Model List*(See part number scheme for model number details)

Model Number	Input Voltage Range	Output Power	Output Voltage	Output Current Min.	Output Current Max.	Efficiency	Certification
L4WV-320S036ST	90-305Vac	320W	36V	8800mA	8800mA	93%	UL/cUL

■ Technical Data

Input voltage range	90-305Vac
Frequency	47-63Hz
Power factor	> 0.95 @115Vac & 80~100% Full load, > 0.90 @277Vac & 80~100% Full load
Output voltage	36V
Output power	320W
Max. Current ripple	±10%
Max. Voltage ripple	±0.5%
Max input current	4.0A

■ **Technical Data(cont.)**

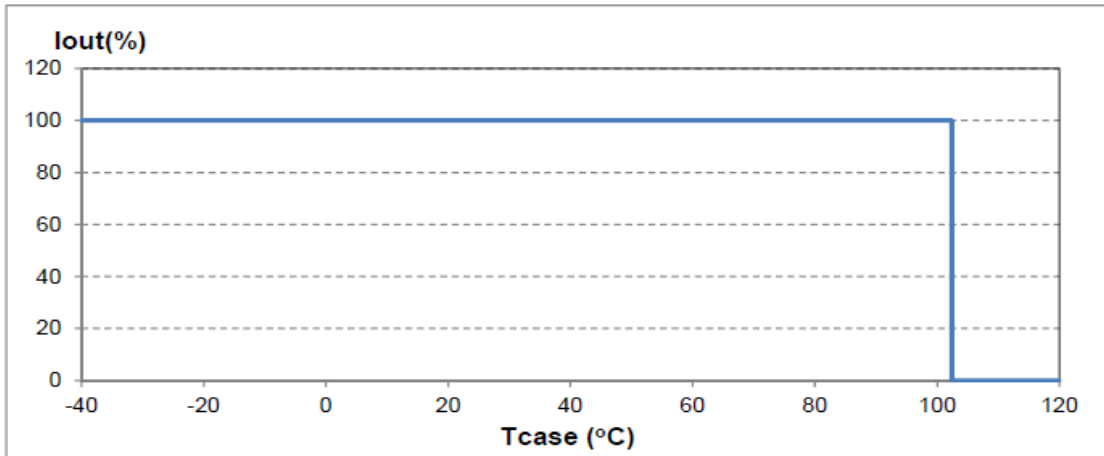
Max input Power	360W
Efficiency	93%
Max. open circuit voltage	39V
Dimming	N/A
THD	<20% @ 120Vac & 80~100% full load, <20% @ 277Vac & 80~100% full load
Output Current	8800mA
Protection	OVP, SCP, OTP, and open circuit protection
Environmental Protection	UL Dry and Damp and Wet
Working Temperature	-40~+70°C
Max Case Temperature	90°C
Surge Protection	Line to line 3kV, Line to Earth 6kV
ANSI Surge Type	1.2/50µs Combination Wave (w/t 2Ω)
Isolation (Primary to Secondary)	3750Vac/10maMax/60 seconds
Dimension	230x84x42.5 mm (9.06x3.31x1.67 inch)
Mounting length	244 mm (9.61 inch)
Overall length	254 mm (10.00 inch)
Weight	1.68 kg (3.70 lb)
Lifetime	100,000 hours @full load, 70°C Tcase
Packing	1.68 kg; 12 units/carton; 27 cartons/pallet

■ **Safety Compliance**

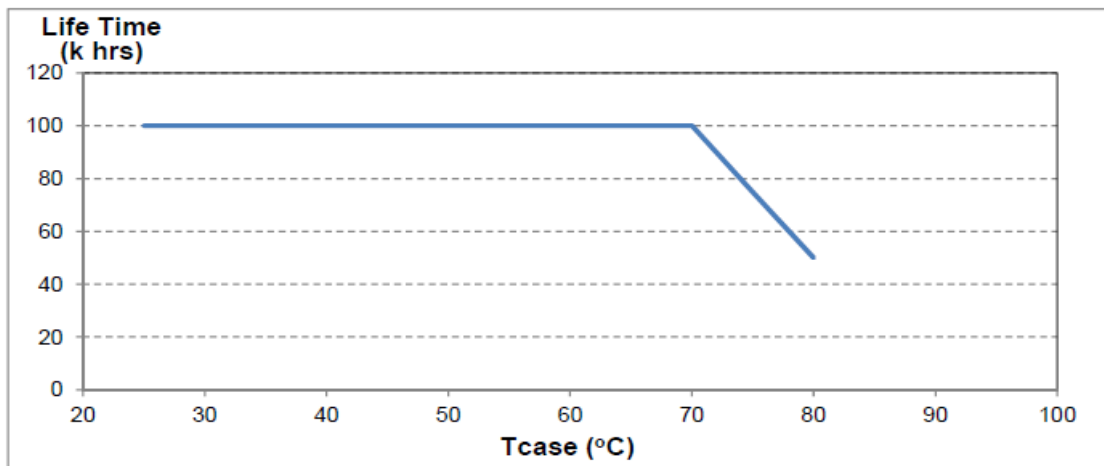
Safeties	UL1310 class 2
Electromagnetic Compliance	Per Title 47 CFR Part 15 Class B

■ **Electrical Specifications**

Output Current vs. Case Temperature (with $\pm 5^{\circ}\text{C}$ Tolerance)

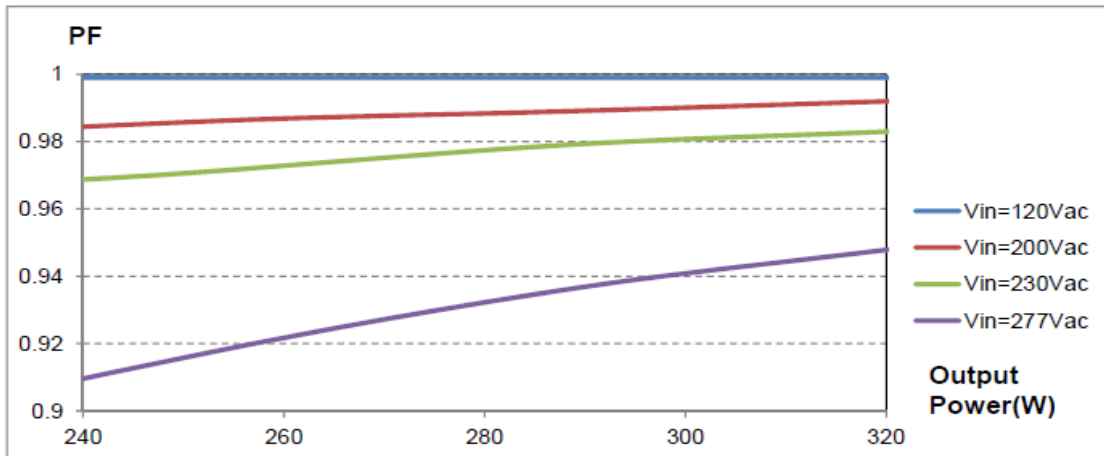


■ **Lifetime vs Case Temperature**



■ **Power Factor vs. Output Power**

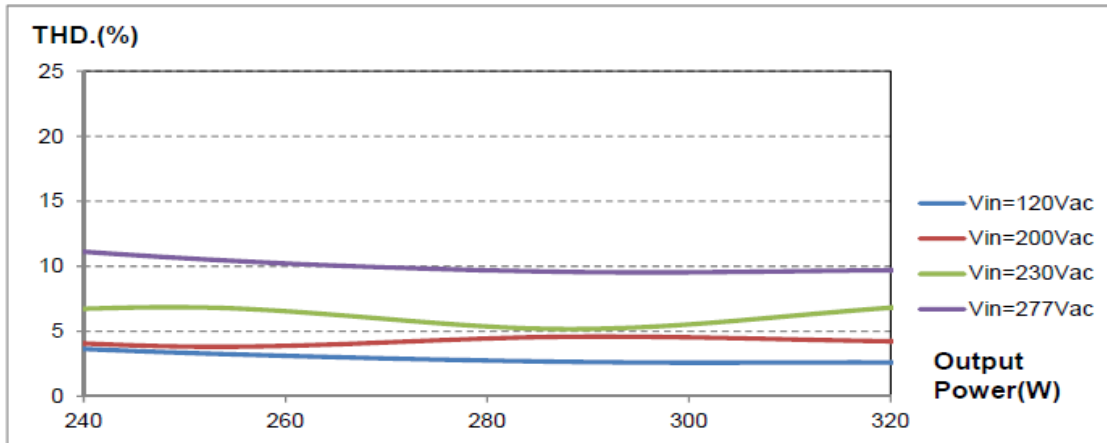
(@ 25°C)



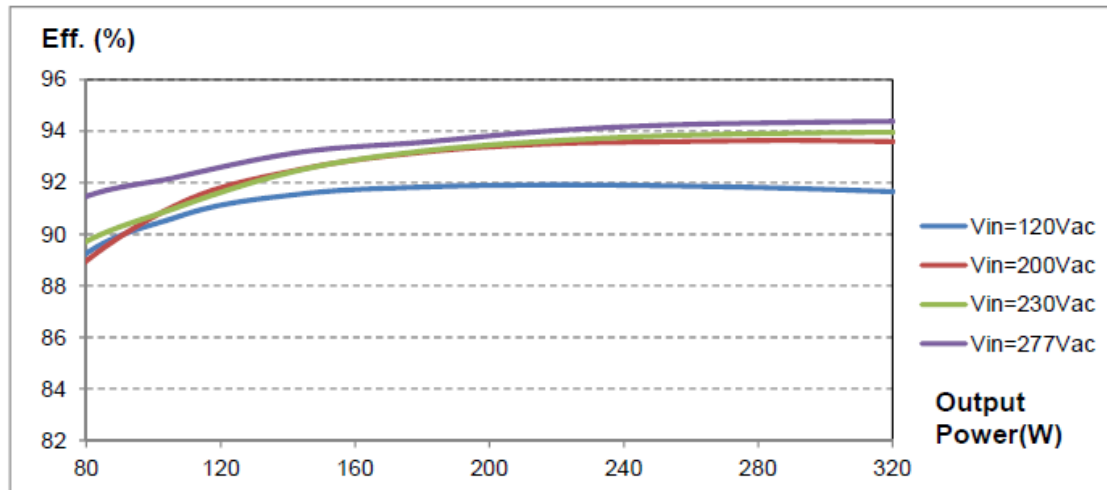
Technical Sales / Customer Service: +1-818-338-7788 • Email: sales@autec.com
 31328 Via Colinas Suite 102 • Westlake Village, CA 91362 USA • www.autec.com

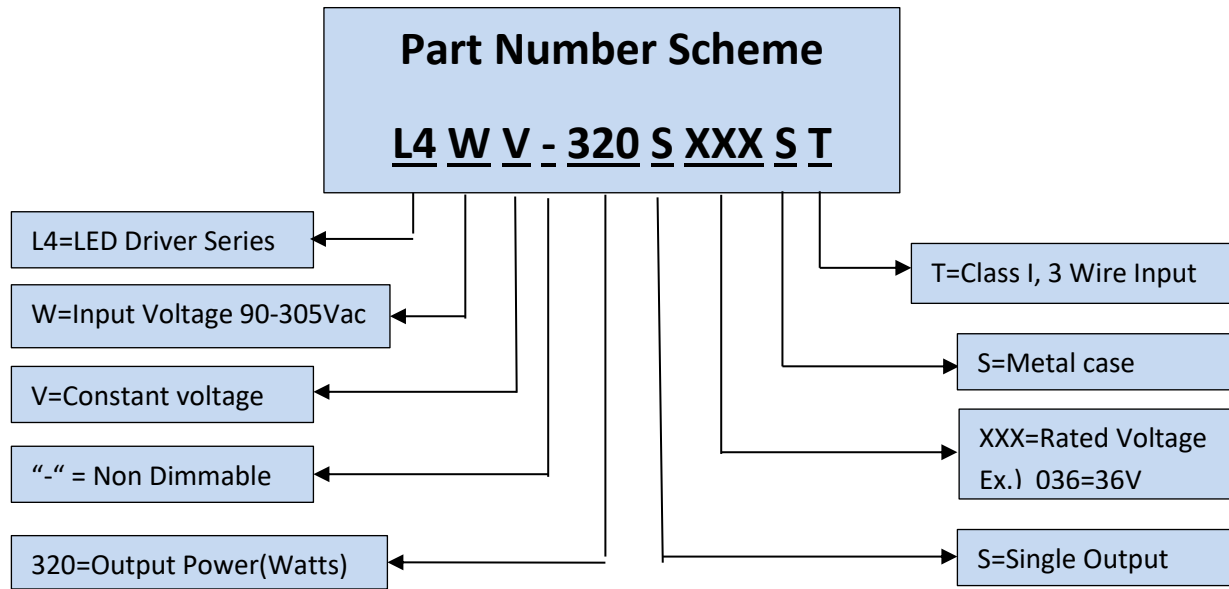
■ **THD vs. Output Power**

(@ 25°C)



■ **Efficiency vs. Output Power**





***Product images are for illustrative purposes only and may vary from actual design.**

***Specifications are subject to change without notice. Autec is not responsible for issues arising from errors or omissions.**