



*Product images are for illustrative purposes only and may vary from actual design.

■ **Features**

- Power Rating: 75W
- Input Voltage: 90-305Vac
- Constant Voltage design
- Output current (0mA-1800mA)
- Efficiency up to 90%
- UL Class 2 Output
- Lightning, OVP, SCP, OTP & Open Circuit Protection
- IP67
- 7-year warranty
- Surge Protection: Line to line 4kV, Line to Earth 4kV

■ **Application**

- Outdoor LED lights
- Street lights, high bay and low bay lights, LED panels

■ **Model List***(See part number scheme for model number details)

Model Number	Input Voltage Range	Output Power	Output Voltage	Output Current Min.	Output Current Max.	Efficiency	Certification
L4WV-075S040ST	90-305Vac	75W	40V	0mA	1800mA	90%	UL/cUL

■ **Technical Data**

Input voltage range	90-305Vac
Frequency	47-63Hz
Power factor	> 0.95 @115Vac & 80~100% Full load, > 0.90 @277Vac & 80~100% Full load
Output voltage	40V
Output power	75W
Max. Current ripple	N/A
Max. Voltage ripple	±0.5%
Max input current	1.0A

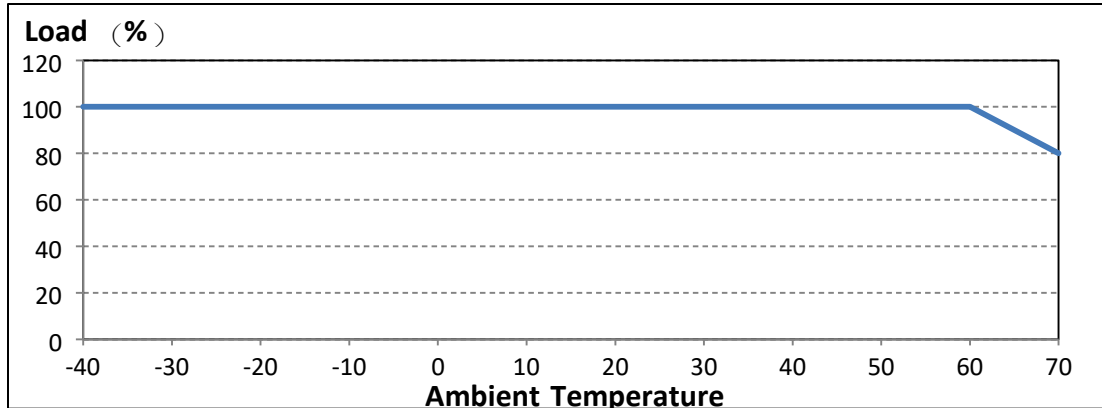
■ **Technical Data(cont.)**

Max input Power	85.5W
Efficiency	90%
Max. open circuit voltage	50V
Dimming	N/A
THD	<20% @ 120Vac & 80~100% full load, <20% @ 277Vac & 80~100% full load
Output Current	0-1800mA
Protection	OVP, SCP, OTP, and open circuit protection
Environmental Protection	UL Dry and Damp and Wet, and Type TL
Working Temperature	-40~+70°C
Max Case Temperature	90°C
Surge Protection	Line to line 4kV, Line to Earth 4kV
ANSI Surge Type	1.2/50µs Combination Wave (w/t 2Ω)
Isolation (Primary to Secondary)	3750Vac/10maMax/60 seconds
Dimension	227x49x40.5 mm (8.94x1.93x1.59 inch)
Mounting length	240 mm (9.45 inch)
Overall length	253 mm (9.96 inch)
Weight	0.87 kg (1.91 lb)
Lifetime	>70,00 hours @full load, 75°C Tcase

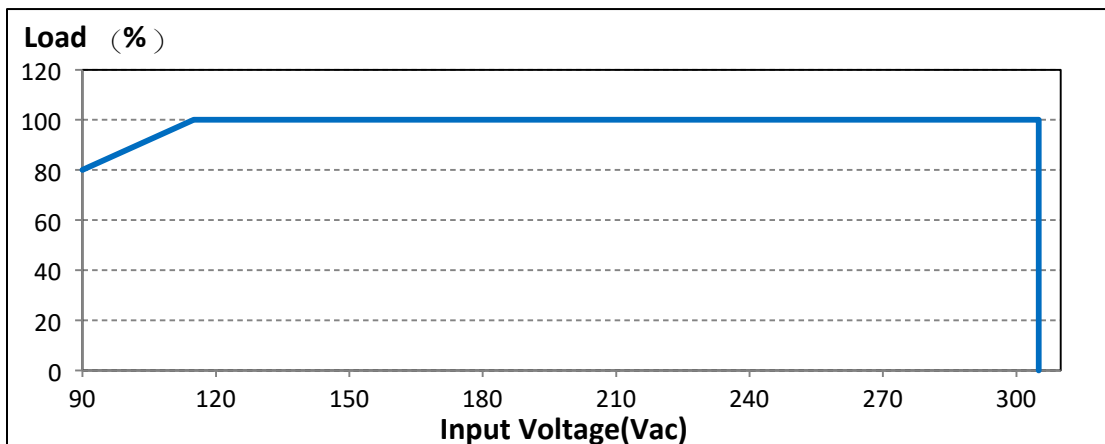
■ **Safety Compliance**

Safeties	UL1310 class 2
Electromagnetic Compliance	Per Title 47 CFR Part 15 Class B

■ **Derating Curve**

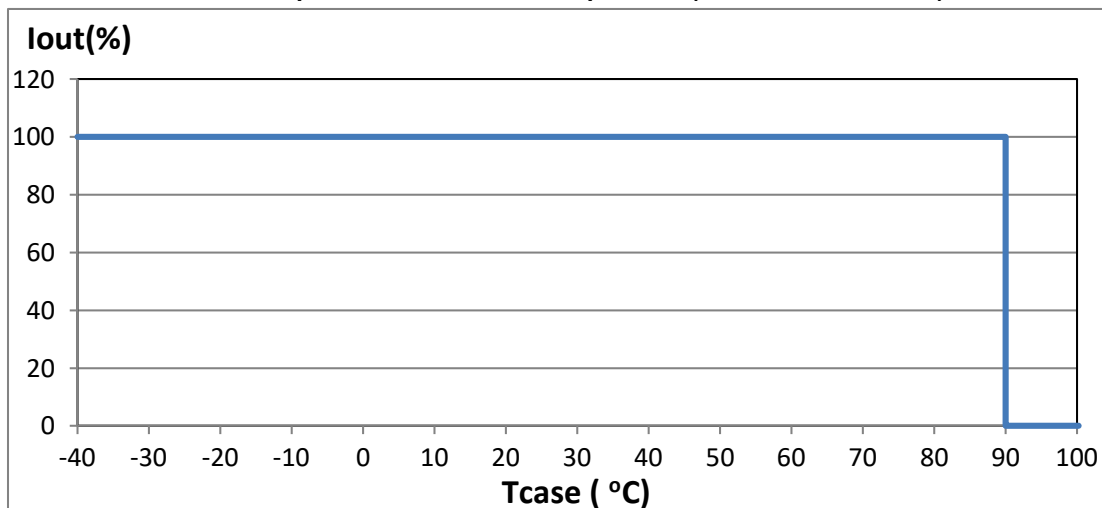


■ **Static Characteristics**

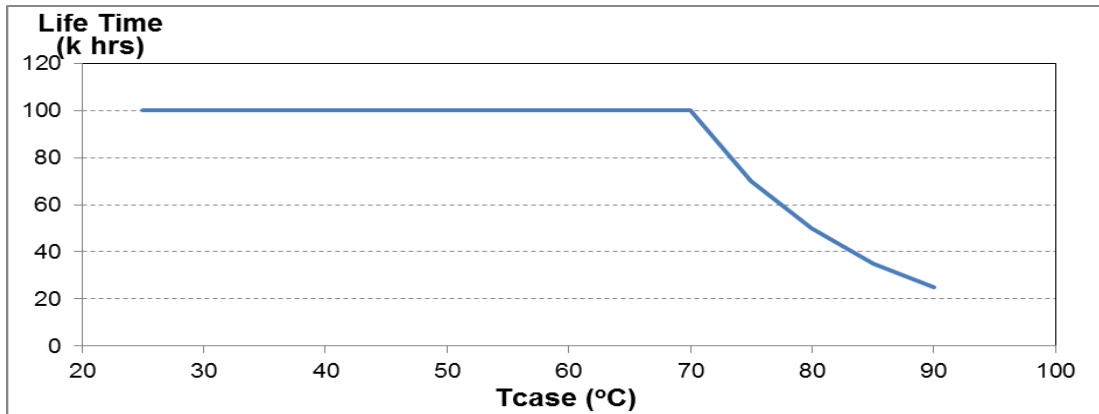


■ **Electrical Specifications**

Output Current vs. Case Temperature (with $\pm 5^\circ\text{C}$ Tolerance)

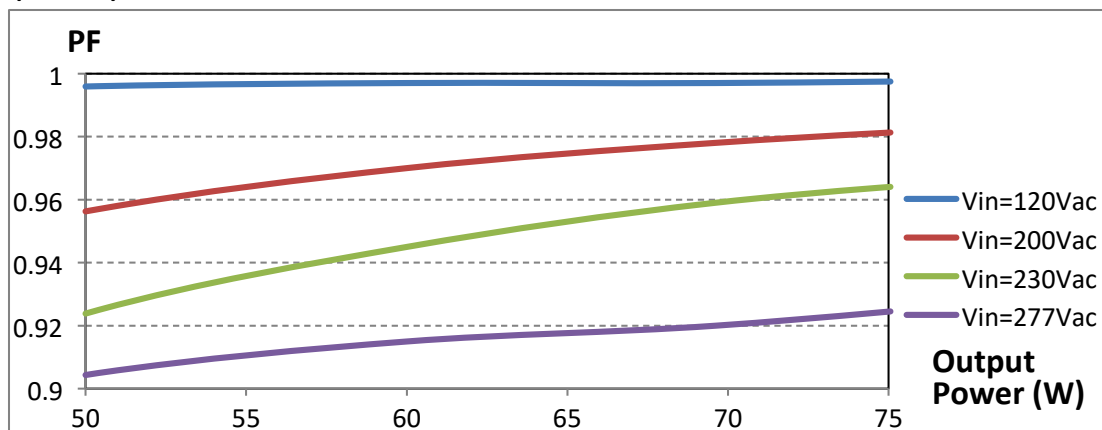


■ Lifetime vs Case Temperature



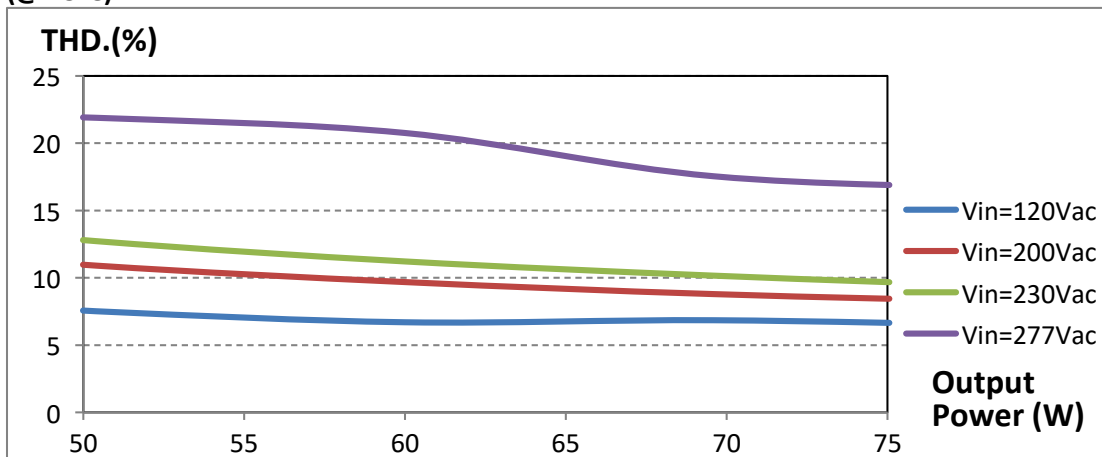
■ Power Factor vs. Output Power

(@ 25°C)

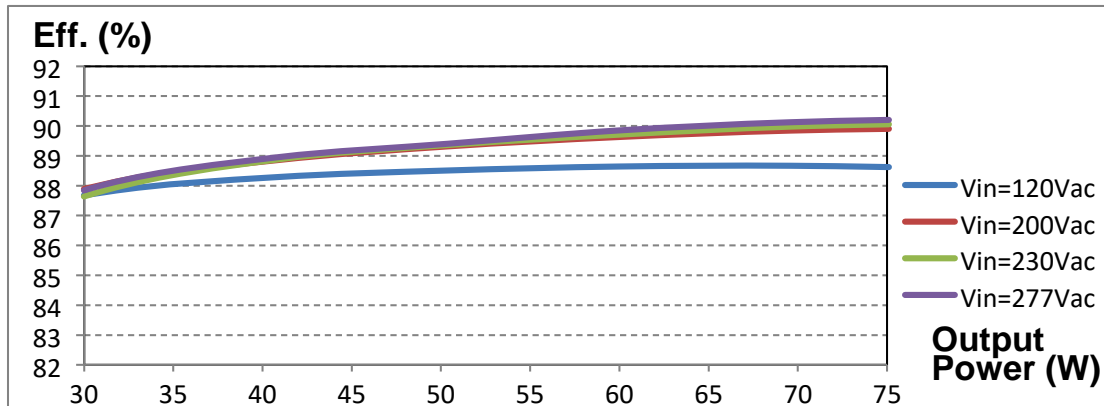


■ THD vs. Output Power

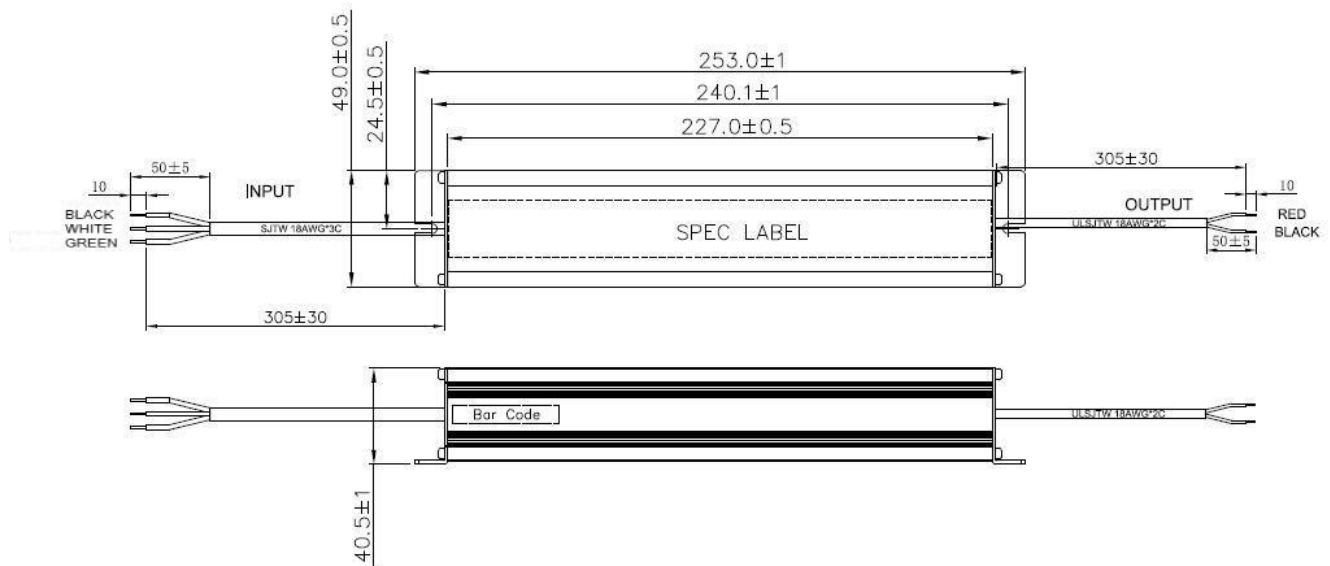
(@ 25°C)



■ Efficiency vs. Output Power

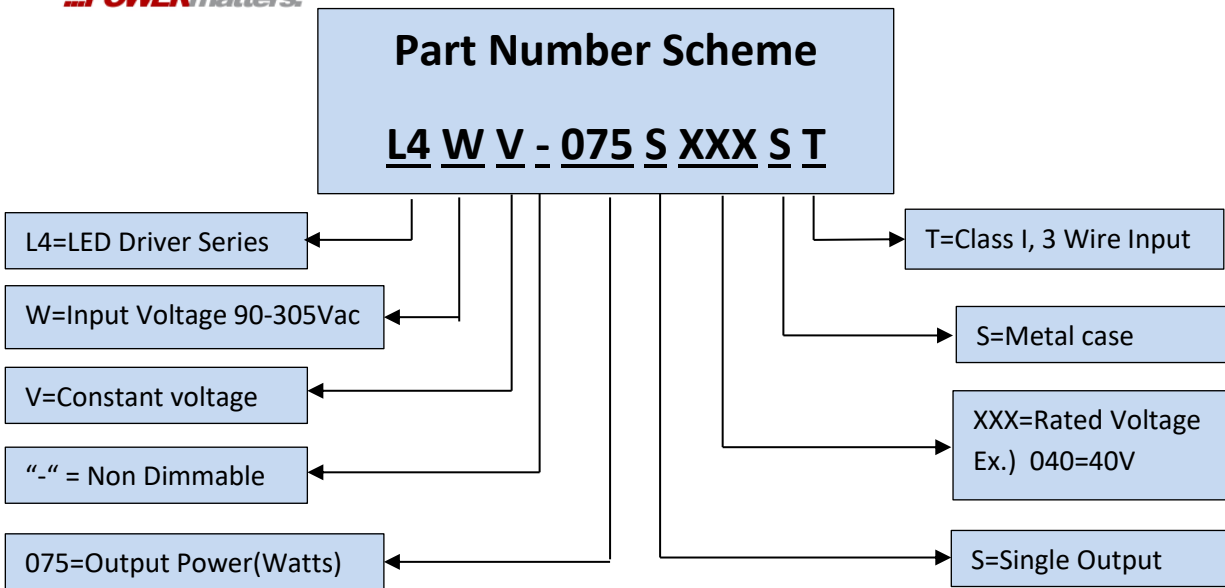


■ Mechanical Design



- Notes: 1. Outline Dimension: 253*49*40.5
2. Input and Output Connector and Pin Assignment

Input Wire	3/#18AWG	L= Black, N=White, GND=Green
Output	2/#18AWG	V+ is Red, V- is Black



***Product images are for illustrative purposes only and may vary from actual design.**

***Specifications are subject to change without notice. Autec is not responsible for issues arising from errors or omissions.**