

■ **Features**

- Power Rating: 100-135W
- Input Voltage: 90-305Vac
- Constant current design
- Output current (2100mA-4200mA)
- Fixed output current
- Efficiency up to 90%
- Compatible with 0-10V dimming
- UL Class 2 Output
- Lightning, OVP, SCP, OTP & Open Circuit Protection
- IP67
- 7-year warranty
- Surge Protection: L-N 2kV, L/N-Earth 4kV



*Product images are for illustrative purposes only and may vary from actual design.

■ **Application**

- Outdoor LED Lights
- Street lights, high bay and low bay lights, LED panels

■ **Model List***(See part number scheme for model number details)

Model Number	Input Voltage Range	Output Power	Output Voltage	Output Current Min.	Output Current Max.	Efficiency	Certification
L4WCD100S210ST	90~305Vac	100W	30-45V	2100mA	2100mA	90%	UL/cUL
L4WC-100S210ST	90~305Vac	100W	30-45V	2100mA	2100mA	90%	UL/cUL
L4WCD135S315ST	90~305Vac	135W	24-42V	3150mA	3150mA	90%	UL/cUL
L4WC-135S315ST	90~305Vac	135W	24-42V	3150mA	3150mA	90%	UL/cUL
L4WCD135S420ST	90~305Vac	135W	24-32V	4200mA	4200mA	90%	UL/cUL
L4WC-135S420ST	90~305Vac	135W	24-32V	4200mA	4200mA	90%	UL/cUL

*(D=dimming/"-="non dimming)

■ **Technical Data**

Input voltage range	90-305Vac
Frequency	47-63Hz
Power factor	> 0.95 @115Vac & 80~100% full load, > 0.90 @277Vac & 80~100% full load
Output voltage	24-45V
Output power	100W, 135W
Max. Current ripple	200mA
Max input current	1.6A, 1.8A

Technical Sales / Customer Service: +1-818-338-7788 • Email: sales@autec.com
31328 Via Colinas Suite 102 • Westlake Village, CA 91362 USA • www.autec.com

■ **Technical Data(cont.)**

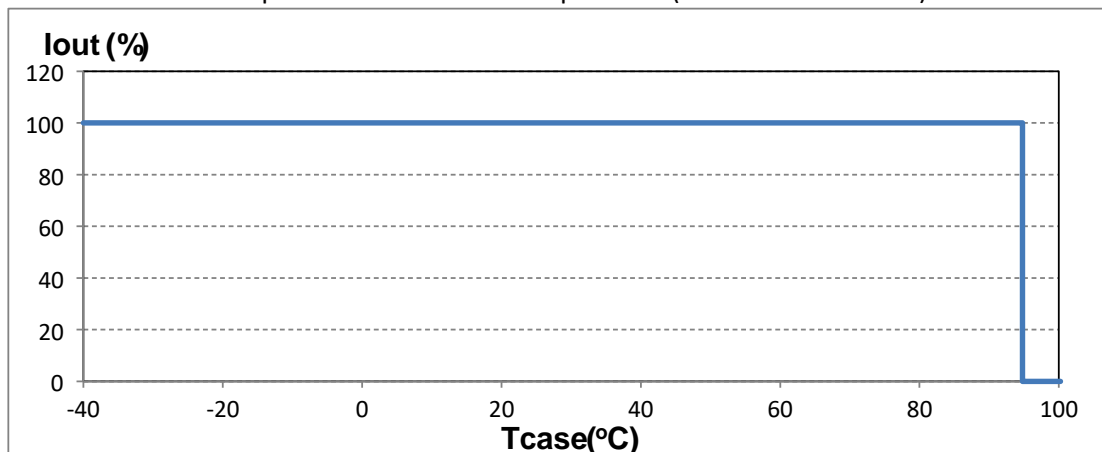
Max input Power	116W, 156W
Dimming	D Version: 0-10V Dimming
Efficiency	90%
Max. open circuit voltage	48V, 45V, 35V
THD	< 20% @120- 277Vac & 80~100% full load
Protection	OVP, SCP, OTP, and Open Circuit Protection
Environmental Protection	UL Dry &Damp and wet
Working Temperature	-40~+70°C
Max Case Temperature	90°C
Surge Protection	L-N 2kV, L/N-Earth 4kV
ANSI Surge Type	1.2/50µs Combination Wave (w/t 2Ω)
Isolation (primary to Secondary)	3750Vac/10maMax/60 seconds
Dimension	230x49x40.5 mm (9.06x1.93x1.59 inch)
Mounting Length	243mm (9.57 inch)
Overall Length	258 mm (10.16 inch)
Weight	1.0 kg (2.2 lb)
Lifetime	100,000 hours @ full load, 70°C Tcase
Packing	1.0 kg; 18 units/carton; 27 cartons/pallet

■ **Safeties**

Safeties	UL8750
Electromagnetic Compliance	Per Title 47 CFR Part 15 Class B

■ **Electrical Specifications*(L4WCD135S210ST @25°C)**

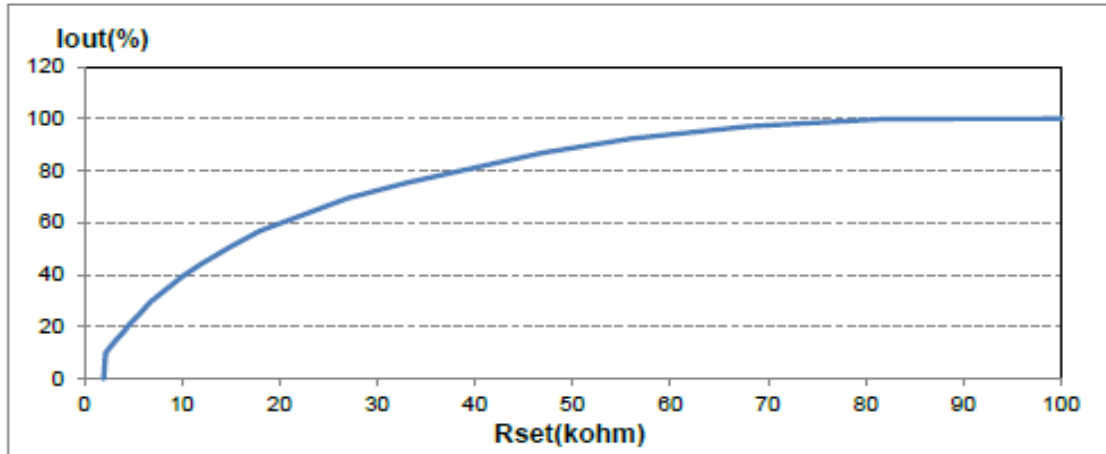
Output Current vs. Case Temperature (with ±5°C Tolerance)



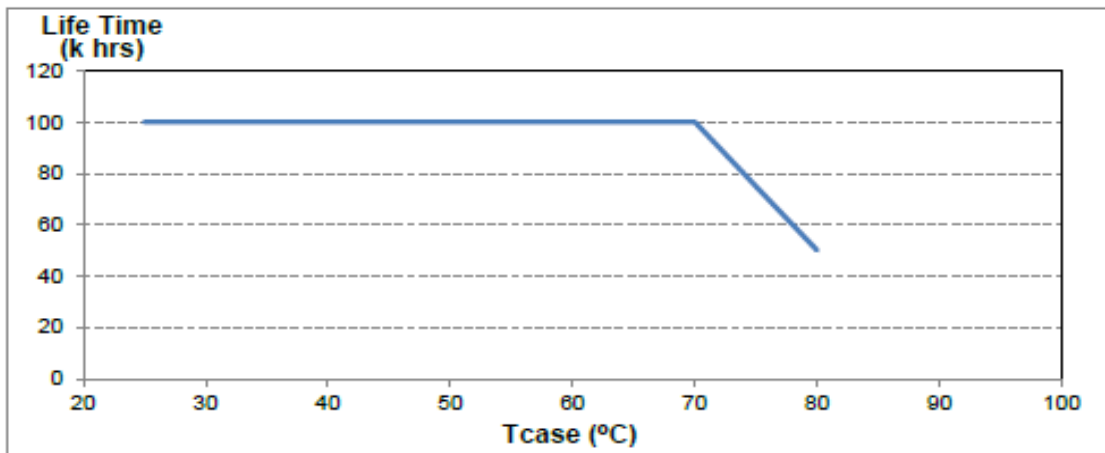
Technical Sales / Customer Service: +1-818-338-7788 • Email: sales@autec.com
 31328 Via Colinas Suite 102 • Westlake Village, CA 91362 USA • www.autec.com

■ **Electrical Specifications(cont.)**

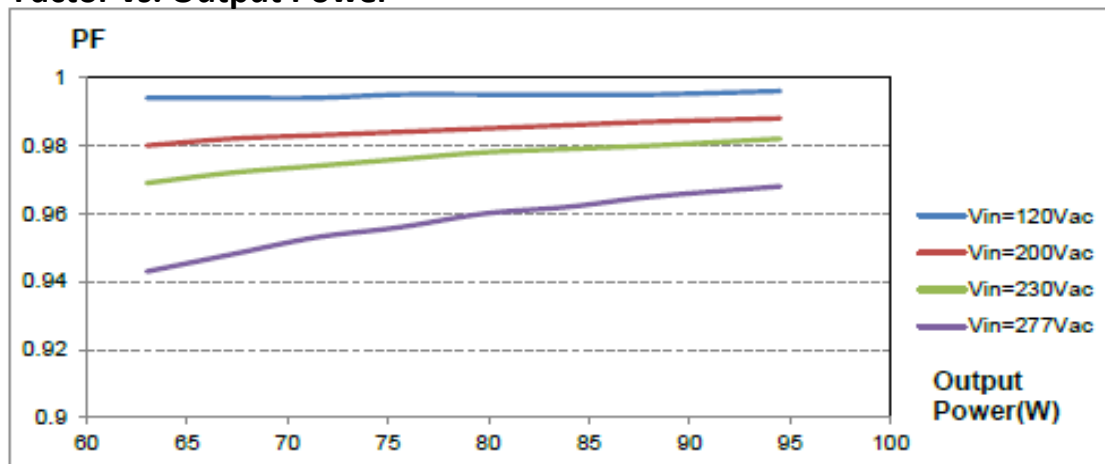
Output Current vs. External Setting Resistor



■ **Lifetime vs Case Temperature**

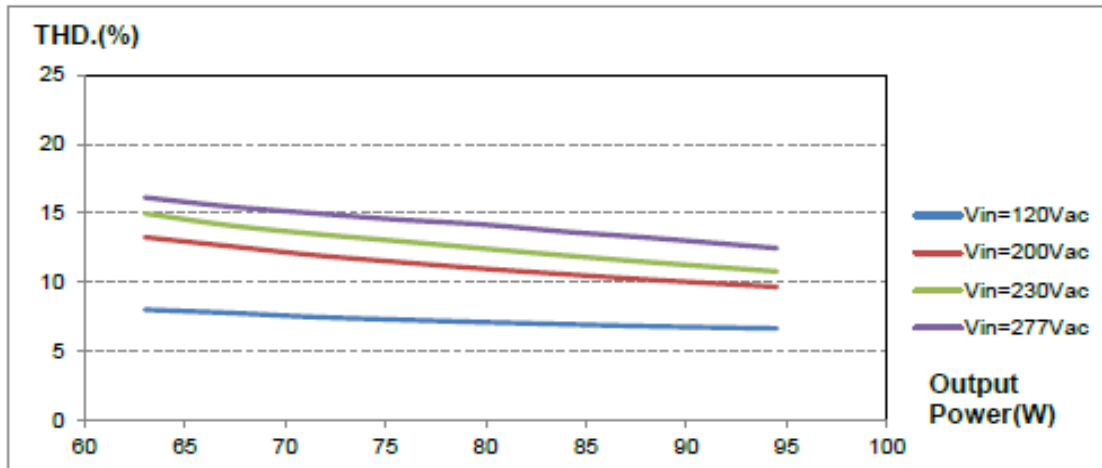


■ **Power Factor vs. Output Power**

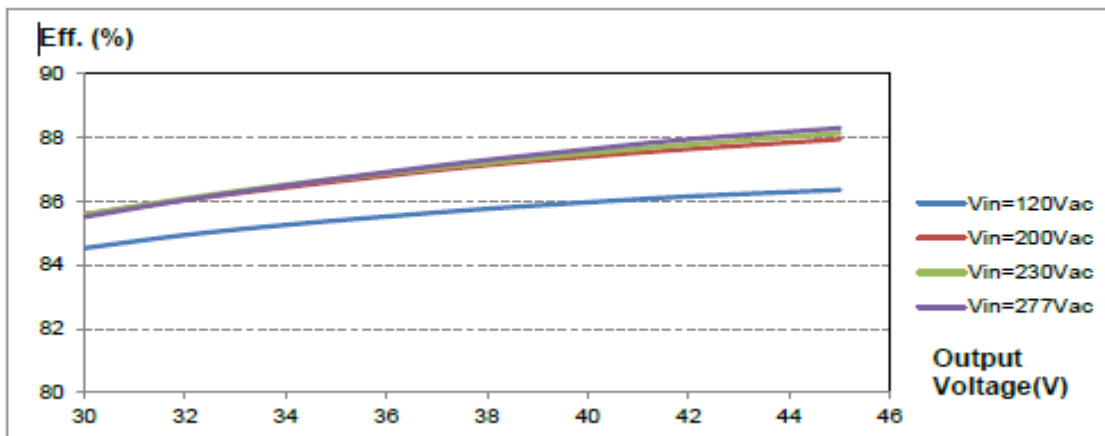


Technical Sales / Customer Service: +1-818-338-7788 • Email: sales@autec.com
 31328 Via Colinas Suite 102 • Westlake Village, CA 91362 USA • www.autec.com

■ THD vs. Output Power

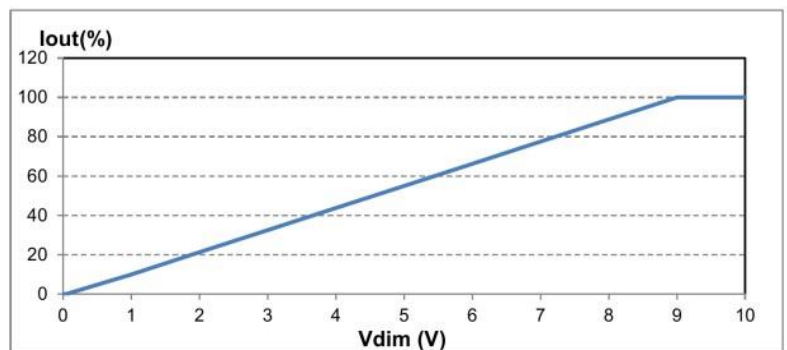
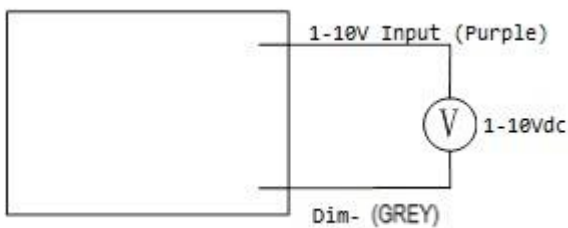


■ Efficiency vs. Output Power



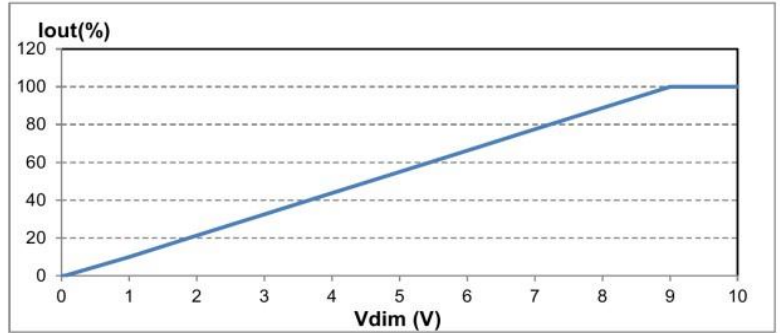
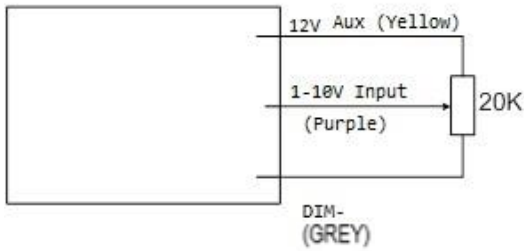
■ Dimming

Mode 1 : 1-10Vdc Input on Dimming Control



■ **Dimming(cont.)**

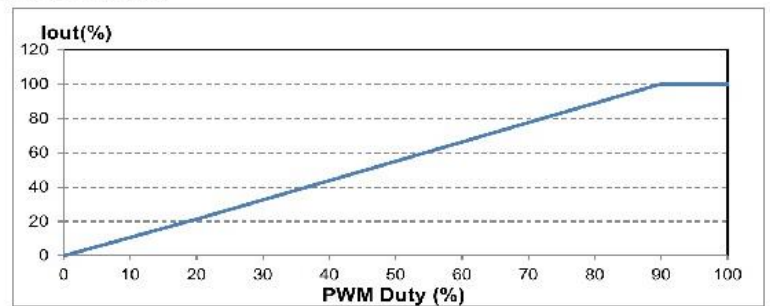
Mode 2 : Potentiometer on Dimming Control



Mode 3 : PWM Signal on Dimming Wires



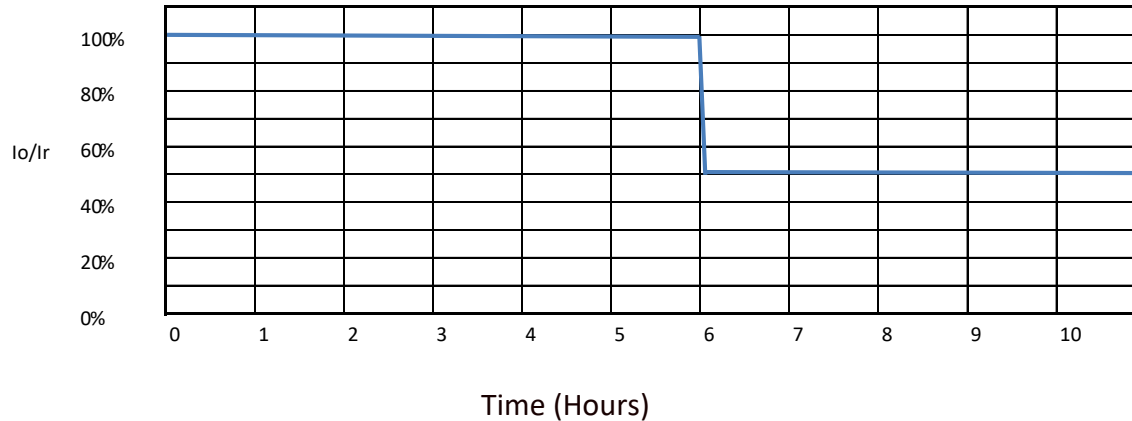
I_o/I_r vs PWM Duty



Parameter	Values	Conditions
Input Voltage	0~10 V	Purple wire.
Input Current	10 mA	
PWM Frequency	0.5 ~ 3 kHz	
PWM Pulse Width	10%~100%	

■ Dimming(cont.)

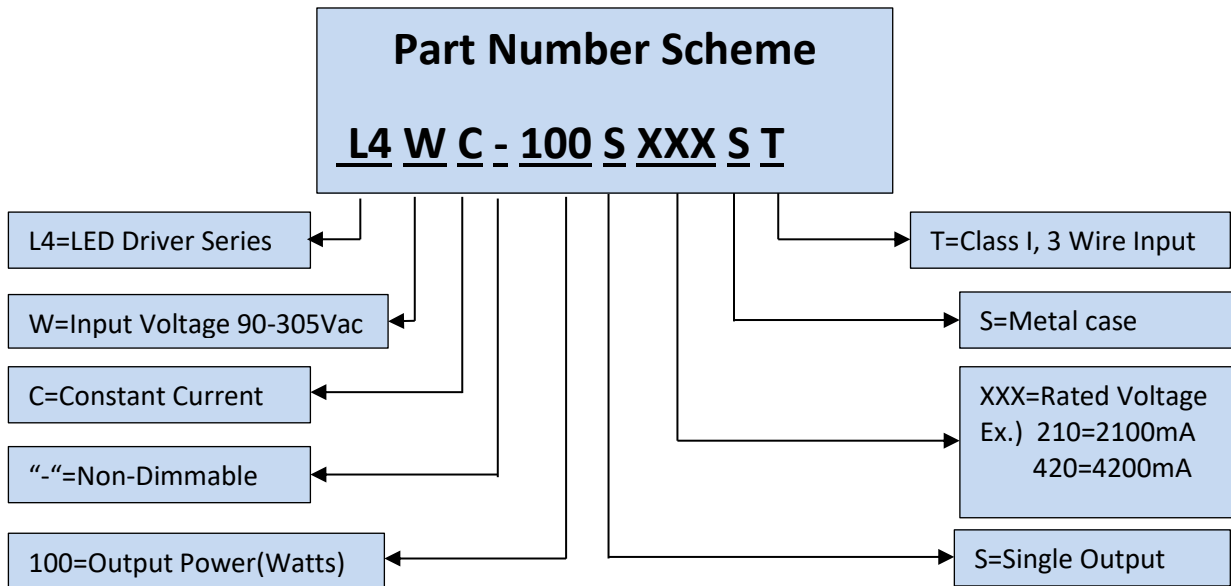
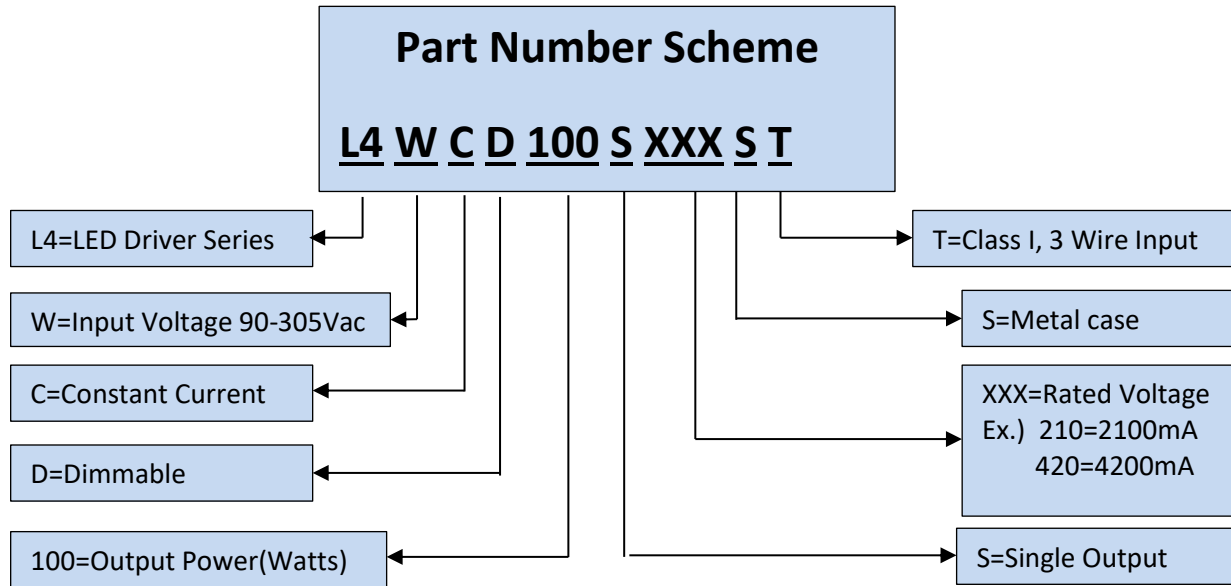
Mode 4 : Timer Dimming (Does not require dimming wires)

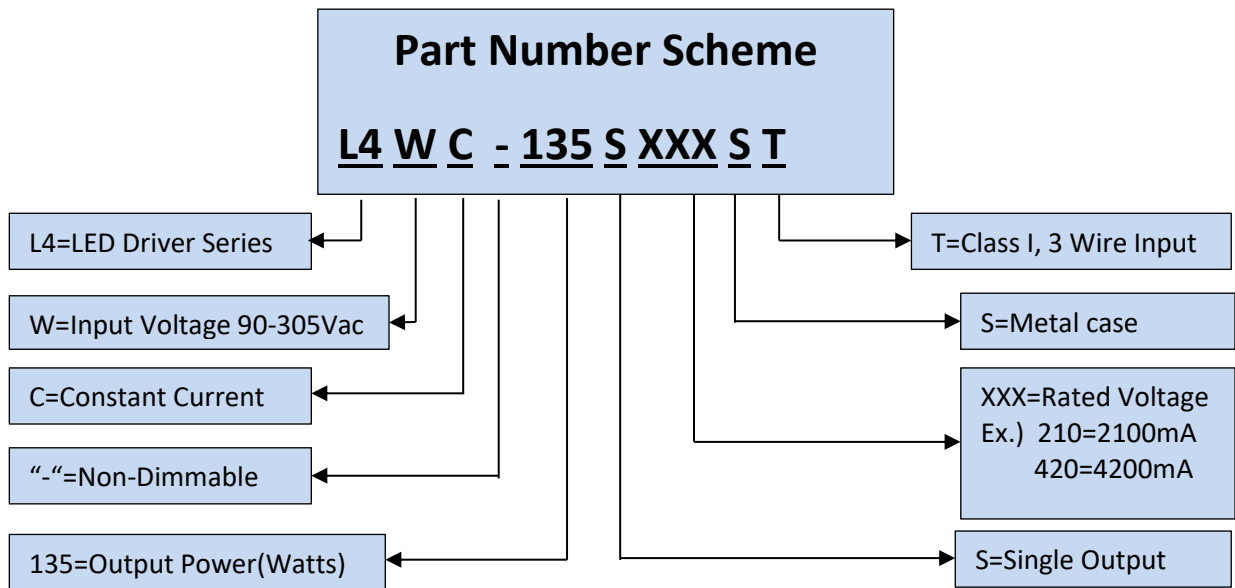
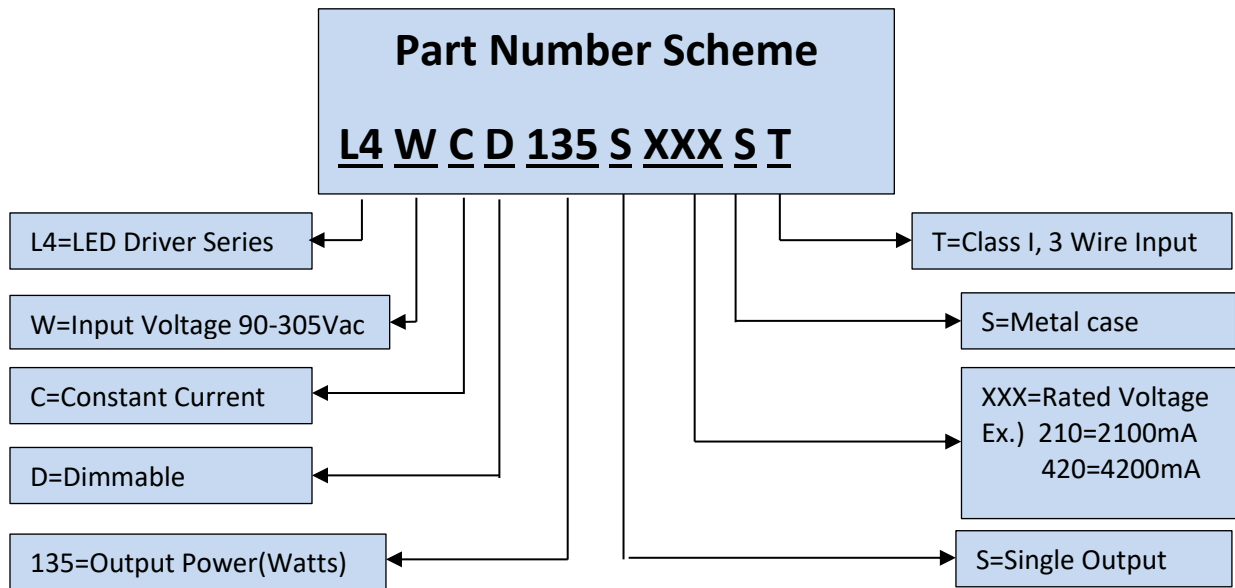


Standard power/time combination above, can be factory set to customer specification. Recycle AC to restart timer.

NOTE:

1. If the dimming function is not used, cap the dimming wires and don't use them.
2. I_o is actual output current and I_r is rated current without dimming control.
3. For the driver to operate properly, the load voltage must be maintained above the minimum voltage threshold, approximately 50% of the max. output voltage for any given mode.
4. The dimming signal can be less than 1V, when it is 0-1V, the output current can maintain about 10% I_r , however, the connected LEDs may flicker. Maintain dimming voltage greater than 1V in the application is strongly recommended.
5. Pulse width less than 10% will cause the driver to work improperly.





***Product images are for illustrative purposes only and may vary from actual design.**

***Specifications are subject to change without notice. Autech is not responsible for issues arising from errors or omissions.**

Technical Sales / Customer Service: +1-818-338-7788 • Email: sales@autech.com
31328 Via Colinas Suite 102 • Westlake Village, CA 91362 USA • www.autech.com