

■ Features

- Power Rating: 3-12W programmable output range
- Input Voltage: 90-305Vac
- Constant current design
- Output current (100mA-1500mA)
- Output current programmable with Near Field Communication controller
- Efficiency up to 83%
- Compatible with 0-10V, PWM, Timer, Dim-to-off option. Dimming 5-100%, 12V/20mA AUX
- UL Class 2 Output
- Lightning, OVP, SCP, OTP, & Over Current Protection
- IP67
- 5-year warranty
- Surge Protection: Diff: 2kV, Common: 2kV



*Near Field Communication controller



*Product images are for illustrative purposes only and may vary from actual design.

■ Application

■ Model List*(See part number scheme for model number details)

Model Number	Input Voltage Range	Output Power	Output Voltage	Output Current Min.	Output Current Max.	Efficiency	Certification
L2WCP012S150PS	90-305Vac	12W	5-15V	200mA	1500mA	82%	UL/cUL
L2WCP012S050PS	90-305Vac	12W	15-45V	100mA	500mA	83%	UL/cUL

■ Technical Data

Input voltage range	90-305Vac
Frequency	47-63Hz
Power factor	> 0.99 @115Vac & 80~100% Full load, > 0.95 @230Vac & 80~100% Full load
Output voltage	5-45V
Output power	12W
Ripple and Noise	2.0%Vo
Max input current	0.13A
Max input Power	26W
Efficiency	82%-83%
Line Regulation	± 5%
Load Regulation	± 3%
Inrush Current	65A @ 230Vac cold start +25°C

Technical Sales / Customer Service: +1-818-338-7788 • Email: sales@autec.com
 31328 Via Colinas Suite 102 • Westlake Village, CA 91362 USA • www.autec.com

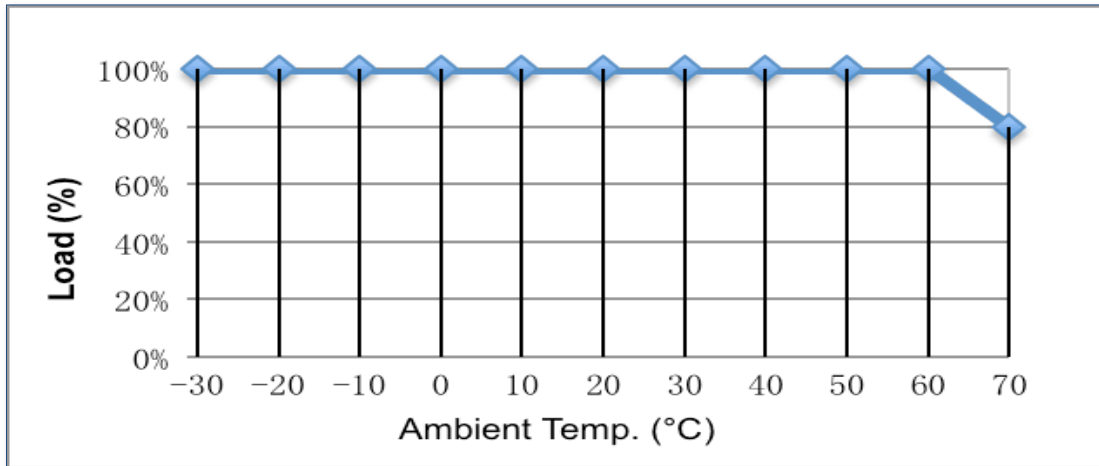
■ **Technical Data(cont.)**

Dimming	0~10V/ PWM/ Timer, Dim-to-off option
Dimming Range	5~100%
THD	< 20% @120/277Vac & 80~100% load condition
Current Programmable	Yes
Output Current Programmable Range	100-1500mA
Over Current Protection	Protection type: Constant current limiting, recovers automatically after fault condition is removed
Short Current Protection	Hiccup mode, recovers automatically after fault condition is removed
Over Voltage Protection	1.3Vo, Protection type: Hiccup mode, recovers automatically after fault condition is removed
Over Temp. Protection	Hiccup mode, recovers automatically after fault condition is removed
Working Temperature	-35~+70°C
Working Humidity	10 ~ 100% RH non-condensing
Storage Temp., Humidity	-40 ~ +85°C, 5 ~ 100% RH
Temp. Coefficient	±0.05%/°C (0~50°C)
Dimensions	58x87.5x30 mm (2.28x3.44x1.18 in)
Mounting length	67mm (2.63 in)
Vibration	10 ~ 500Hz, 5G 12min./1cycle, period for 72min. each along X, Y, Z axes
Packing	25pcs/carton
Weight	200.0g

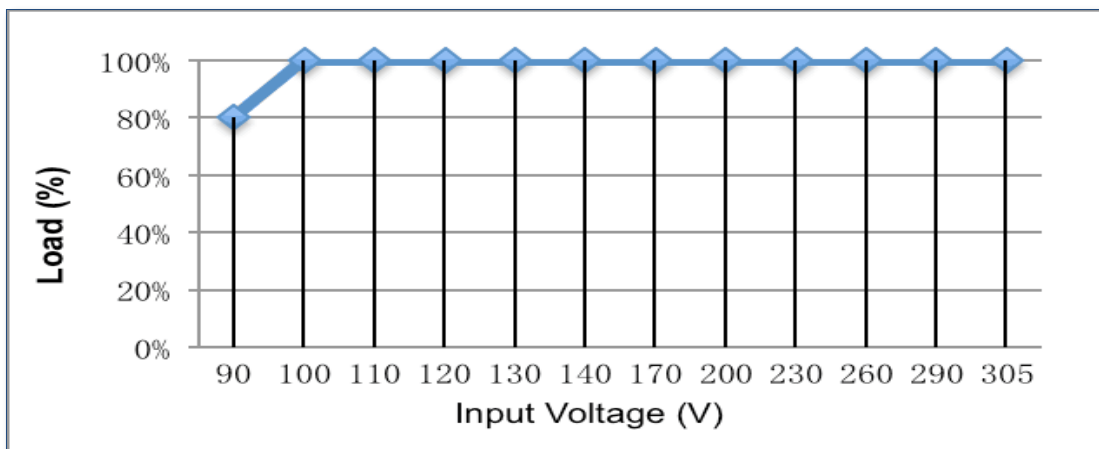
■ **Safety Compliance**

Safety Standards	UL8750, UL935, UL1012, CSA-C22.2 No.107.1, EN61347-1, EN61347-2-13
Withstand Voltage	I/P – O/P: 3.75kVAC
Isolation Resistance	I/P – O/P: 100M Ohms / 500VDC / 25°C / 70% RH
EMC Emission	Compliance to EN55015, EN61000-3-2 Class C (≥60% load); EN61000-3-3
EMC Immunity	Compliance to EN61000-4-2,3,4,5,6,8,11; EN61547, EN55024

■ Derating curve



■ Static Characteristics



■ Near Field Communication Controller



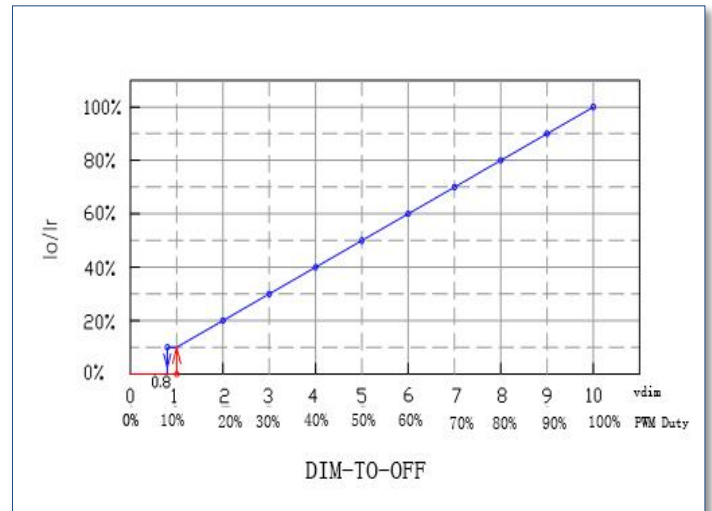
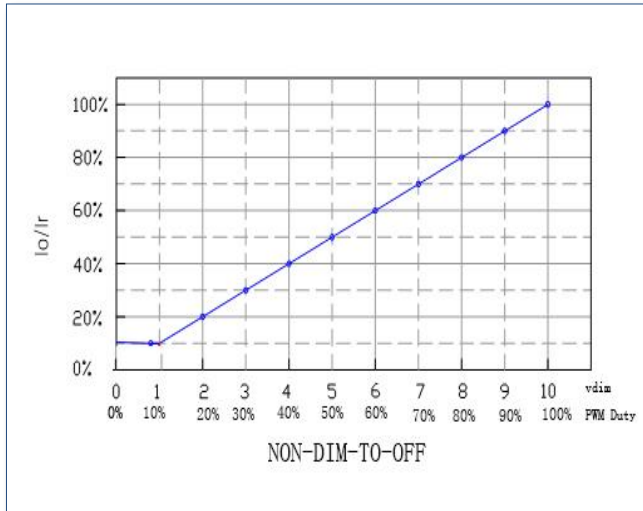
NOTE:

1. The Near Field Communication controller can program the output current, voltage and timer delays.
2. The Near Field Communication programming is a non-contact process, therefore much safer compared to traditional programming methods.
3. Power devices can be programmed without AC power applied to the driver.

Technical Sales / Customer Service: +1-818-338-7788 • Email: sales@autec.com
31328 Via Colinas Suite 102 • Westlake Village, CA 91362 USA • www.autec.com

■ **Dimming**

0-10V Analog Dimming & PWM Dimming



DIM -	Grey
Dimming wire 0-10V&PWM	Purple
12V AUX	Yellow
Input Dimming Voltage	0-10V
DIM+ Source Current	0-1mA
12V AUX Source Current	20mA
PWM Frequency Range	1-10KHZ
PWM high level	10V

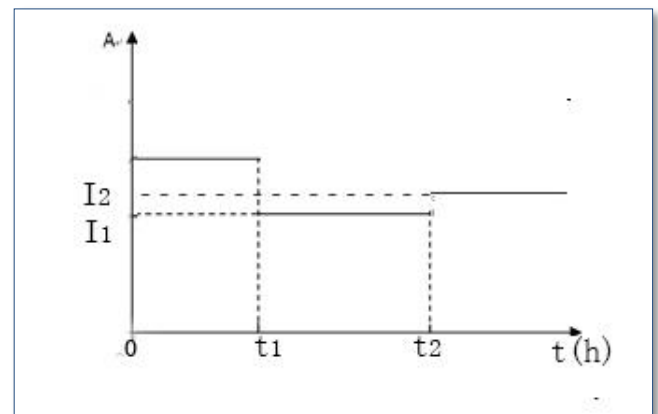
NOTE:

1. I_o is actual output current and I_r is rated current without dimming control.
2. For the driver to operate properly, the load voltage must be in the working voltage range.
3. We have DIM-TO-OFF option, which can be programmed by the programmer.
4. Maximum input voltage for the dimming wire is 12V.
5. AUX wire is only for source, can't connect to other voltage source.

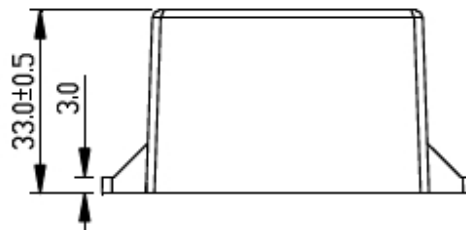
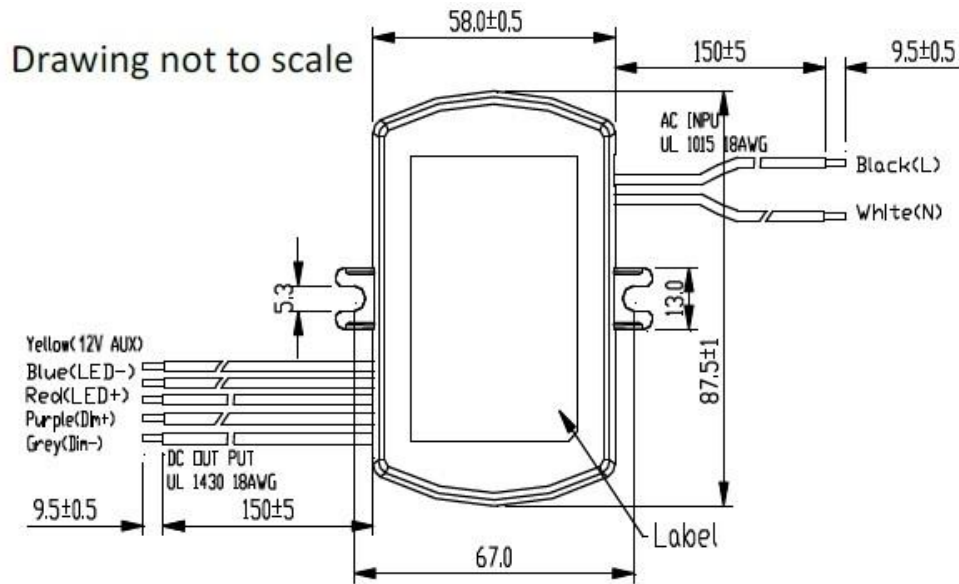
TIMER Dimming

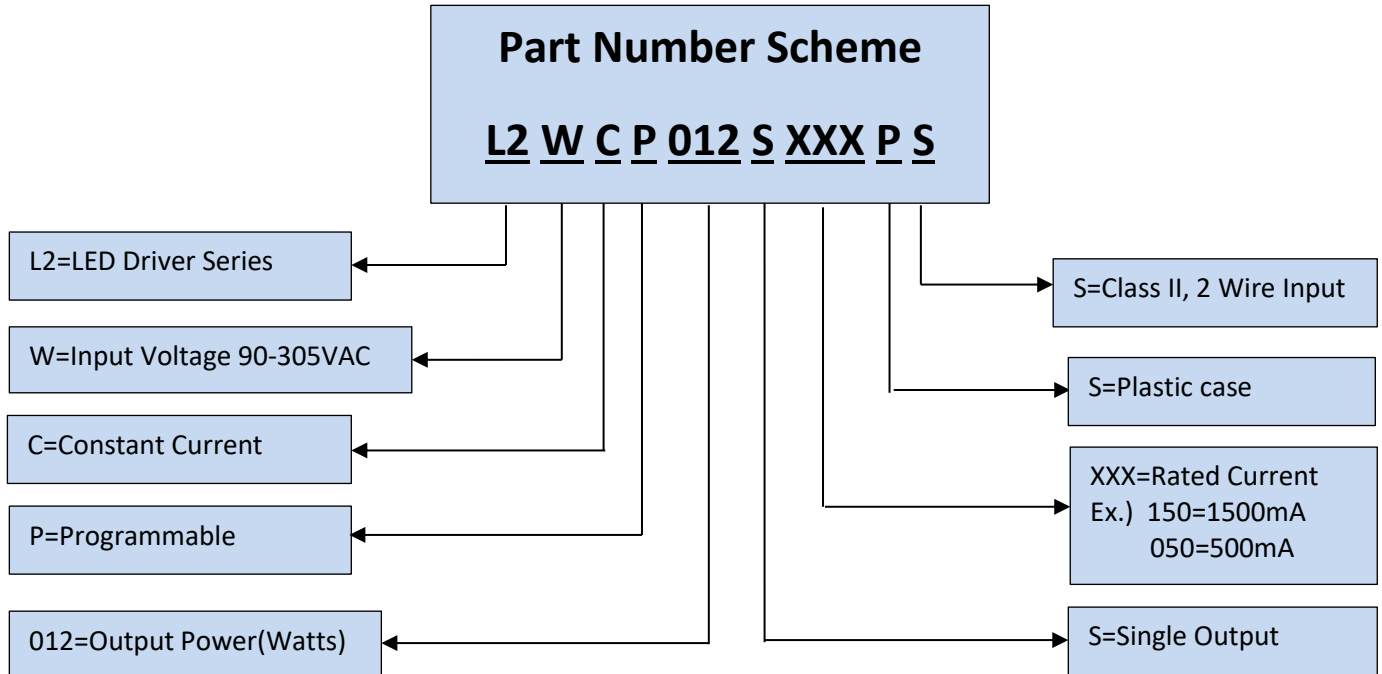
NOTE:

1. The dimming time can be programmed by the programmer.
2. The time of t_1 and t_2 can be set by the programmer.(0.5h step)
3. The value of I_1 and I_2 can be set by the programmer.
4. Changing the current from I_1 to I_2 may take a few min.



■ Mechanical Design





***Product images are for illustrative purposes only and may vary from actual design.**

***Specifications are subject to change without notice. Autec is not responsible for issues arising from errors or omissions.**