

Features:

- Universal AC input range
- Built-in Active PFC function, PF>0.93
- Miniature size, high power density, high efficiency, long life and high reliability
- Withstand 300VA surge input for 5 secs.
- Output protections: OLP/SCP/OPP
- Wide operating ambient temp (-20°C~60°C)
- All using 105°C long life electrolytic capacitors.
- 100% full load burn-in test
- Easy assembling from top side
- PCB soldering side with conformal coating
- Suitable for critical applications
- 3 years warranty

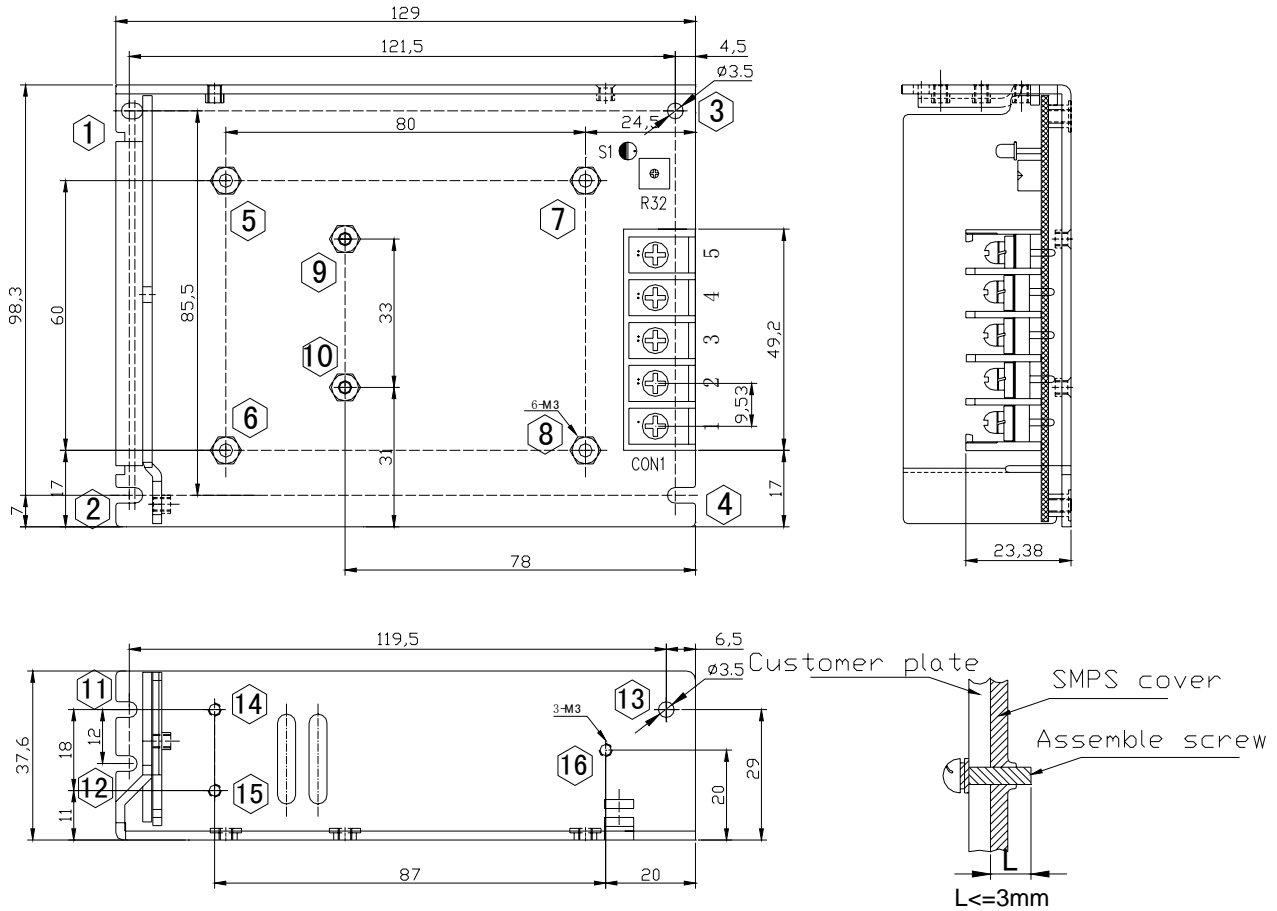


SPECIFICATION

MODEL		SPL-100-1051	SPL-100-1121	SPL-100-1241	SPL-100-1481	
OUTPUT	DC Output	5V	12V	24V	48V	
	Rated Current	20A	8.5A	4.2A	2.2A	
	Current Range <small>Note 1</small>	0~20A	0~8.5A	0~4.2A	0~2.2A	
	Ripple and Noise <small>Note 2</small>	0~70°C	≤150mV	≤150mV	≤150mV	≤150mV
		-20~0°C	≤150mV	≤150mV	≤150mV	≤200mV
	Voltage ADJ. Range	3.3V—5.5V	10~15V	21~27V	43.2~52.8V	
	Voltage Accuracy	±2.0%	±2.0%	±1.0%	±1.0%	
	Line Regulation	±0.5%	±0.5%	±0.5%	±0.5%	
	Load Regulation	±2.0%	±2.0%	±1.0%	±1.0%	
	Set-up Time	≤4S @115Vac, ≤2S @230Vac				
	Hold up Time	≥12mS (230Vac input, Full load)				
	Temperature Coefficient	±0.03%/°C				
Overshoot and Undershoot	<5.0%					
INPUT	Voltage Range	90Vac~264Vac				
	Frequency Range	47Hz~63Hz				
	Power factor (typical)	PF>0.98@115Vac, PF>0.93@230Vac				
	Efficiency (Typical) 230Vac input	≥84%	≥87%	≥88%	≥88%	
	AC Current (max.)	<1.5 A				
	Inrush Current (Typical)	<30@115Vac, <50A@230Vac Cold start				
	Leakage Current	Input—output: ≤0.25mA Input—PG: ≤3.5mA				
PROTECTION	Over Load	110%~150% of rated output current, hiccup mode, auto recovery				
	Over power	110%~150% of rated output current, hiccup mode, auto recovery				
	Short Circuit	Long-term mode, auto recovery				
ENVIRONMENT	Operating amb. Temp. & Hum.	-20°C~60°C; 20%~90%RH No condensing (refer to the derating curve)				
	Storage Temp. & Hum.	-30°C~85°C; 10%~95%RH No condensing				
SAFETY & EMC <small>Note 3</small>	Safety Standards	UL60950-1 2 nd Ed; IEC 60950-1:2005(2 nd Ed); EN60950-1:2006				
	Withstand Voltage	Primary-Secondary:3.0KVac; ≤10mA .Primary-PG:1.5KVac; ≤10mA. Secondary-PG:0.5KVDC; ≤10mA.				
	Isolation Resistance	100M ohms				
	EMS Emission	Compliance to EN55022 Class B				
	Harmonic Current	Compliance to EN61000-3-2, Class A				
	EMC Immunity	Compliance to EN61000-4-2,3,4,5,6,8,11; heavy industry level				
OTHERS	MTBF (MIL-HDBK-217F)	More than 200,000Hrs (25°C, Full load)				
	Dimension (L*W*H)	129×98.3×37.6mm				
	Packing	30PCS/CTN, 14.6KGS, 0.04CBM				
	Cooling method	Cooling by free air convection				
NOTE	<ol style="list-style-type: none"> All parameters NOT specially mentioned are measured at rated input, rated load and 25°C of ambient temperature. Measured at 20MHz of bandwidth The SMPS is considered a component which will be installed into final equipment. The equipment must be re-confirmed that it still meets EMC directives. 					

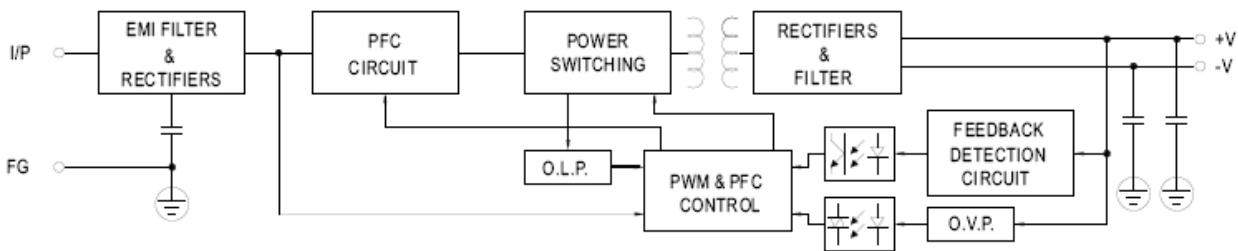
Mechanical Specification

Unit: mm (Tolerance is ± 1 mm)



Pin1---Pin5: L N GND -V +V

Block Diagram



Derating Curve

