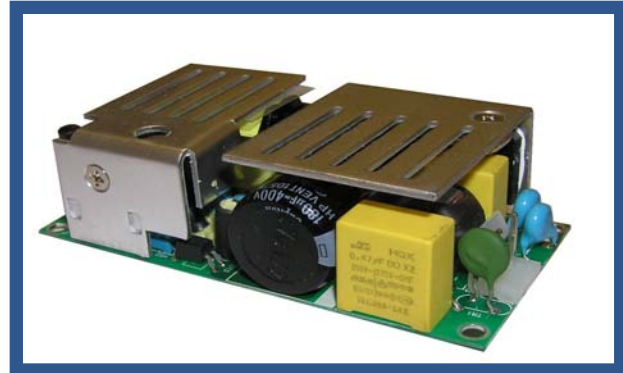


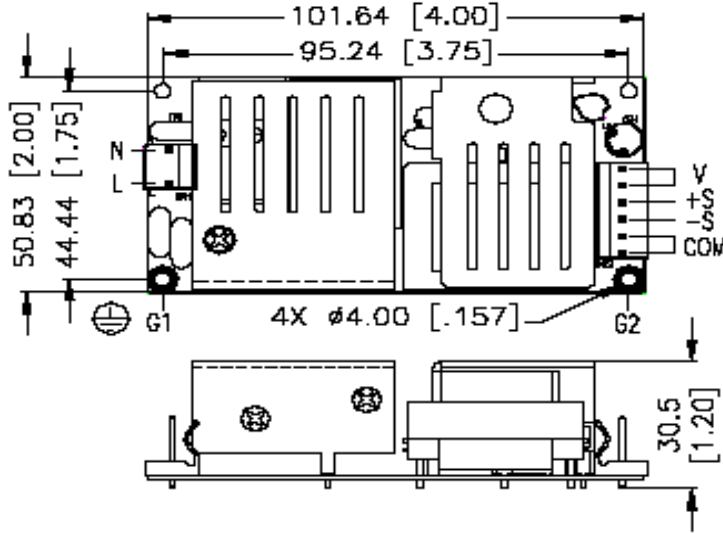
Features
5VDC to 48VDC in a 1VDC increment
Remote Sense
Low Profile
Wide Range Input
UL, CUL, CB & DEMKO (EN60959) Safety Approval
CE Compliant
2 X 4 form factor
Low cost unit



Specifications:

Model		SP75-10500	SP75-11200	SP75-11500	SP75-12400	SP75-13800	SP75-14800	SP75-15600
Output	DC Voltage Range (1)	5V	12V	15V	24V	38V	48V	56V
	Current Range	0 ~ 8A	0 ~ 6.25A	0 ~ 5A	0 ~ 3.12A	0 ~ 1.97A	0 ~ 1.56A	0-1.34A
	Rated Power	40W	75W	75W	75W	75W	75W	75W
	Ripple & Noise (max.) (2)	1% Pk to Pk						
	Voltage Adjustment Range	± 5%						
	Voltage Tolerance	±5%						
	Line Regulation	±1%						
	Load Regulation	±5%						
	Setup, Rise Time	All output shall reach their steady state values within 3 Sec. of turn on						
	Hold Time	20mS min.						
Input	Voltage Range	90V ~ 264VAC						
	Frequency Range	47Hz / 63Hz						
	Efficiency (Typ. @ 115V AC)	68%	75%	84%	85%	85%	85%	85%
	AC Current (max.)	2.0A @ 115VAC						
Protections	Inrush Current (max.)	Will not exceed 30A / 115VAC, Cold Start, 25°C						
	Short Circuit Protection	Protection type : Hiccup mode, recovers automatically after fault condition is removed						
	Over Load	>150% rated output power						
	Over Voltage	Protection type : Hiccup mode, recovers automatically after fault condition is removed						
Environmental	Temperature Range	Operational	0°C ~ 50°C					
		Storage	- 40°C ~ +80°C					
	Working Humidity	Operational	20 ~ 95% RH non-condensing					
		Storage	5 ~ 95% R.H					
	Temp.Coefficient	±0.01%/°C typical on all outputs						
Vibration	3G, 10-25Hz, 15min. Per cycle for each axis (X, Y, Z)							
Safety & EMC	Safety Standards	UL (60950-1:2001) , CUL, DEMKO and CB						
	Withstand Voltage	I/P - O/P: 3KVAC (4242 DC), 10mA for 1 minute						
	EMI Conduction & Radiation	EN55022, FCC Class B						
	EMS Immunity	EN61204, EN61000-3-2, EN61000-3-3						
Others	MTBF	150,000 hrs @ 25°C based on MIL-STD-217F						
	Dimension (L*W*H)	101.64*50.83*30.5 (mm) - 4.0*2.0*1.2 (inch)						
	Weight	0.18kg - 0.40Lb						

Mechanical Specification



PIN ASSIGNMENT		
	P1	P2
	Input	Output
PIN 1	Line	+V
PIN 2	NC	+V
PIN 3	Neutral	+ S (remote Sense)
PIN 4		-S
PIN 5		-V
PIN 6		-V
CONNECTOR	Molex 1063-4037	Molex 09-65-2065

SHIPPING SPECIFICATIONS				
Series	UNITS PER CARTON	CARTON WEIGHT		
SP75	72.0	13.27 Kgs	29.26 Lbs	
CARTON DIEMENSION		WIDTH	LENGTH	HEIGHT
Series	inch	16.00	16.00	10.00
SP75	mm	406.4	406.4	254.0

NOTES:

1. This family is from 5V to 56V in 1VDC increment, please consult Autec Sales with the right model # for your application.
2. Ripple & noise are measured at 20MHz of bandwidth by using a 12" twisted pair-wire terminated with a 0.1uf & 47uf parallel capacitor.
3. Tolerance: includes set up tolerance, line regulation and load regulation.
4. Line regulation is measured from low line to high line at rated load.
5. Load regulation is measured from 0% to 100% rated load.
6. Specification subject to change without notice.

⚡