

LXWV-060SXXXST-J20



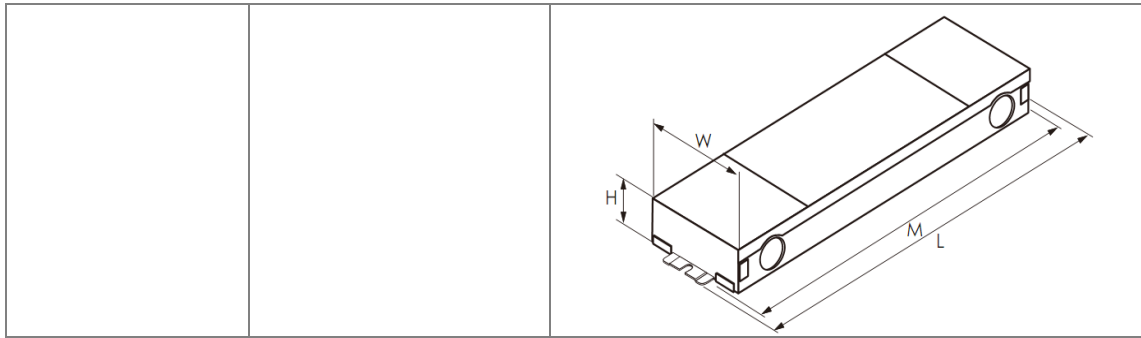
Constant voltage LED driver
Total power: 60W
Input voltage: 120~277Vac \pm 10%
Number of outputs: One
UL 8750 / UL Listed
IP20 design for dry and damp location
5 year warranty

ELECTRICAL SPECIFICATIONS:		ENVIRONMENTAL SPECIFICATIONS:	
Input voltage range:	120~277Vac \pm 10%	Operating temperature:	-30 to 60°C
Frequency:	50/60Hz	Storage temperature:	-40 to 85°C
Power factor:	>0.9 @full load, 120V through 277V	Humidity:	5% to 95%
Inrush current:	20A @230V	MTBF:	258,000 hours at 40°C ambient (~70°C Case temp)
Max input current:	0.94A @120V and 0.41A@277V	Maximum case Temperature	90°C
THD:	<20%		
Protection:	Over current and Short circuit		
Withstand voltage	I/P – O/P 2k Vac		

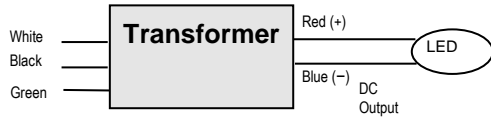
PRODUCT SPECIFICATIONS:							
Model Number	Max output power	Output Current	Output Voltage	Efficiency	Remote mounting distance (#18 AWG)	Class 2	
						US	Canada
LXWV-060S012ST-J20	60W	0 - 5.0A	12V	84%	7ft	Yes	Yes
LXWV-060S024ST-J20	60W	0 – 2.5A	24V	85%	15 ft	Yes	Yes

SAFETY AND EMC COMPLIANCE:	
UL/cUL	UL 8750
FCC, 47CFR Part 15	Class B Consumer Limit
EN61000-3-2	

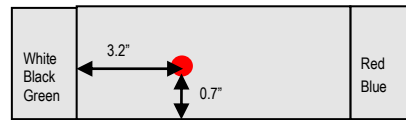
PHYSICAL DIMENSIONS:	
Length (L):	9.49"
Width (W):	3.00"
Height (H):	1.30"
Mounting (M):	9.06"
Weight:	1.1 kg
WIRE SPECIFICATIONS:	
Input:	12", UL 1316 #18AWG (White, Black and Green)
Output:	12", UL 1316/1430 #18AWG (Red and Blue)



WIRING DIAGRAM:



HOTTEST SPOT LOCATIONS:



LIFETIME / CASE TEMP:

