

LXLCT040 Series



Constant current LED driver
Total power: 40W
Input voltage: 120Vac ± 10%
Number of outputs: One
UL 8750
IP20 or IP66 design
Dimmable with trailing edge dimmer
5 year warranty

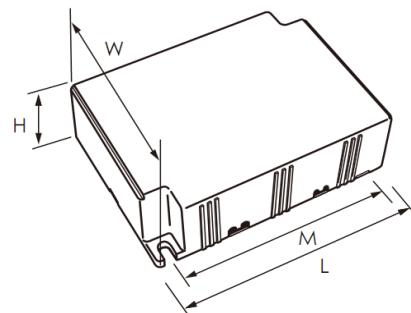
ELECTRICAL SPECIFICATIONS:		ENVIRONMENTAL SPECIFICATIONS:	
Input voltage range:	120Vac ± 10%	Operating temperature:	-30 to 60°C
Frequency:	50/60Hz	Storage temperature:	-40 to 85°C
Power factor:	>0.9 @full load, 120V through 277V	Humidity:	5% to 95%
Inrush current:	7A @230V	MTBF:	302,000 hours at 40°C ambient (~70°C Case temp)
Max input current:	0.44A @120V and 0.20A @277V	Maximum case Temperature	90°C
THD:	<20%		
Protection:	Over voltage, Over current and Short circuit		
Withstand voltage	I/P – O/P 2k Vac		

PRODUCT SPECIFICATIONS:							
Model Number	Max output power	Output Current	Output Voltage	Efficiency	Remote mounting distance (#18 AWG)	Class 2	
						US	Canada
LXLCT040S035PS	40W	350mA	42 - 126V	87%	109 ft		
LXLCT040S050PS	40W	500mA	27 - 80V	87%	76 ft		
LXLCT040S080PS	40W	800mA	17 - 50V	87%	48 ft	√	
LXLCT040S200PS	40W	2000mA	10 - 20V	87%	19 ft	√	√

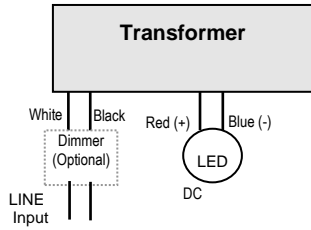
SAFETY AND EMC COMPLIANCE:	
UL/cUL	UL 8750
FCC, 47CFR Part 15	Class B Consumer Limit
EN61000-3-2	

PHYSICAL DIMENSIONS:	
Length (L):	3.76"
Width (W):	2.81"
Height (H):	1.26"
Mounting (M):	3.34"
Weight:	0.36 kg

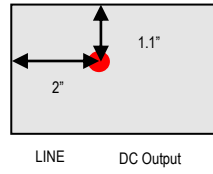
WIRE SPECIFICATIONS:	
Input:	12", UL 1316 #18AWG (White and Black)
Output:	12", UL 1569 #18AWG (With Non-Class 2 output) 12", UL1430 #22AWG (With Class 2 output) (Red and Blue)



WIRING DIAGRAM:



HOTTEST SPOT LOCATIONS:



LIFETIME / CASE TEMP:

