

■ Features



- Supply Voltage: 180-528Vac
- Efficiency up to 90%
- Optional dimming function: 0-10V, PWM, Resistor; Timing
- IP65 rated; Suitable for Dry, Damp and Wet Locations
- Protections: SCP, OTP, OVP
- Metal case with full potted for hazardous scenarios
- Surge Protection: L/N-PE: 4KV, L-N 2KV
- Class 2 / Selectable Output Switch
- 5 years warranty

■ Applications

L3HCP100 series are constant current LED driver with input voltage 180-528Vac and high power factor. They are specifically designed for high bays with dim to off, low standby power, high efficiency, compact housing and good thermal management, which greatly enhance the reliability and lifespan. Comprehensive protections, including Over Voltage Protection, Short Circuit Protection and Over Temperature Protection, ensure proper functioning

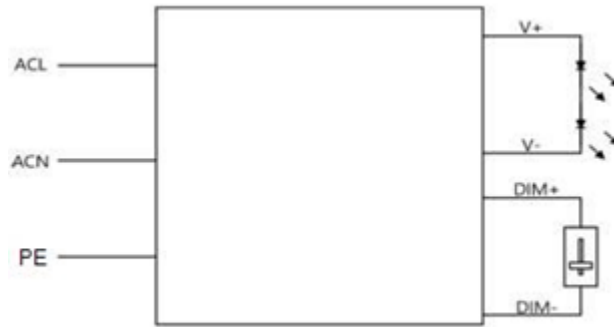
■ Model List

Model	O/P Voltage	O/P Current	Max. O/p Power	O/P Current Tolerance	THD (Typ.)	PF (Typ.)	Efficiency (Typ.)
L3HCP100S300ST	24-42V	1.7-3.0A	96W	+/- 5%	10%	0.95	89%
L3HCP100S240ST	32-58V	13.-2.4A	96W	+/- 5%	10%	0.95	90%

Note:

1. Default Tested at 347Vac, full load, Ta 25°C.
- 2- With 3-in-1 dimming (0-10V, PWM, Resistor);
- 3- Optional model with timing control.

■ Wiring Diagram / Dimming



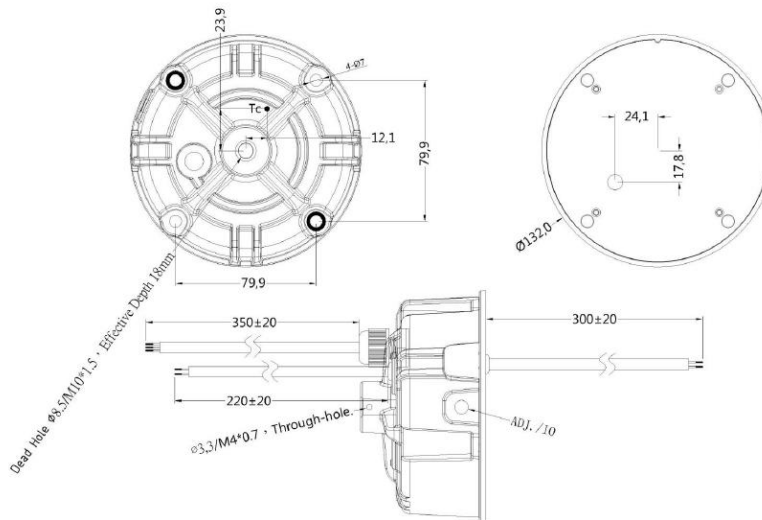
■ Input Characteristics

Parameter	Min	Typ.	Max	Remarks
Rated AC input range	200Vac		480Vac	
AC input range	180Vac		528Vac	
Input frequency range	47Hz		63Hz	
Max input current			0.8A	180Vac, full load
Inrush current			60A	347Vac/50Hz, cold start
No load power		2W	3W	347Vac/50Hz, No load
Power factor	0.93	0.95		347Vac/50Hz, full load
	0.90			200-480Vac/50Hz, 80-100% Load
THD		10%	12%	347Vac/50Hz, full load
			25%	200-480Vac/50Hz, 70-100% Load

■ Safety Compliance

Certification		Standard	Status	Remark
UL/CUL		UL8750	✓	
CE		EN 61347-2-13:2014 EN61347-1:2008+A1:2011+A2:2013	✓	
Item	Standard		Remark	
Insulation strength	Input-output	3200Vac/5mA Max/60s	Reinforced insulation	
	Primary-Earth	1600Vac/5mA Max/60s	Basic insulation	
	Sec.- Earth	1000Vac/5mA Max/60s	Function insulation	
Insulation resistance	Input-output	≥ 10 MΩ	Testing Voltage: 500Vdc	
Ground resistor		≤ 0.1 Ω	25A/1min	
Leakage current		≤ 0.75mA	480Vac	
Item	Criterion		Remark	
Conduction Emission		EN55015:2013+A1:2015		
Radiation Emission		EN55015:2013+A1:2015		
Harmonic Current Emissions		IEC/EN 61000-3-2	Class C	
Surge		IEC/EN61000-4-5	Difference mode 2KV, Common mode 4KV Criterion B	

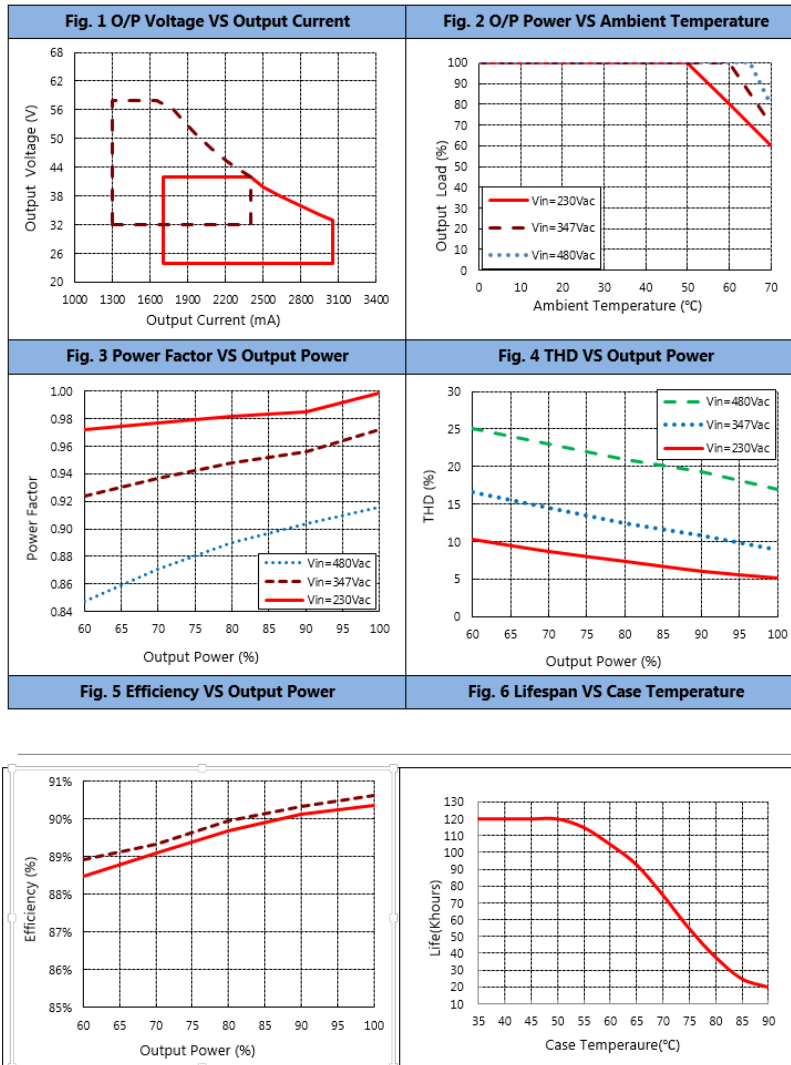
■ Mechanical Design



Input Wire: UL STW #18AWG, 3 X 0.824MM², O.D. 9MM, GREEN: PE, BLACK: L, WHITE: N
 Output Wire: UL SJTW #14AWG 2X2.08MM², O.D. 9MM, RED: V+, BLACK: V-
 Dim Wire: STYLE 2733, #22AWG O.D. 5.0MM, PURPLE: DIM+, GRAY: DIM-

Technical Sales / Customer Service: +1-818-338-7788 • Email: Sales@autec.com
 31328 Via Colinas Suite 102 • Westlake Village, California 91362 USA • www.autec.com

Performance Curves:



■ Dimming:

0-10V Dimming & PWM (Typ.)

Voltage Range	1V	2V	3V	4V	5V	6V	7V	8V	9V	10V	OPEN
Rated current percentage	10%	20%	30%	40%	50%	60%	70%	80%	90%	100%	95%-108%

PWM duty	10%	20%	30%	40%	50%	60%	70%	80%	90%	100%	OPEN
Rated current percentage	10%	20%	30%	40%	50%	60%	70%	80%	90%	100%	95%-108%

Resistor(Typ.)

Resistor	10KΩ	20KΩ	30KΩ	40KΩ	50KΩ	60KΩ	70KΩ	80KΩ	90KΩ	100KΩ	OPEN
Rated current percentage	10%	20%	30%	40%	50%	60%	70%	80%	90%	100%	95%-108%

