



Model: HP3200-1051-MAC

Total Power	3000 Watts
Input Voltages	180-523VAC Single Phase or 3 Phase Delta or Y Configurations
Outputs	Single plus 12VSB

SPECIAL FEATURES

- Adjustable Output Voltage (4.5V – 13V)
- Active Power Factor Correction
- Redundant operation
- Single Phase or Three Phase Delta or Y Input
- Single wire current sharing
- Configurable for operation in series or parallel
- PS ON
- DC OK
- I²C interface PMBus Compatible
- Variable fan speed control
- UL, CUL, and DEMKO *Approval to be obtained*
- CE compliant
- **Custom modifications available**

ENVIRONMENTAL SPECIFICATIONS

Humidity: Up to 95% non-condensing

Storage Temperature: -20° to +85°C

Temperature coefficient: ±0.01% /°C

Ambient Operating Temperature: 0 to +50°C continuous duty, full rating. Derate linearly to 50% of full rating at +71°C.

Cooling: Self contained fan cooling.

SAFETY APPROVALS, to be obtained

UL 60950-1 Second Edition
 CUL 60950-1 Second Edition
 DEMKO EN60950-1 Second Edition

ELECTRICAL SPECIFICATIONS

Input Specifications

Input Range..... 180 - 523VAC Single or
3 Phase

Frequency..... 47-63 Hz

EMI filter..... EN55022 Class A, FCC
Part 15

Inrush Current..... <32A @ 480VAC

Input Current..... 19A @ 180VAC

Isolation (Input to Output)..... 4242 VDC

Efficiency..... 93%

Active PFC..... 0.99

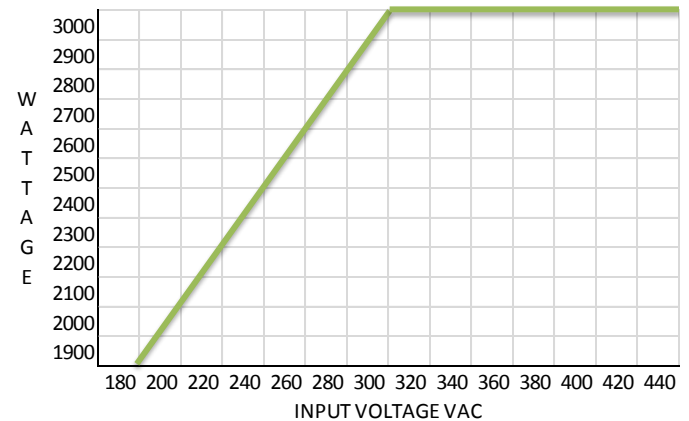
Switching Frequency..... 82 KHz.

Leakage..... ≤3.5mA

Output Specifications

DC Output..... Maximum continuous
output power 3000 Watts with self-contained fan cooling.

Power Derating Curve:



Line Regulation..... ±0.2%

Load Regulation..... ±1% on both outputs

Ripple and Noise..... 1% Pk to Pk

Transient Response..... 2% Maximum deviation;
returns to initial condition in 1 msec max.

Model: HP3200-1051-MAC

ELECTRICAL SPECIFICATIONS (CONT')

Output Specifications

Long Term Stability..... 0.01% after 20 minute warm-up.

Hold-Up Time..... 16msec minimum

OVP.....115% to 135% on both outputs

Short-circuit Protection.....Constant current with delayed latching method on the primary output. The 12V standby utilizes the hiccup method.

Overload Protection.....Constant current with delayed latching method on the primary output. The 12V standby utilizes the hiccup method. The constant current method allows for a 5-second delay before the power supply shuts down if the output current rating exceeds 110% to 130% of maximum rated output current. The input must be recycled manually or may be digitally reset.

FET Isolation..... Internal FET isolation provided for N+1 redundant operation.

Current Sharing.....Outputs will current share within 5% when interconnected by a single wire.

Voltage Adjustment..... A potentiometer located on the face plate allows voltage adjustment from 4.5V - 13V.

PS On.....The secondary outputs are enabled only upon mating a shorter enable pin to output common on the customer's backplane.

DC OK.....A TTL low signal provides a 4ms warning prior to DC outputs dropping out of regulation.

Fault..... A digital signal provides warning of output voltage below 90% of nominal, fan fault or over temperature.

Over Temperature ProtectionThe power supply will shut down if temperature is greater than 115°C (internal temperature). The power supply is self recovering once the internal temperature falls below 71°C.

AC Okay..... A TTL high logic signal is provided when the input voltages are within normal operating conditions.

I²C/PMBUS (Optional).....Monitors temperature, output voltage, input voltage, input current, and output current; controls Fan speed, Fan LED and connects to a serial NVRAM which is programmed with serial number. PMBUS software allows monitoring of overall operation of power supply.

AC_OK_COM..... Allows all power supplies connected in series to turn on simultaneously.

DC_OK_COM.....Monitors all power supplies connected in series. All power supplies will turn off if any in the series shut down. AC must be reset to turn on.

OVERALL MECHANICAL DIMENSIONS

11.5" L x 8.0" W x 1.58" H
(292.1mm x 203.2mm x 40.2mm)

PIN ASSIGNMENTS

See Attached Hook-Up Drawing

CONNECTOR

Output..... Bus Bars
Input Dinkel DT-7N-B01W-05

NOTES

- Specifications subject to change without notice.
- All dimensions in inches/mm
- Warranty: 2 years
- Weight: Approx. 8lbs

MODEL No. / OUTPUT VOLTAGE / CURRENT RATINGS CHART

Model No.	O/P Voltage (Vdc)	Minimum	Maximum
HP3200-1051-MAC	4.5V-13V*	0A	250.0A
	12VSB	0A	2.0A

* Voltage is adjustable from, maximum amperage on any voltage is 250A when input voltage is greater than 300VAC. See derating curve for input voltages less than 300VAC

HP3200-1051-MAC Spec – 041213

AUTECH POWER SYSTEMS

IN/OUTPUT RATING & PIN ASSIGNMENT

MODEL NO. : HP3200-1051-MAC

INPUTS :

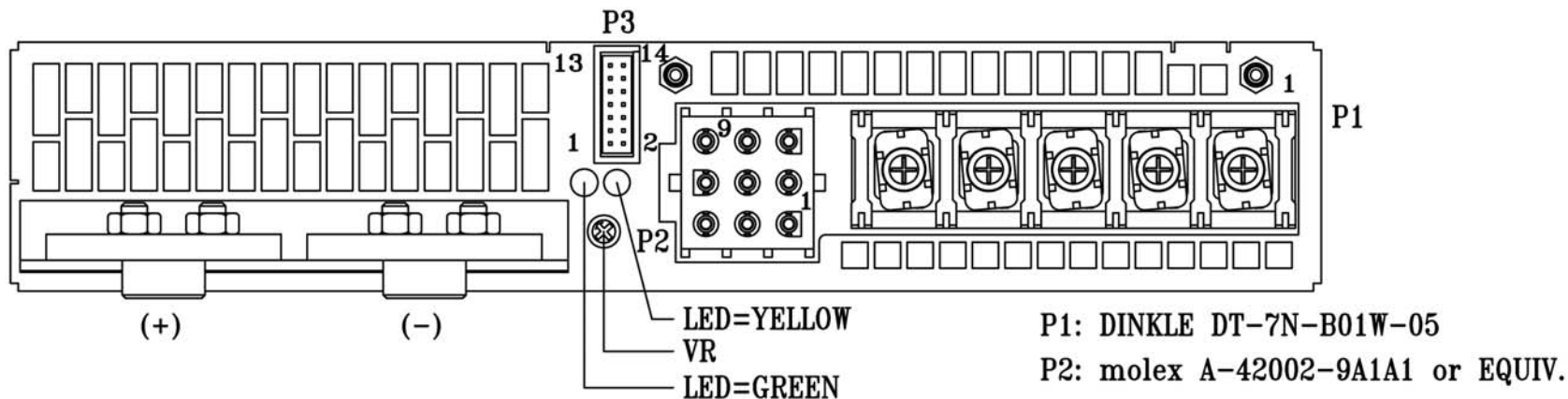
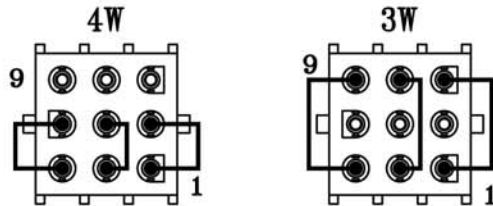
ASSIGNMENT	A.C. VOLTAGE	CURRENT	PIN NBR
L1 (R):	208-240V~		P1-5
L2 (S):	or		P1-4
L3 (T):	380, 480V~		P1-3
N:	or		P1-2
G (FG):	208V~ (3-phase)	50-440Hz	P1-1

OUTPUTS :

ASSIGNMENT	D.C. VOLTAGE	CURRENT	PIN NBR
VO1(+):	+12V ---	250A	BUS BAR (+)
VO1(-):	DC COM		BUS BAR (-)
COM:			TBD
AC_OK:			TBD
+12VS:			TBD
DC_OK:			TBD
-12VS:			TBD
PS_ON:			TBD
+12VCS:			TBD
DC_OK_COM			TBD
AC_OK_COM			TBD
12VSB:	12VSB		TBD
SDA_1:			TBD
SCL_1:			TBD

MAXIMUM OUTPUT POWER: 3000W

INPUT (4W or 3W CONNECTOR)=P2



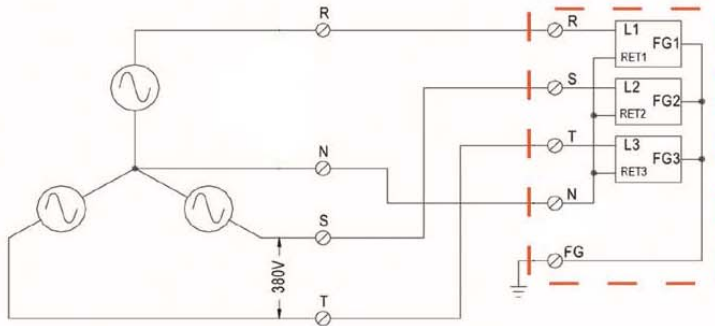
SIZE : A4	FM-4000-34/REV.A-080502'
UNIT : mm[inches]	FILENAME: PPSC0603
REV. NO.: A	DATE : 12. 20. 2012
DRAWN: 洪麗珍 L. J. Hun	CHECKED:

Autec Power Systems

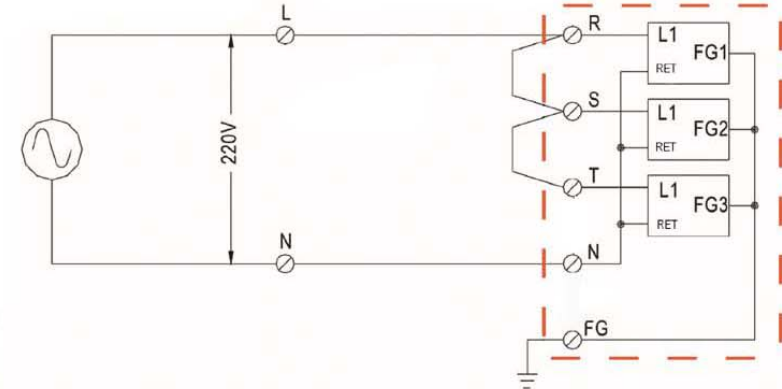
HP3200-1051-MAC

Input Configuration Hook-Ups

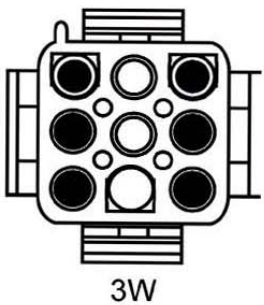
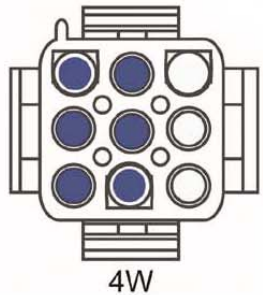
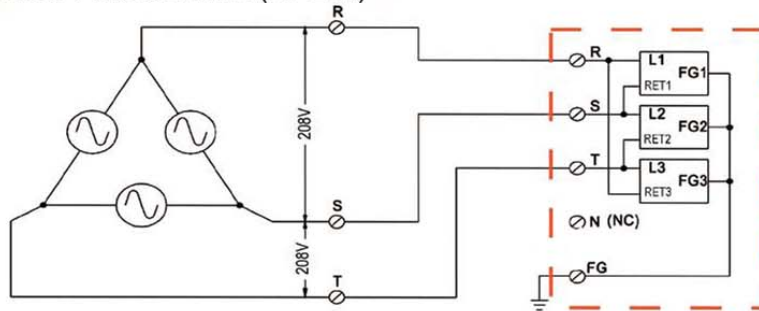
200 - 480VAC
 Three Phase 4 Wire "4W" CONNECTOR ONLY



200 - 480VAC
 Single Phase "4W" CONNECTOR ONLY



200-480VAC
 Three Phase 3 Wire (DELTA) "3W" CONNECTOR ONLY



**POWER SUPPLY IS
 HOT SWAPPABLE**