

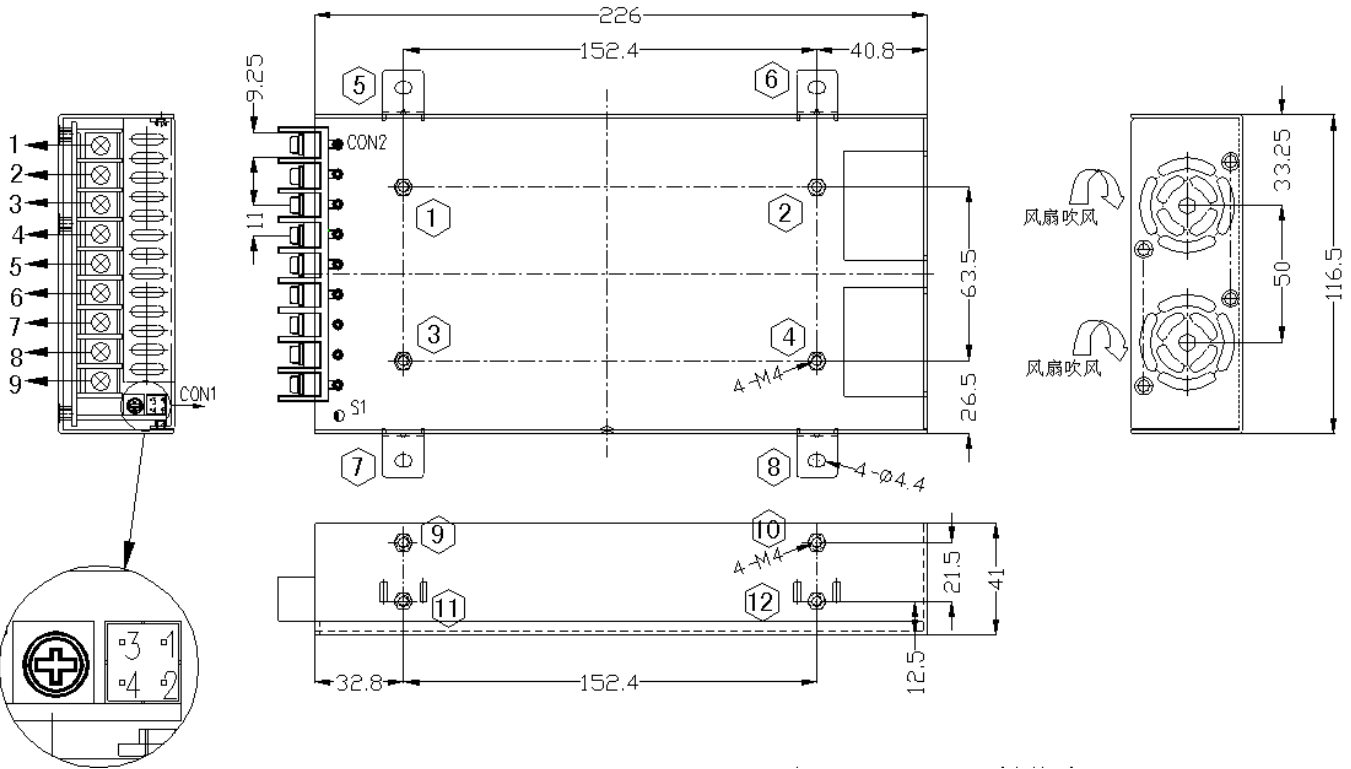


Features:

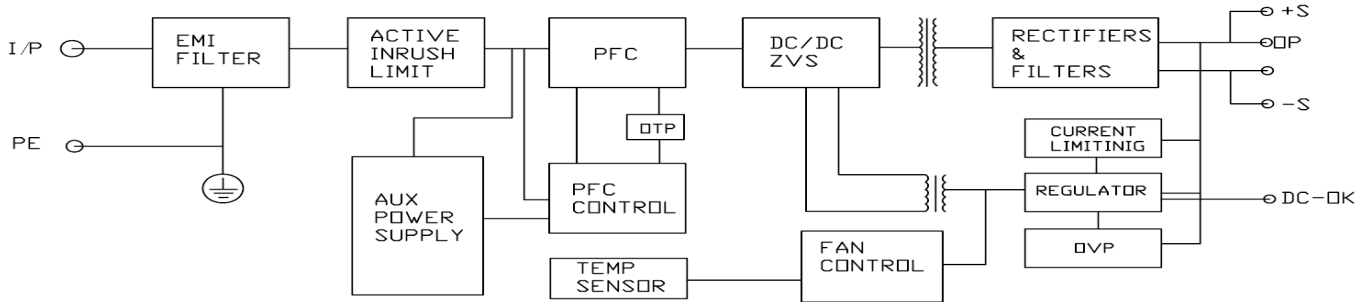
- Universal AC input/ Full range
- Built-in active PFC function, PF>0.96
- Using ZVS technology to reduce power dissipation
- Output protection: OVP/OLP/SCP/OPP/OTP
- Built in Fan speed control
- Built in AC inrush current limiting circuit(<20A)
- Build in constant current limiting circuit
- Built in Remote Sense Function
- Build in DC OK signal
- Wide operating ambient temperature (-30℃~70℃)
- Conformal coating at PCB both sides
- 1 U low profile,41mm
- 3 years warranty

MODEL	SPL-800-1241	SPL-800-1271	SPL-800-1481	SPL-800-1521	
OUTPUT	DC Output	24V	27V	48V	52V
	Rated Current (100~127Vac)	27A	23A	14A	12A
	Rated Current (128~264Vac)	33A	29A	16.5A	15A
	Ripple and Noise Note 2	≤200mV	≤240mV	≤240mV	≤360mV
	Voltage ADJ. Range	-5%~+10% of rated output voltage			
	Voltage Accuracy	±2%			
	Line Regulation	±0.5%			
	Load Regulation	±2%			
	Set-up Time	≤3S (220Vac input, Full load)			
	Hold up Time	≥8mS (220Vac input, Full load)			
	Temperature Coefficient	±0.03%/℃			
Overshoot and Undershoot	<5.0%				
INPUT	Voltage Range	90Vac~264Vac			
	Frequency Range	47Hz~63Hz			
	Power Factor(Typical)	PF≥0.96/230VAC	PF≥0.98/115VAC	Full Load	
	Efficiency (Typical)	≥88%	≥88%	≥89%	≥89%
	AC Current (max.)	≤12 A			
	Inrush Current (Typical)	≤20A @220Vac Cold start			
	Leakage Current	Input—output: ≤0.25mA Input—PG: ≤3.5mA			
PROTECTION	Over Load	110%~135% of rated output current, constant current, auto recovery			
	Over power	110%~135% of rated output power, constant current, auto recovery			
	Over Temperature	105℃±5℃(detect on Mosfet temperature);shut down,auto recovery after the temperature goes down to 70℃			
	Over Voltage	110%~150% of rated output voltage, constant voltage, auto recovery			
	Short Circuit	Long-term mode, constant current, auto recovery			
ENVIRONMENT	Operating amb. Temp. & Hum.	-30℃~70℃; 20%~90%RH No condensing (refer to derating curve)			
	Storage Temp. & Hum.	-40℃~85℃; 10%~95%RH No condensing			
SAFETY & EMC (Note 3)	Safety Standards	UL60950-1 2nd Ed; IEC 60950-1:2005(2nd Ed) ;EN60950-1:2006			
	Withstand Voltage	Primary-Secondary:3.0KVac; ≤10mA .Primary-PG:1.5KVac; ≤10mA. Secondary-PG:0.5KVac;≤10mA.			
	Isolation Resistance	≥100M ohms			
	EMI Conduction&Radiation	Compliance to EN55022, Class B			
	Harmonic Current	Compliance to EN61000-3-2,Class D			
OTHERS	EMS Immunity	Compliance to EN61000-4-2,3,4,5,6,8,11; heavy industry level			
	MTBF (MIL-HDBK-217F)	More than 200,000Hrs (25℃, Full load)			
	Dimension (L*W*H)	226×116.5×41mm			
	Packing	6PCS/CTN, 8.9KGS, 0.04CBM			
NOTE	Cooling method	Fored air cooling(Built-in fan,the fan speed is controlled by load and internal temp.)			
		1. All parameters NOT specially mentioned are measured at rated input, rated load and 25℃ of ambient temperature. 2. Measured at 20MHz of bandwidth by using a 12" twisted pair-wire terminated with a 0.1 uF & 47uF parallel capacitor. 3. The SMPS is considered a component which will be installed into final equipment. The equipment must be re-confirmed that it still meets EMC directives.			

■ **Mechanical Specification** Unit:mm



■ **Block Diagram**



■ **Derating curve**

