

Constant current LED driver
Total power: 14W
Input voltage: 120~277Vac ± 10%
Number of outputs: One
UL 8750
IP20 design for dry and damp location
Dimmable with 0-10V dimmer
5 year warranty



ELECTRICAL SPECIFICATIONS	
Input voltage range:	120~277Vac ± 10%
Frequency:	50/60Hz
Power factor:	> 0.9 under 120~277Vac input with 80~100% load condition (for all output currents)
Inrush current:	7A @230V
Max input current:	0.15A @120V, 0.09A @240V and 0.08A @277V
THD:	< 20% under 120~277Vac input with 80~100% load condition (for all output currents)
Load Regulation:	± 2%
Line Regulation:	± 1%
Voltage Tolerance:	± 5% at full load condition
Turn-on Delay Time:	< 0.75s at full load condition
Overshoot:	< 10% at full load condition
No Load Power Consumption:	< 1W
Ripple & Noise (pk-pk):	< 10%
Withstand voltage:	Input to output, 2,800Vdc, 2mA
Leakage current:	Maximum 0.5mA at 277Vac, 60Hz input
Protection:	Over voltage protection: Hiccup mode. Protection will trigger when load voltage exceed specified output voltage and will auto recover after the fault mode is removed. Over current protection: Hiccup mode. Protection will trigger when load current exceed specified output current and will auto recover after the fault mode is removed. Short circuit protection: Hiccup mode. Protection will trigger when short circuit and will auto recover after the fault mode is removed.

ENVIRONMENTAL SPECIFICATIONS	
Operating temperature:	-40 to 60°C
Storage temperature:	-40 to 85°C
Humidity:	5% to 95%
MTBF:	510,000 hours at 40°C ambient (~70°C Case temp)
Life rating:	85,000 hours at 120Vac input, 100% load and 60°C case temperature
Maximum case Temperature :	90°C

SAFETY AND EMC COMPLIANCE	
UL/cUL	UL 8750
CE	EN61347-1, EN61347-2-13
FCC, 47CFR Part 15	ANSI C63.4:2009 Class B (Consumer Limit)
EN61000-3-2	Harmonic Current Emissions Class C

PRODUCT SPECIFICATIONS

Model Number	Max output power	Output Current	Output Voltage	OCV	Efficiency at 120V (Typ.)	Efficiency at 240V (Typ.)	Efficiency at 277V (Typ.)	Remote mounting distance (#18 AWG)	Class 2	
									US	Canada
LXWCD014S026WS-20	14W	260mA	27-54V	58V	82%	81%	81%	147 ft	✓	
LXWCD014S030WS-20	14W	300mA	23-47V	51V	82%	81%	81%	128 ft	✓	✓
LXWCD014S035WS-20	14W	350mA	20-40V	44V	82%	81%	81%	109 ft	✓	✓
LXWCD014S038SW-20	14W	380mA	18-36V	40V	82%	81%	81%	101 ft	✓	✓
LXWCD014S040SW-20	14W	400mA	18-35V	39V	82%	81%	81%	96 ft	✓	✓
LXWCD014S045SW-20	14W	450mA	15-30V	34V	82%	81%	81%	85 ft	✓	✓
LXWCD014S050SW-20	14W	500mA	14-28V	32V	82%	81%	81%	76 ft	✓	✓
LXWCD014S060SW-20	14W	600mA	12-24V	28V	82%	81%	81%	64 ft	✓	✓
LXWCD014S070SW-20	14W	700mA	12-20V	24V	82%	81%	81%	54 ft	✓	✓

PHYSICAL DIMENSIONS

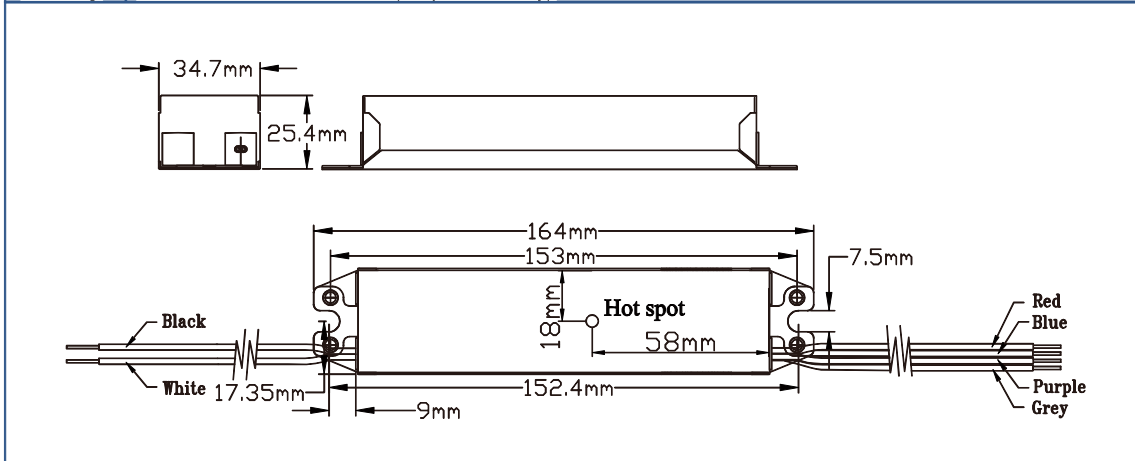
Length (L):	6.46" (164mm)
Width (W):	1.37" (34.7mm)
Height (H):	1.00" (25.4mm)
Mounting (M):	6.00" (152.4mm)

PACKAGING

0.23kg / unit ; 50pcs / carton ; 2,000pcs / pallet	
Carton size:	430 x 245 x 160 mm
Carton weight:	15 kg
Case Material:	Metal

WIRE SPECIFICATIONS

Input:	12", UL 1316 #18AWG (Black and White)
Output:	12", UL 1569 #18AWG (with Non-Class 2 output) 12", UL 1430 #22AWG (with Class 2 output) (Red and Blue)
Dimming:	12", UL 1569/1430 #22AWG (Purple and Grey)



WIRING DIAGRAM

