

# LXWC-022SXXXSS-20

## FEATURES

## LXWC-022S Series

- .Constant current LED driver
- .Total power: 22W
- .Input voltage: 120~277Vac  $\pm$  10%
- .Number of outputs: One
- .UL 8750
- .IP20 design for dry and damp location
- .5 year warranty



## SPECIFICATIONS

Model # (2)	Output Current (mA)	Voltage Range	Max. Output Power	Efficiency (Typ.)
LXWC-022S035SS-20	350	21-63V	22W	80%
LXWC-022S040SS-20	400	18-55V	22W	81%
LXWC-022S050SS-20	500	14-44 V	22W	81%
LXWC-022S060SS-20	600	12-36V	22W	81%
LXWC-022S070SS-20	700	10-32V	22W	81%
LXWC-022S080SS-20	800	9-28V	22W	81%
LXWC-022S090SS-20	900	8-24V	22W	81%
LXWC-022S100SS-20	1000	8-22V	22W	81%
LXWC-022S110SS-20	1100	7-20V	22W	81%
LXWC-022S120SS-20	1200	7-18V	22W	81%
LXWC-022S130SS-20	1300	7-17V	22W	81%
LXWC-022S140SS-20	1400	7-16V	22W	81%
LXWC-022S150SS-20	1500	7-15V	22W	81%
LXWC-022S154SS-20	1540	7-14V	22W	81%
LXWC-022S160SS-20	1600	7-14V	22W	81%

Output	Load Regulation	$\pm$ 2%
	Line Regulation	$\pm$ 1%
	Voltage Tolerance	$\pm$ 5%
	Turn-on Delay Time	<0.75s at Full Load Condition
	Overshoot	<10% at Full Load Condition
	No Load Power Consumption	<1W
	Ripple & Noise (pk-pk)	<10%

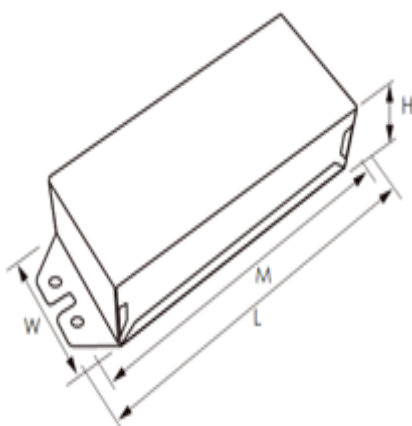
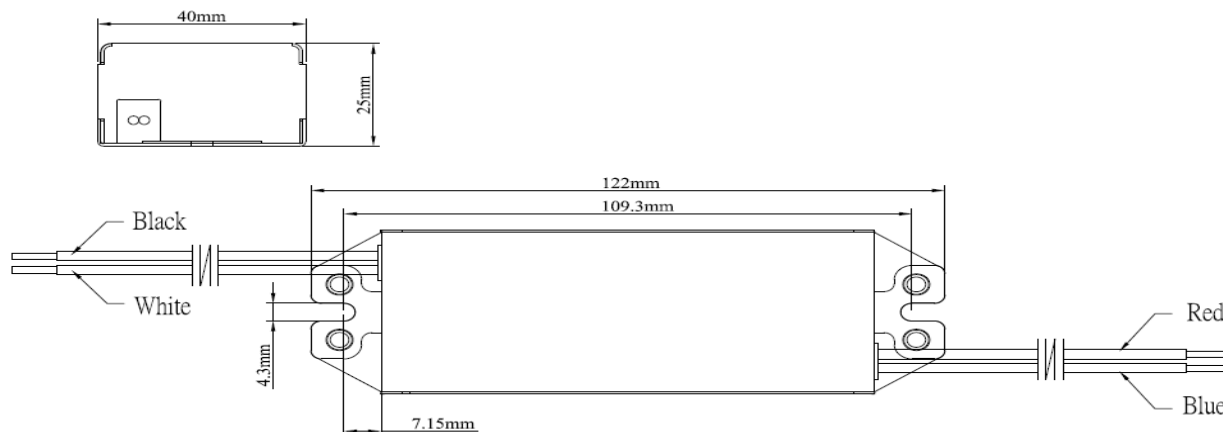
# LXWC-022SXXXSS-20

<b>Input</b>	<b>Input voltage</b>	120~277Vac ± 10%
	<b>Frequency Range</b>	50/60Hz
	<b>AC Current (Typ.)</b>	0.26A @ 120V and 0.12A @ 277V
	<b>THD</b>	<20% with 120~277 VAC and 80-100% Load Condition
	<b>Power Factor</b>	>0.9 @ 80~100 load, 120~277VAC for all models

<b>Protections</b>	<b>Short Circuit</b>	Hic-Up mode, Auto recover when fault condition is removed
	<b>Over Load</b>	Hic-Up mode, Auto recover when fault condition is removed
	<b>Over Voltage</b>	Hic-Up mode, Auto recover when fault condition is removed

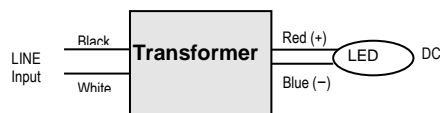
<b>Environmental</b>	<b>Temperature Range</b>	<b>Operational</b>	-30 to 60°C
		<b>Storage</b>	-40 to 85°C
	<b>Case Temperature</b>	90°C	
	<b>Humidity</b>	<b>Operational</b>	5% to 95%
<b>Safety &amp; EMC</b>	<b>Withstand Voltage</b>	Input to Output 2000Vdc,	
	<b>Safety Standards</b>	UL 8750, CUL	
	<b>EMI Conduction &amp; Radiati</b>	FCC, 47CFR Part 15 ANSI C63.4:2009 - Class B Consumer Limit	
	<b>EMC Immunity</b>	EN61347-1, EN61347-2-13, EN61000-3-2 Harmonic Current Emissions Class C	
<b>Others</b>	<b>MTBF</b>	376000 Hours	
	<b>Life time</b>	85000 Hours	
	<b>Dimension</b>	4.80" (L) * 1.58"(W) * 0.96 (H)	
	<b>Mounting</b>	4.29" (M)	
	<b>Weight</b>	0.22 Kg (0.485 Lb)	

# MECHANICAL DRAWING



Length (L):	4.80"
Width (W):	1.58"
Height (H):	0.96"
Mounting (M):	4.29"
Weight:	0.22 kg

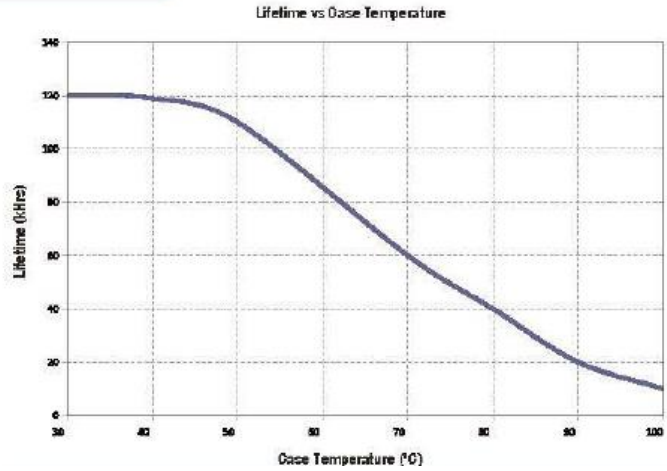
WIRE SPECIFICATIONS:	
Input:	12", UL 1316 #18AWG
Output:	12", UL 1569 #18AWG (with Non-Class 2 output)
	12", UL 1316/1430 #22AWG (with Class 2 output)



### CASE TEMPERATURE LOCATION:

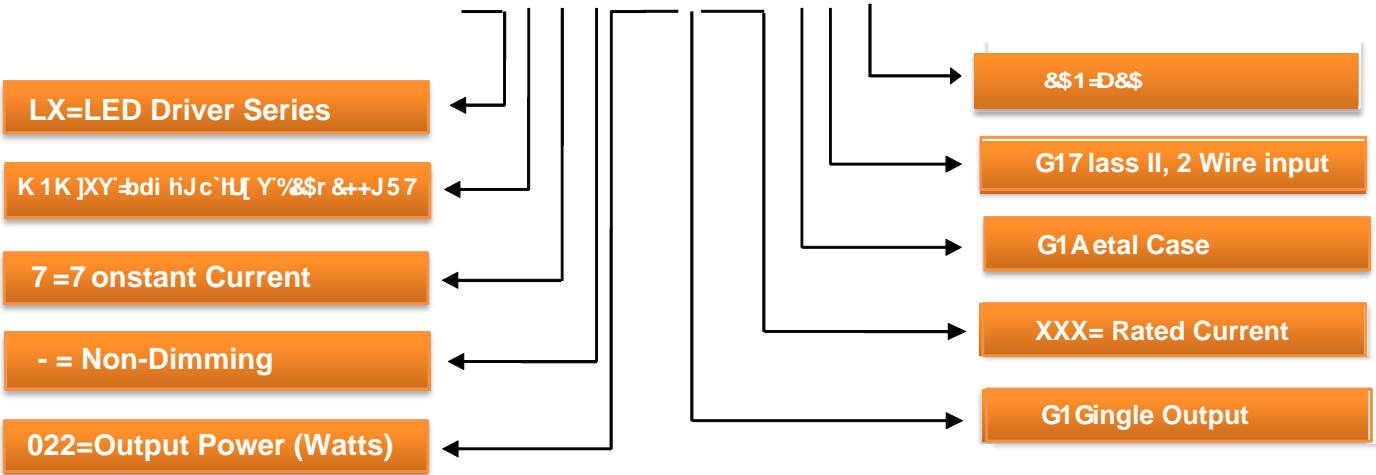


**Life Time vs. Case Temperature Curve**



**PART NUMBER SCHEME**

LXWC-022SXXXSS-20



SPECIFICATIONS ARE SUBJECT TO CHANGE WITHOUT NOTICE. AUTEC IS NOT RESPONSIBLE FOR ISSUES ARISING FROM ERRORS OR OMISSIONS.