

Constant current LED driver
Total power: 14W
Input voltage: 120~277Vac $\pm$ 10%
Number of outputs: One
UL 8750
IP20 design for dry and damp location
5 year warranty



## ELECTRICAL SPECIFICATIONS

Input voltage range:	120~277Vac $\pm$ 10%
Frequency:	50/60Hz
Power factor:	> 0.9 under 120~277Vac input with 80~100% load condition (for all output voltage)
Inrush current:	7A @230V
Max input current:	0.15A @120V, 0.08A @240V and 0.07A @277V
THD:	< 20% under 120~277Vac input with 80~100% load condition (for all output voltage)
Load Regulation:	$\pm$ 2%
Line Regulation:	$\pm$ 1%
Voltage Tolerance:	$\pm$ 5% at full load condition
Turn-on Delay Time:	< 0.75s at full load condition
Overshoot:	< 10% at full load condition
No Load Power Consumption:	< 1W
Ripple & Noise (pk-pk):	< 10%
Withstand voltage:	Input to output, 2,800Vdc, 2mA
Leakage current:	Maximum 0.5mA at 277Vac, 60Hz input
Protection:	Over voltage protection: Hiccup mode. Protection will trigger when load voltage exceed specified output voltage and will auto recover after the fault mode is removed. Over current protection: Hiccup mode. Protection will trigger when load current exceed specified output current and will auto recover after the fault mode is removed. Short circuit protection: Hiccup mode. Protection will trigger when short circuit and will auto recover after the fault mode is removed.

## ENVIRONMENTAL SPECIFICATIONS

Operating temperature:	-40 to 60°C
Storage temperature:	-40 to 85°C
Humidity:	5% to 95%
MTBF:	570,000 hours at 40°C ambient (~70°C Case temp)
Life rating:	80,000 hours at 120Vac input, 100% load and 60°C case temperature
Maximum case Temperature :	70°C

## SAFETY AND EMC COMPLIANCE

UL/cUL	UL 8750
CE	EN61347-1, EN61347-2-13
FCC, 47CFR Part 15	ANSI C63.4:2009 Class B (Consumer Limit)
EN61000-3-2	Harmonic Current Emissions Class C

## PRODUCT SPECIFICATIONS

Model Number	Max output power	Output Current	Output Voltage	OCV	Efficiency at 120V (Typ.)	Efficiency at 240V (Typ.)	Efficiency at 277V (Typ.)	Remote mounting distance (#18 AWG)	Class 2	
									US	Canada
LXWC-014S035PS	14W	350mA	15-40V	44V	81%	79%	78%	109 ft	✓	✓
LXWC-014S070PS	14W	700mA	10-20V	24V	82%	80%	79%	54 ft	✓	✓

## PHYSICAL DIMENSIONS

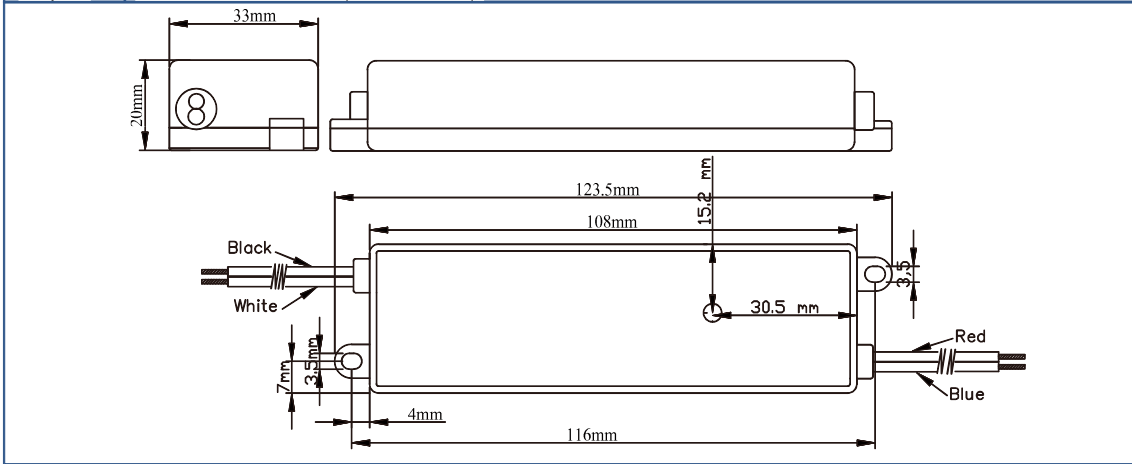
Length (L):	4.86" (123.5mm)
Width (W):	1.30" (33mm)
Height (H):	0.79" (21mm)
Mounting (M):	4.57" (116mm)

## PACKAGING

0.1kg / unit ; 40pcs / carton ; 3,120pcs / pallet	
Carton size:	330 x 200 x 135 mm
Carton weight:	4.5 kg
Case Material:	Plastic

## WIRE SPECIFICATIONS

Input:	12", UL 1316 #18AWG (Black and White)
Output:	12", UL 1316 #18AWG (Red and Blue)



## WIRING DIAGRAM

