

FEATURES

24W Constant Voltage LED Driver

LXLV-024 Series

- Input Voltage 120VAC +/- 10% Input
- Total Power 24W
- Protection : Over Current and Short Circuit
- IP20 Design for Dry and Damp Location
- 5 YEAR warranty; Sign Components manual (SAM)
- UL 8750/ UL Listed ; Type TL



SPECIFICATIONS

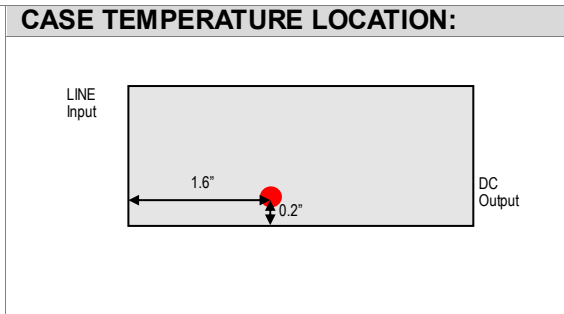
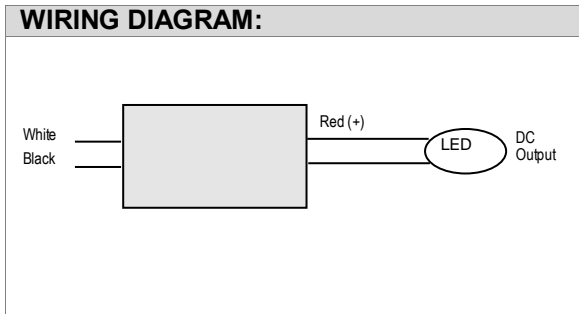
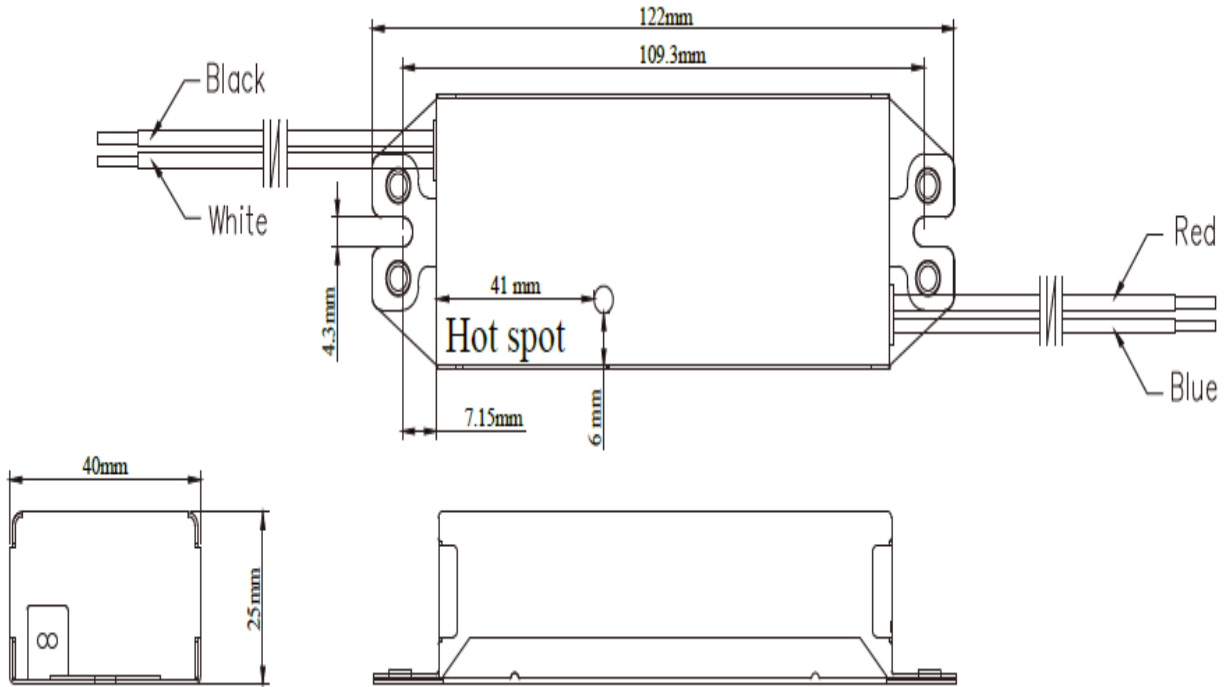
Model #	Output Current Range	Output Voltage	Max Output power	Remote mounting distance (#18 AWG)	Efficiency
LXLV-024S012SS-20	0 - 2A	12V	24W	19 ft	81%
LXLV-024S024SS-20	0 - 1A	24V	24W	38 ft	85%

Input	Voltage Range	120 Vac ±10%			
	Frequency Range	50/60Hz			
	Inrush Current	7A @ 120V			
	Power Factor	>0.9 @ full load , 120 through 277V			
	AC Current (Max.)	0.28A @120V			
	THD	<20%			
Output	Overshoot	<10% at full load condition			
	Voltage Tolerance	+/- 5% at full load condition			
	Load Regulation	+/- 2%			
	Line Regulation	+/- 1%			
	Ripple & Noise (pk-pk)	<10%			
	Leakage current	0.5mA max. at 120Vac			
Protection	Protection	Over Current: Hic-up Mode, Auto recovery when fault is removed.			
		Over Voltage: Hic-up Mode, Auto recovery when fault is removed.			
		Short Circuit: Hic-up Mode, Auto recovery when fault is removed.			
Withstand Voltage	I/P – O/P 2800 Vdc, 2mA				
Environmental	Temperature Range	Operational	- 40 ~ 60°C		
		Storage	- 40 ~ 85°C		
	Humidity	5 ~ 95% RH			
	Case Temperature (Max.)	90°C			

Safety & EMC	Safety Standards	UL8750 and UL879 Approved			
	EMC Immunity	EN61000-3-2, FCC, 47CFR Part 15 Class B(Consumer Limit)			
Others	MTBF	376,000 hours at 40°C ambient (~70°C Case temp)			
	Life Time	85,000 Hours at 120Vac input, 100% Load and 60 C case temp.			

Dimensions	(L*W*H*M) 4.80*1.58*0.96 & 4.29M inches / 122*40*25 & 109M millimeters
Weight	0.22kg

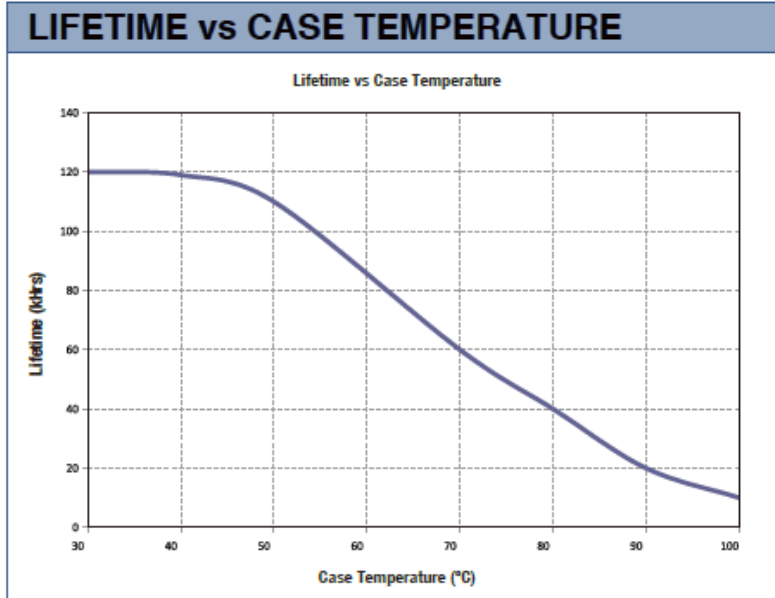
Mechanical Specification



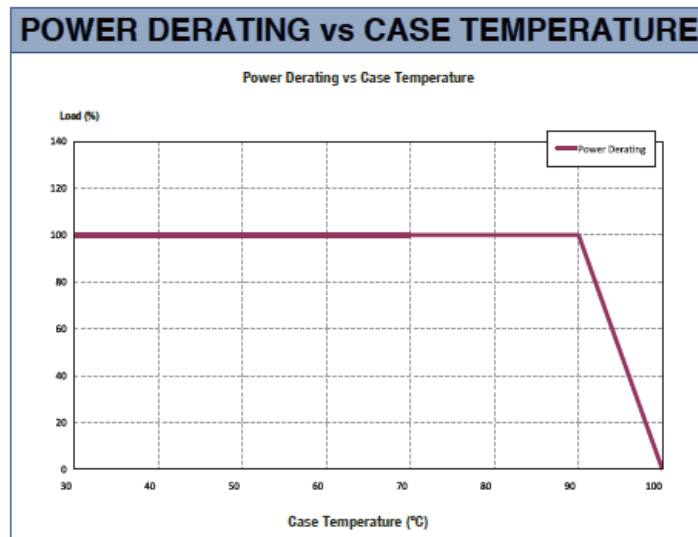
Wire Specification

Wire Specification	
Input	12", UL 1316 #18AWG (White, Black)
Output	12", UL 1316 #18AWG (Red and Blue)

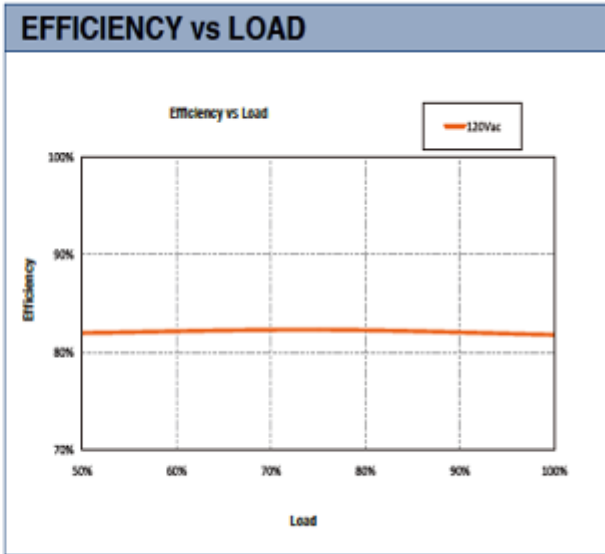
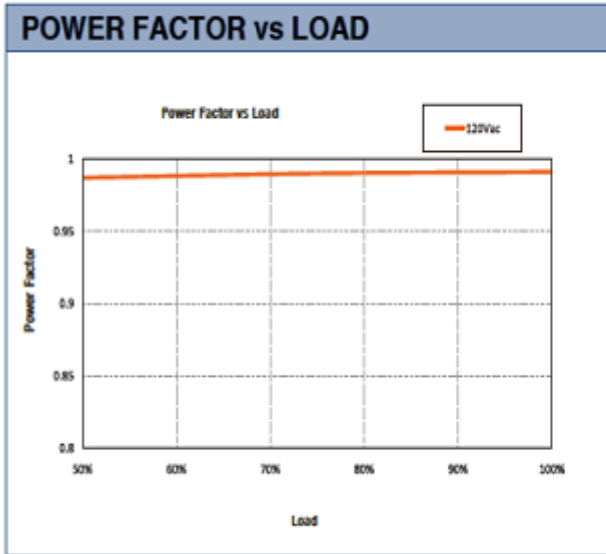
Life Time vs. Case Temperature Curve



Power derating vs. Case Temperature



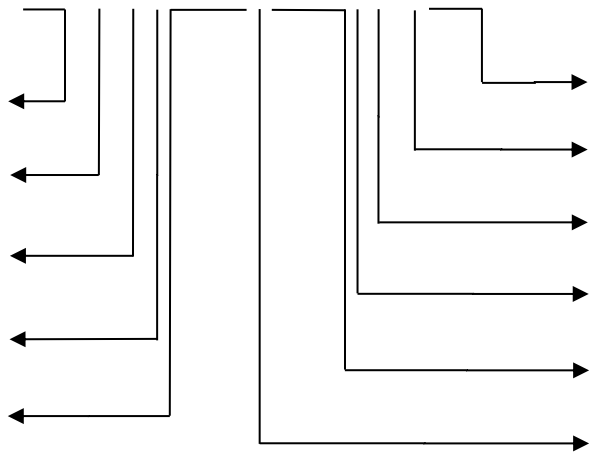
Load vs Power Factor & Efficiency



PART NUMBER SCHEME

LXLV-024SxxxSS-x20

- LX=LED Driver Series
- L= Input Voltage 120vac
- V= Constant Voltage
- = Non-Dimming
- 024= Output Power (Watts)



- 20= IP20
- X= J: Junction Box, N: W2 Narrow Metal Case, L: L5 Long Metal Case, W: White
- S= Class II, 2 Wire Input
- S= Metal Case
- xxx= Rated Voltage
- S= Single Output

SPECIFICATIONS ARE SUBJECT TO CHANGE WITHOUT NOTICE. AUTEC IS NOT RESPONSIBLE FOR ISSUES ARISING FROM ERRORS OR OMISSIONS